

SI-M1A-GT - Mounting frame

1407594

<https://www.phoenixcontact.com/us/products/1407594>

Please be informed that the data shown in this PDF document is generated from our online catalog. Please find the complete data in the user documentation. Our general terms of use for downloads are valid.



Mounting frame for one front plate/socket, plastic frame: black, plastic cover: gray, closed with rotary knob, included.

Commercial data

Item number	1407594
Packing unit	1 pc
Note	Made to order (non-returnable)
Sales key	BF70
Product key	AF7EAX
GTIN	4046356776066
Weight per piece (including packing)	122.6 g
Weight per piece (excluding packing)	122.6 g
Customs tariff number	39269097
Country of origin	CZ

SI-M1A-GT - Mounting frame

1407594

<https://www.phoenixcontact.com/us/products/1407594>

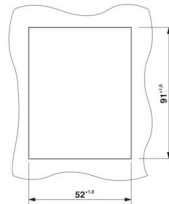


Technical data

Product properties

Product type	Mounting frame
Protective cover	yes

Dimensions

Dimensional drawing	
Width	66 mm
Depth	34.5 mm
Length	127 mm

Installation dimensions

Width of the assembly cutout	52 mm
Length of the assembly cutout	91 mm

Material specifications

Material Housing	PBT
Flammability rating according to UL 94	V0

Environmental and real-life conditions

Ambient conditions

Degree of protection	IP65
Ambient temperature (operation)	-30 °C ... 70 °C
Ambient temperature (storage/transport)	-30 °C ... 80 °C

Mounting

Assembly note	Suitable for panel thicknesses 1 mm ... 5 mm
---------------	--

SI-M1A-GT - Mounting frame

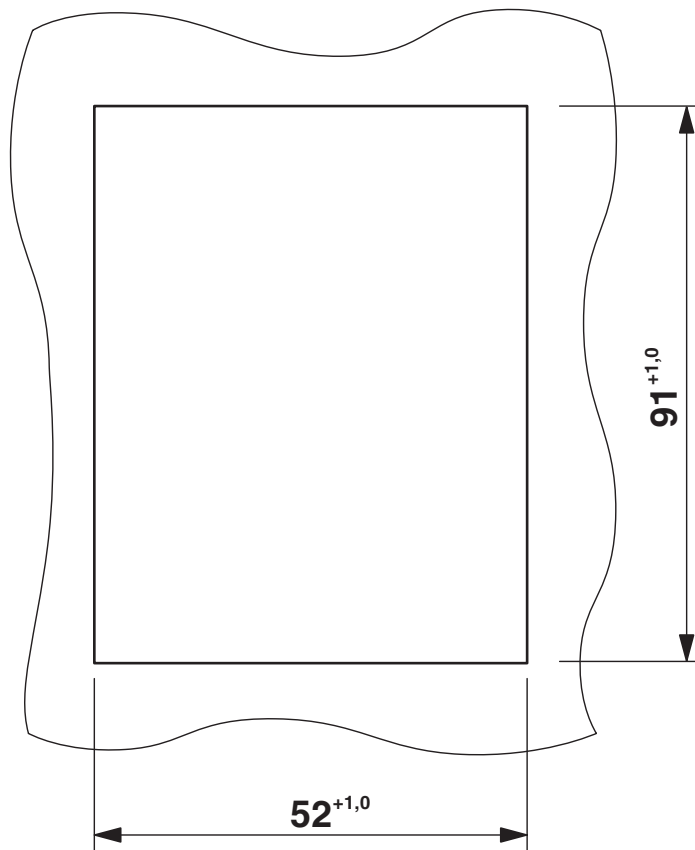
1407594

<https://www.phoenixcontact.com/us/products/1407594>



Drawings

Dimensional drawing



Mounting cutout

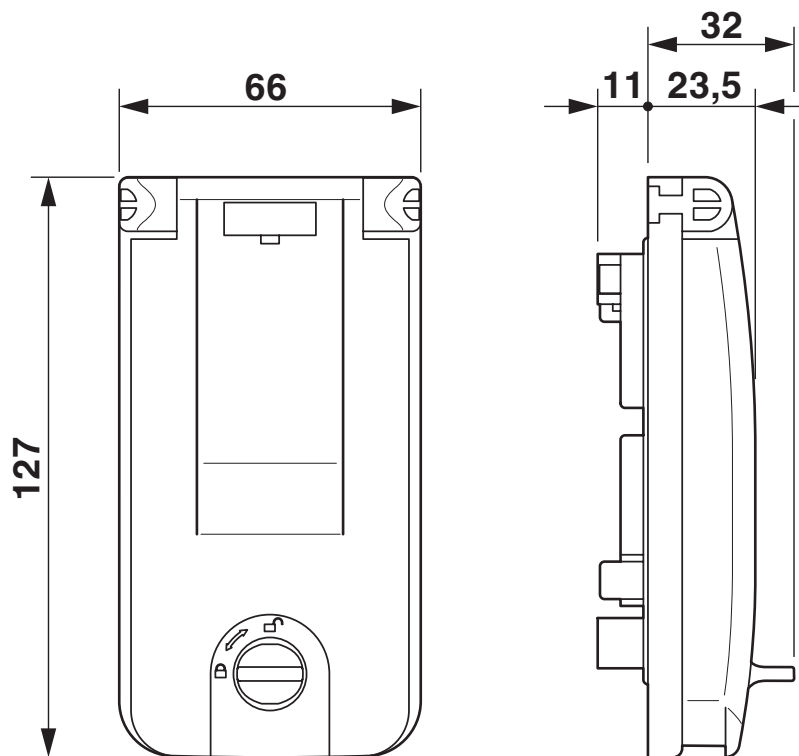
SI-M1A-GT - Mounting frame

1407594

<https://www.phoenixcontact.com/us/products/1407594>



Dimensional drawing



Dimensional drawing

SI-M1A-GT - Mounting frame

1407594

<https://www.phoenixcontact.com/us/products/1407594>



Classifications

ECLASS

ECLASS-13.0	27182806
ECLASS-15.0	27182806

Phoenix Contact 2026 © - all rights reserved

<https://www.phoenixcontact.com>

Phoenix Contact USA
586 Fulling Mill Road
Middletown, PA 17057, United States
(+717) 944-1300
info@phoenixcon.com