

# SI-M1B-GL - Mounting frame

1407593

<https://www.phoenixcontact.com/us/products/1407593>



Please be informed that the data shown in this PDF document is generated from our online catalog. Please find the complete data in the user documentation. Our general terms of use for downloads are valid.

Mounting frame for two front plates/sockets, plastic frame: black, plastic cover: gray, closed with 3 mm two-way key bit and rotary knob, included.



## Commercial data

|                                      |               |
|--------------------------------------|---------------|
| Item number                          | 1407593       |
| Packing unit                         | 1 pc          |
| Minimum order quantity               | 1 pc          |
| Sales key                            | BF70          |
| Product key                          | AF7EAX        |
| GTIN                                 | 4046356776059 |
| Weight per piece (including packing) | 197.7 g       |
| Weight per piece (excluding packing) | 197.7 g       |
| Customs tariff number                | 85389099      |
| Country of origin                    | DE            |

# SI-M1B-GL - Mounting frame

1407593

<https://www.phoenixcontact.com/us/products/1407593>

## Technical data

### Notes

|                     |                           |
|---------------------|---------------------------|
| Note on application | with enclosed rotary knob |
|---------------------|---------------------------|

### Product properties

|              |                |
|--------------|----------------|
| Product type | Mounting frame |
|--------------|----------------|

### Dimensions

|                     |  |
|---------------------|--|
| Dimensional drawing |  |
| Width               | 131 mm   |
| Depth               | 34.5 mm  |
| Length              | 127 mm   |

### Installation dimensions

|                               |        |
|-------------------------------|--------|
| Width of the assembly cutout  | 117 mm |
| Length of the assembly cutout | 91 mm  |

### Material specifications

|  |     |
|--|-----|
| Material Housing                       | PBT |
| Flammability rating according to UL 94 | V0  |

### Environmental and real-life conditions

#### Ambient conditions

|   |                  |
|---|------------------|
| Degree of protection                    | IP65             |
| Ambient temperature (operation)         | -30 °C ... 70 °C |
| Ambient temperature (storage/transport) | -30 °C ... 80 °C |

### Mounting

|               |  |
|---------------|--|
| Assembly note | Suitable for panel thicknesses 1 mm ... 5 mm |
|---------------|--|

# SI-M1B-GL - Mounting frame

1407593

<https://www.phoenixcontact.com/us/products/1407593>



## Drawings

Dimensional drawing



## Mounting cutout

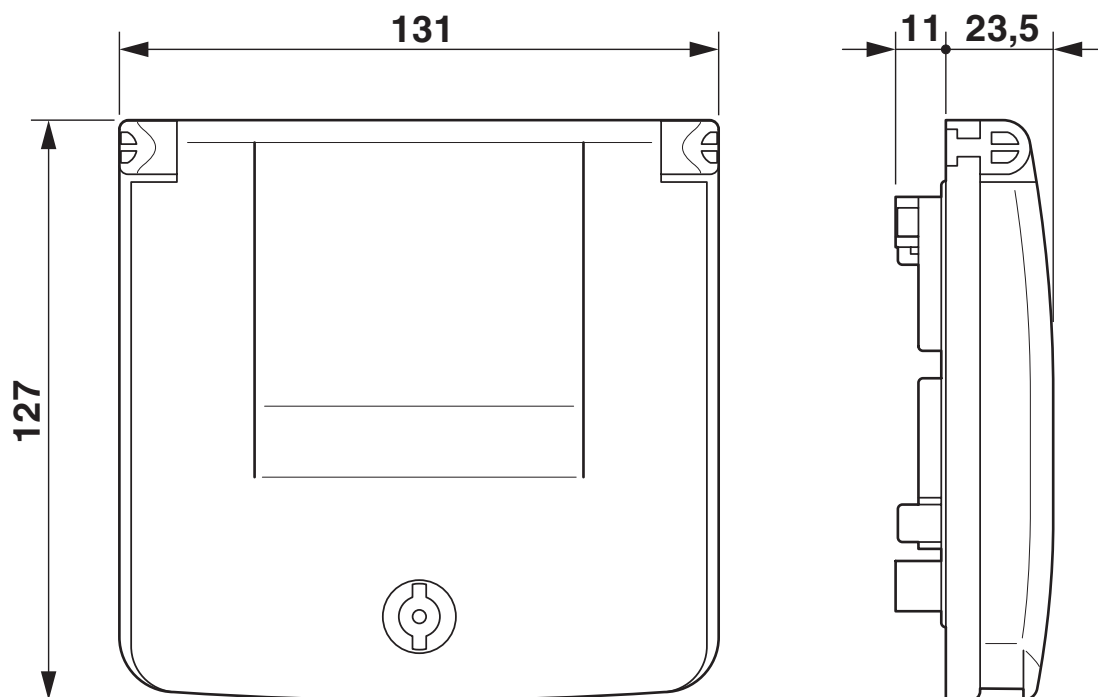
# SI-M1B-GL - Mounting frame

1407593

<https://www.phoenixcontact.com/us/products/1407593>



Dimensional drawing



Dimensional drawing

# SI-M1B-GL - Mounting frame



1407593

<https://www.phoenixcontact.com/us/products/1407593>

## Approvals

To download certificates, visit the product detail page: <https://www.phoenixcontact.com/us/products/1407593>



**cUL Recognized**  
Approval ID: E255026



**UL Recognized**  
Approval ID: E255026



**EAC**  
Approval ID: RU C-DE.A\*30.B.01102

# SI-M1B-GL - Mounting frame

1407593

<https://www.phoenixcontact.com/us/products/1407593>



## Classifications

### ECLASS

|             |          |
|-------------|----------|
| ECLASS-13.0 | 27182806 |
| ECLASS-15.0 | 27182806 |

### ETIM

|           |          |
|-----------|----------|
| ETIM 10.0 | EC000456 |
|-----------|----------|

### UNSPSC

|             |          |
|-------------|----------|
| UNSPSC 21.0 | 31261500 |
|-------------|----------|

# SI-M1B-GL - Mounting frame

1407593

<https://www.phoenixcontact.com/us/products/1407593>



## Environmental product compliance

### EU RoHS

|   |                    |
|---|--------------------|
| Fulfills EU RoHS substance requirements | Yes, No exemptions |
|---|--------------------|

### China RoHS

|  |  |
|--|--|
| Environment friendly use period (EFUP) | EFUP-E                                   |
|  | No hazardous substances above the limits |

### EU REACH SVHC

|                                     |                            |
|-------------------------------------|----------------------------|
| REACH candidate substance (CAS No.) | No substance above 0.1 wt% |
|-------------------------------------|----------------------------|

### EF3.1 Climate Change

|         |               |
|---------|---------------|
| CO2e kg | 4.731 kg CO2e |
|---------|---------------|

Phoenix Contact 2026 © - all rights reserved  
<https://www.phoenixcontact.com>

Phoenix Contact USA  
586 Fulling Mill Road  
Middletown, PA 17057, United States  
(+717) 944-1300  
[info@phoenixcon.com](mailto:info@phoenixcon.com)