

# SI-M1A-GL - Mounting frame

1407592

<https://www.phoenixcontact.com/us/products/1407592>

Please be informed that the data shown in this PDF document is generated from our online catalog. Please find the complete data in the user documentation. Our general terms of use for downloads are valid.



Mounting frame for one front plate/socket, plastic frame: black, plastic cover: gray, closed with 3 mm two-way key bit and rotary knob, included.

## Commercial data

Item number	1407592
Packing unit	1 pc
Minimum order quantity	1 pc
Sales key	BF70
Product key	AF7EAX
GTIN	4046356776042
Weight per piece (including packing)	121.9 g
Weight per piece (excluding packing)	120 g
Customs tariff number	85389099
Country of origin	DE

# SI-M1A-GL - Mounting frame

1407592

<https://www.phoenixcontact.com/us/products/1407592>

## Technical data

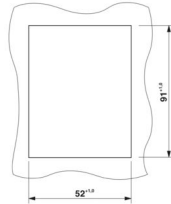
### Notes

Note on application	with enclosed rotary knob
---------------------	---------------------------

### Product properties

Product type	Mounting frame
--------------	----------------

### Dimensions

Dimensional drawing	
Width	66 mm
Depth	34.5 mm
Length	127 mm

### Installation dimensions

Width of the assembly cutout	52 mm
Length of the assembly cutout	91 mm

### Material specifications

Material Housing	PBT
Flammability rating according to UL 94	V0

### Environmental and real-life conditions

#### Ambient conditions

Degree of protection	IP65
Ambient temperature (operation)	-30 °C ... 70 °C
Ambient temperature (storage/transport)	-30 °C ... 80 °C

### Mounting

Assembly note	Suitable for panel thicknesses 1 mm ... 5 mm
---------------	--

# SI-M1A-GL - Mounting frame

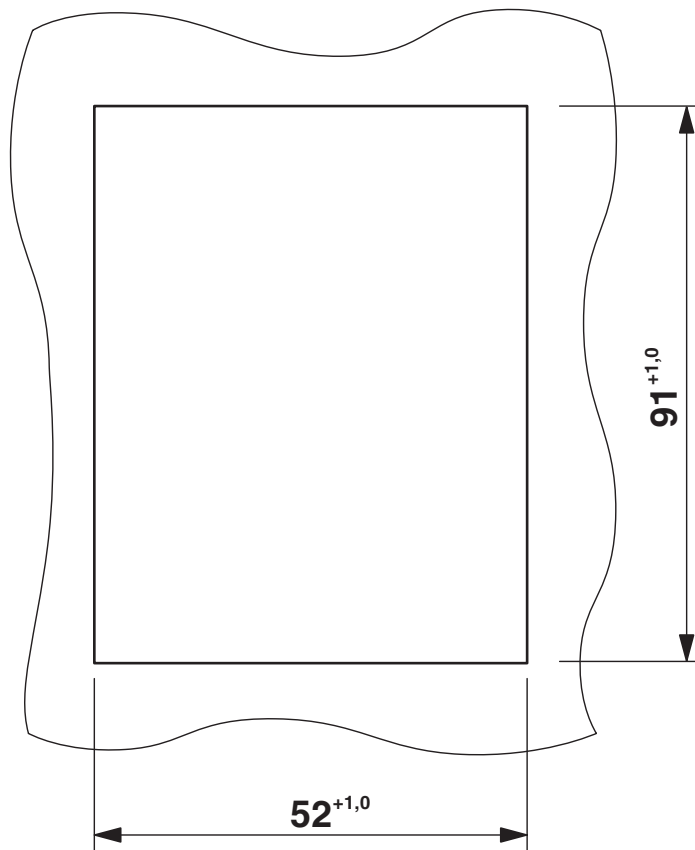
1407592

<https://www.phoenixcontact.com/us/products/1407592>



## Drawings

Dimensional drawing



Mounting cutout

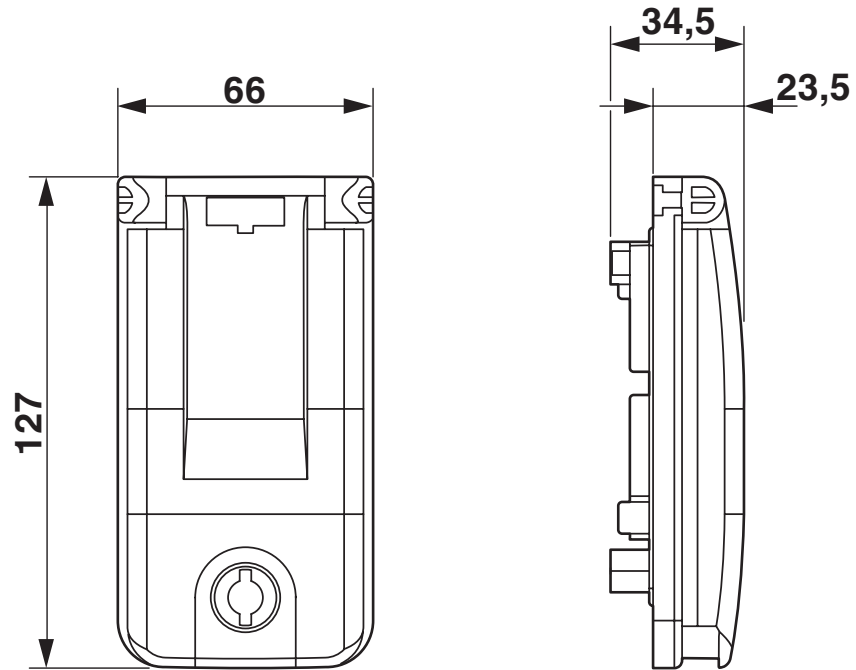
# SI-M1A-GL - Mounting frame

1407592

<https://www.phoenixcontact.com/us/products/1407592>



Dimensional drawing



Dimensional drawing

# SI-M1A-GL - Mounting frame



1407592

<https://www.phoenixcontact.com/us/products/1407592>

## Approvals

To download certificates, visit the product detail page: <https://www.phoenixcontact.com/us/products/1407592>



**cUL Recognized**  
Approval ID: E255026



**UL Recognized**  
Approval ID: E255026



**EAC**  
Approval ID: RU C-DE.A\*30.B.01102

# SI-M1A-GL - Mounting frame

1407592

<https://www.phoenixcontact.com/us/products/1407592>



## Classifications

### ECLASS

ECLASS-13.0	27182806
ECLASS-15.0	27182806

### ETIM

ETIM 10.0	EC000456
-----------	----------

### UNSPSC

UNSPSC 21.0	31261500
-------------	----------

# SI-M1A-GL - Mounting frame



1407592

<https://www.phoenixcontact.com/us/products/1407592>

## Environmental product compliance

### EU RoHS

Fulfills EU RoHS substance requirements	Yes, No exemptions
---	--------------------

### China RoHS

Environment friendly use period (EFUP)	EFUP-E
	No hazardous substances above the limits

### EU REACH SVHC

REACH candidate substance (CAS No.)	No substance above 0.1 wt%
-------------------------------------	----------------------------

### EF3.1 Climate Change

CO2e kg	2.857 kg CO2e
---------	---------------

Phoenix Contact 2026 © - all rights reserved  
<https://www.phoenixcontact.com>

Phoenix Contact USA  
586 Fulling Mill Road  
Middletown, PA 17057, United States  
(+717) 944-1300  
[info@phoenixcon.com](mailto:info@phoenixcon.com)