

# SI-M1A-T - Mounting frame

1407586

<https://www.phoenixcontact.com/us/products/1407586>



Please be informed that the data shown in this PDF document is generated from our online catalog. Please find the complete data in the user documentation. Our general terms of use for downloads are valid.



Mounting frame for one front plate/socket, plastic frame: black, plastic cover: transparent, closed with rotary knob, included.

## Commercial data

Item number	1407586
Packing unit	1 pc
Note	Made to order (non-returnable)
Sales key	BF70
Product key	AF7EAX
GTIN	4046356775984
Weight per piece (including packing)	118.5 g
Weight per piece (excluding packing)	118.5 g
Customs tariff number	39269097
Country of origin	CZ

# SI-M1A-T - Mounting frame

1407586

<https://www.phoenixcontact.com/us/products/1407586>

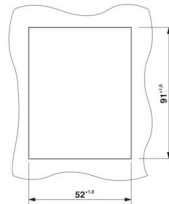


## Technical data

### Product properties

Product type	Mounting frame
Protective cover	yes

### Dimensions

Dimensional drawing	
Width	66 mm
Depth	34.5 mm
Length	127 mm

### Installation dimensions

Width of the assembly cutout	52 mm
Length of the assembly cutout	91 mm

### Material specifications

Material Housing	PBT
Flammability rating according to UL 94	V0

### Environmental and real-life conditions

#### Ambient conditions

Degree of protection	IP65
Ambient temperature (operation)	-30 °C ... 70 °C
Ambient temperature (storage/transport)	-30 °C ... 80 °C

### Mounting

Assembly note	Suitable for panel thicknesses 1 mm ... 5 mm
---------------	----------------------------------------------

# SI-M1A-T - Mounting frame

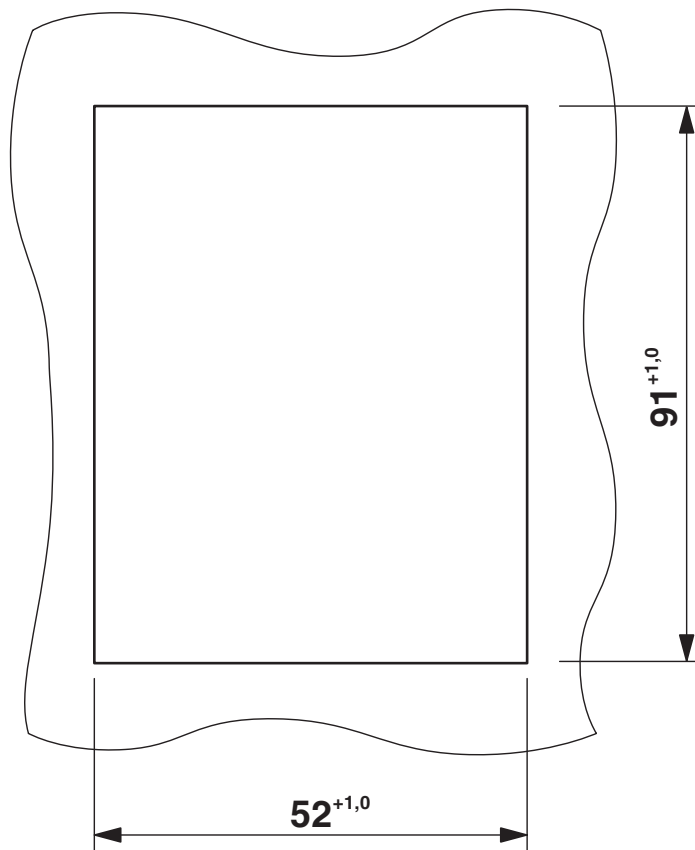
1407586

<https://www.phoenixcontact.com/us/products/1407586>



## Drawings

Dimensional drawing



Mounting cutout

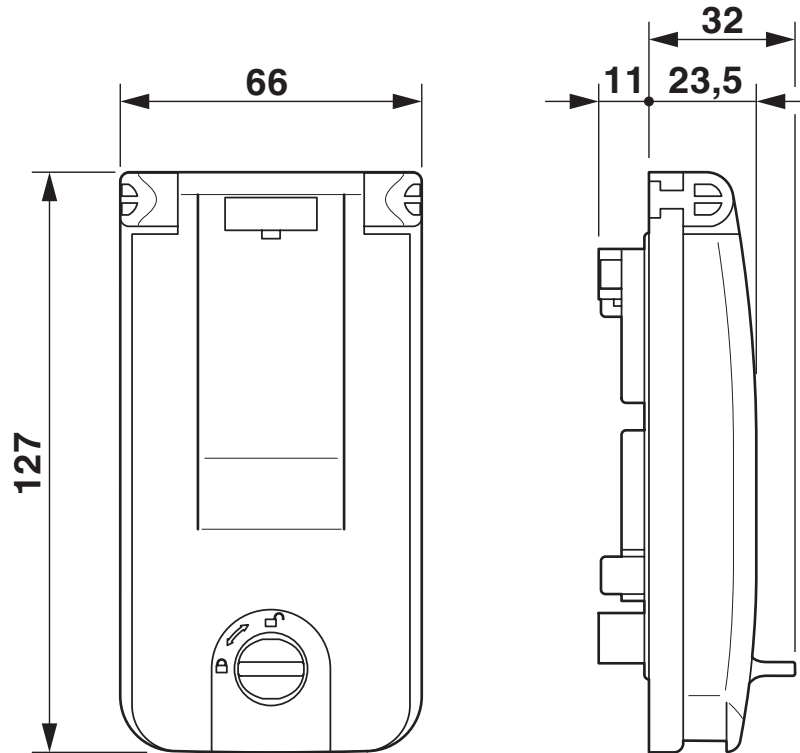
# SI-M1A-T - Mounting frame

1407586

<https://www.phoenixcontact.com/us/products/1407586>



Dimensional drawing



Dimensional drawing

# SI-M1A-T - Mounting frame

1407586

<https://www.phoenixcontact.com/us/products/1407586>



## Approvals

To download certificates, visit the product detail page: <https://www.phoenixcontact.com/us/products/1407586>



**EAC**

Approval ID: RU C-DE.A\*30.B.01102

# SI-M1A-T - Mounting frame

1407586

<https://www.phoenixcontact.com/us/products/1407586>



## Classifications

### ECLASS

ECLASS-13.0	27182806
ECLASS-15.0	27182806

# SI-M1A-T - Mounting frame



1407586

<https://www.phoenixcontact.com/us/products/1407586>

## Environmental product compliance

### EU RoHS

Fulfills EU RoHS substance requirements	Yes
Exemption	6(c)

### China RoHS

Environment friendly use period (EFUP)	EFUP-50
	An article-related China RoHS declaration table can be found in the download area for the respective article under "Manufacturer declaration". For all articles with EFUP-E, no China RoHS declaration table issued and required.

### EU REACH SVHC

REACH candidate substance (CAS No.)	Lead(CAS: 7439-92-1)
-------------------------------------	----------------------

Phoenix Contact 2026 © - all rights reserved  
<https://www.phoenixcontact.com>

Phoenix Contact USA  
586 Fulling Mill Road  
Middletown, PA 17057, United States  
(+717) 944-1300  
[info@phoenixcon.com](mailto:info@phoenixcon.com)