

# SAC-ASI-J-Y-B-FFKDS - Distributor



1407579

<https://www.phoenixcontact.com/us/products/1407579>

Please be informed that the data shown in this PDF document is generated from our online catalog. Please find the complete data in the user documentation. Our general terms of use for downloads are valid.



AS-Interface distributor, for a branch from two flat-ribbon conductors to two double spring-cage terminal blocks

## Commercial data

Item number	1407579
Packing unit	1 pc
Minimum order quantity	1 pc
Sales key	BF10
Product key	AF1GFA
GTIN	4046356779999
Weight per piece (including packing)	38 g
Weight per piece (excluding packing)	38 g
Customs tariff number	85366990
Country of origin	VN

1407579

<https://www.phoenixcontact.com/us/products/1407579>

## Technical data

### Product properties

Product type	Network distributor box
Number of positions	4

### Insulation characteristics

Overvoltage category	III
Degree of pollution	3

### Electrical properties

Nominal voltage $U_N$	$\leq 32$ V DC
Nominal current $I_N$	4 A
Transmission medium	Copper

### Connection data

#### Connection technology

Connection method	AS-i penetration technique
-------------------	----------------------------

#### Connection assignment

Contact   Color (signal designation)   Contact (optional)	1+ (Spring-cage connection) (AS-i+)   3.1 (AS-i distributors)
	1- (Spring-cage connection) (AS-i-)   3.2 (AS-i distributors)
	2+ (Spring-cage connection) (AS-i+)   4.1 (AS-i distributors)
	2- (Spring-cage connection) (AS-i-)   4.2 (AS-i distributors)

### Interfaces

Bus system	AS-Interface
------------	--------------

### Signaling

Status display	no
Status display present	no

### Material specifications

Material Housing	PBT
------------------	-----

### Connector

#### Connection 1

Type	Load center AS-i Screw locking
Number of positions	4
Locking type	Screw locking mechanism
Material	CuSn (Contact)
	Ni/Au (Contact surface)
	PBT (Contact carrier)
	PBT (Housing)

# SAC-ASI-J-Y-B-FFKDS - Distributor



1407579

<https://www.phoenixcontact.com/us/products/1407579>

	Stainless steel (Screw connection)
Tightening torque	1.65 Nm (Locking screw)

## Connection 2

Type	Spring-cage terminal block straight
Number of positions	4
Material	CuSn (Contact)
	tin-plated (Contact surface)
	PA (Contact carrier)

## Cable/line

Stripping length of the individual wire	10 mm
---	-------

## Environmental and real-life conditions

### Ambient conditions

Degree of protection	IP20
Ambient temperature (operation) (male connector/female connector)	-25 °C ... 75 °C
Ambient temperature (storage/transport)	-25 °C ... 85 °C

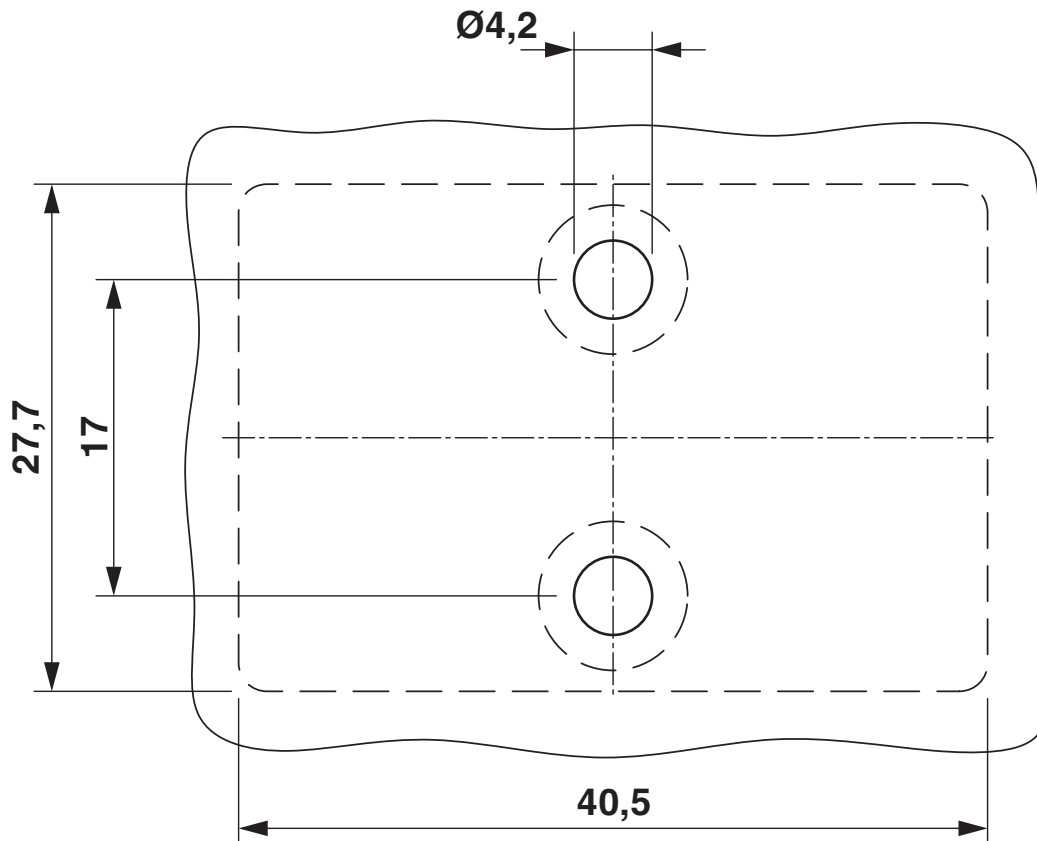
## Drawings

Dimensional drawing



Distributor, AS-Interface

Dimensional drawing

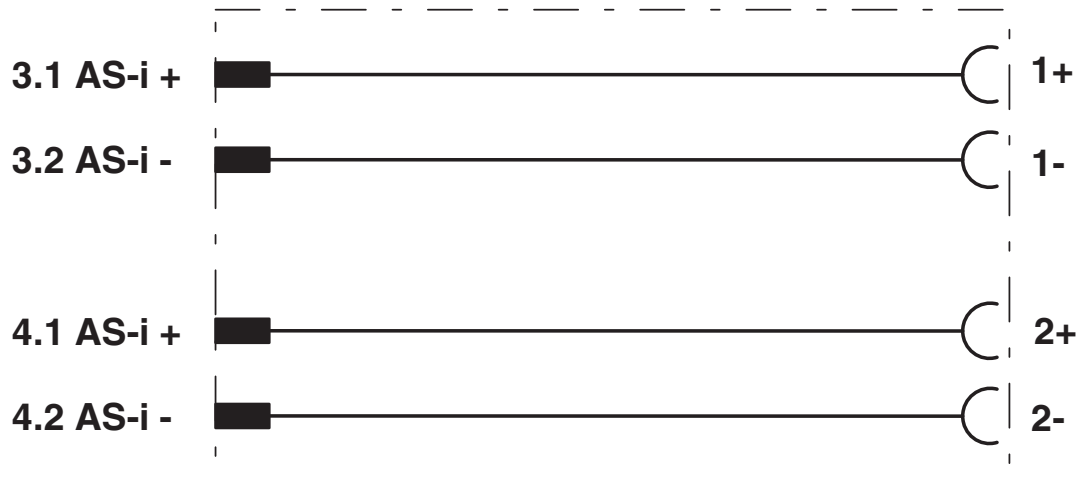


Distance and position of the mounting holes

1407579

<https://www.phoenixcontact.com/us/products/1407579>

Circuit diagram



Contact assignment of the AS-Interface distributor

# SAC-ASI-J-Y-B-FFKDS - Distributor



1407579

<https://www.phoenixcontact.com/us/products/1407579>

## Classifications

### ECLASS

ECLASS-13.0	27440106
ECLASS-15.0	27440106

### ETIM

ETIM 10.0	EC002925
-----------	----------

### UNSPSC

UNSPSC 21.0	31251500
-------------	----------

1407579

<https://www.phoenixcontact.com/us/products/1407579>

## Environmental product compliance

### EU RoHS

Fulfills EU RoHS substance requirements	Yes, No exemptions
---	--------------------

### China RoHS

Environment friendly use period (EFUP)	EFUP-50
	An article-related China RoHS declaration table can be found in the download area for the respective article under "Manufacturer declaration". For all articles with EFUP-E, no China RoHS declaration table issued and required.

### EU REACH SVHC

REACH candidate substance (CAS No.)	No substance above 0.1 wt%
-------------------------------------	----------------------------

Phoenix Contact 2026 © - all rights reserved

<https://www.phoenixcontact.com>

Phoenix Contact USA  
586 Fulling Mill Road  
Middletown, PA 17057, United States  
(+717) 944-1300  
[info@phoenixcon.com](mailto:info@phoenixcon.com)