

# SAC-ASI-J-Y-B-PUR-2,0-FR SCO - Distributor



1407578

<https://www.phoenixcontact.com/us/products/1407578>

Please be informed that the data shown in this PDF document is generated from our online catalog. Please find the complete data in the user documentation. Our general terms of use for downloads are valid.



AS-Interface distributor with a high degree of protection, for a branch from two flat-ribbon conductors to a 2.0 m PUR round cable with angled M12-SPEEDCON socket

## Commercial data

Item number	1407578
Packing unit	1 pc
Minimum order quantity	1 pc
Sales key	BF10
Product key	AF1GFA
GTIN	4046356779982
Weight per piece (including packing)	112 g
Weight per piece (excluding packing)	104.9 g
Customs tariff number	85444290
Country of origin	VN

1407578

<https://www.phoenixcontact.com/us/products/1407578>

## Technical data

### Product properties

Product type	Network distributor box
Number of positions	4
Coding	A

### Insulation characteristics

Overvoltage category	II
Degree of pollution	3

### Electrical properties

Nominal voltage $U_N$	$\leq 32$ V DC
Nominal current $I_N$	4 A
Transmission medium	Copper

### Connection data

#### Connection technology

Connection method	AS-i penetration technique
-------------------	----------------------------

#### Connection assignment

Contact   Color (signal designation)   Contact (optional)	1 (M12 socket)   BN (AS-i+)   3.1 (AS-i distributors)
	2 (M12 socket)   WH (AUX-)   4.2 (AS-i distributors)
	3 (M12 socket)   BU (AS-i-)   3.2 (AS-i distributors)
	4 (M12 socket)   BK (AUX+)   4.1 (AS-i distributors)
	5 (M12 socket)   N.C.

### Interfaces

Bus system	AS-Interface
------------	--------------

### Signaling

Status display	no
Status display present	no

### Connector

#### Connection 1

Type	Load center lateral AS-i Screw locking
Number of positions	4
Locking type	Screw locking mechanism
Material	CuSn (Contact)
	Ni/Au (Contact surface)
	PBT (Contact carrier)
	PBT (Housing)
	Stainless steel (Screw connection)

# SAC-ASI-J-Y-B-PUR-2,0-FR SCO - Distributor



1407578

<https://www.phoenixcontact.com/us/products/1407578>

Tightening torque	1.65 Nm (Locking screw)
-------------------	-------------------------

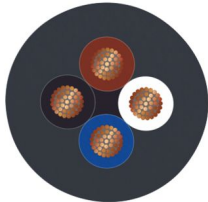
## Connection 2

Type	Socket angled M12 SPEEDCON
Number of positions	4 (5)
Locking type	SPEEDCON
Material	CuSn (Contact)
	Ni/Au (Contact surface)
	TPU GF (Contact carrier)
	TPU (Grip body)
Zinc die-cast, nickel-plated (Screw connection)	
Insertion/withdrawal cycles	≥ 100
Tightening torque	0.4 Nm

## Cable/line

Cable length	2 m
--------------	-----

## PUR halogen-free black [PUR]

Dimensional drawing	
UL AWM Style	20549 / 10493
Number of positions	4
Shielded	no
Cable type	PUR halogen-free black [PUR]
Conductor structure signal line	42x 0.10 mm
AWG signal line	22
Conductor cross-section	4x 0.34 mm <sup>2</sup> (Signal line)
Wire diameter incl. insulation	1.25 mm ±0.05 mm
External cable diameter	4.30 mm ±0.2 mm
Outer sheath, material	PUR
External sheath, color	black
Conductor material	Bare Cu litz wires
Material wire insulation	PP
Single wire, color	brown, white, blue, black
Overall twist	4 wires, twisted
Ambient temperature (operation)	-40 °C ... 80 °C (fixed routing)
	-25 °C ... 80 °C (Flexibly installed)

## Environmental and real-life conditions

# SAC-ASI-J-Y-B-PUR-2,0-FR SCO - Distributor



1407578

<https://www.phoenixcontact.com/us/products/1407578>

## Ambient conditions

Degree of protection	IP65
	IP67
Ambient temperature (operation)	-25 °C ... 75 °C
Ambient temperature (operation) (Cable, flexible installation)	-25 °C ... 80 °C (Cable, flexible installation)
Ambient temperature (operation) (Cable, fixed installation)	-40 °C ... 80 °C (cable, fixed installation)
Ambient temperature (storage/transport)	-25 °C ... 85 °C

## Standards and regulations

Standard designation	M12 connector
Standards/specifications	IEC 61076-2-101

Drawings

Dimensional drawing



Distributor, AS-Interface

Dimensional drawing



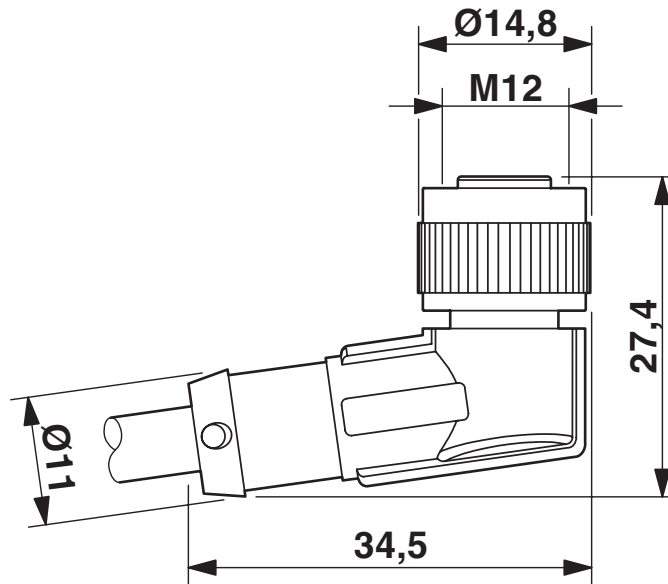
Distance and position of the mounting holes

# SAC-ASI-J-Y-B-PUR-2,0-FR SCO - Distributor

1407578

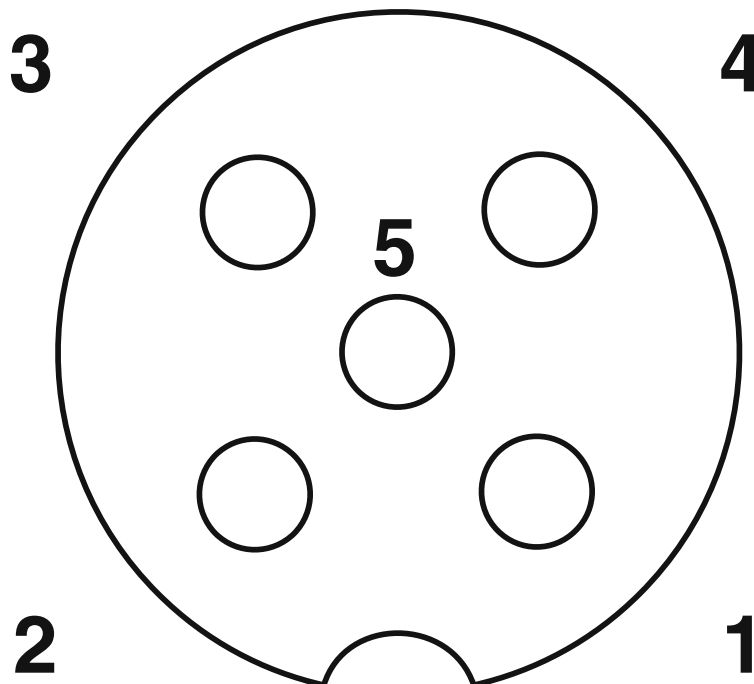
<https://www.phoenixcontact.com/us/products/1407578>

Dimensional drawing



M12 x 1 socket, angled

Schematic diagram

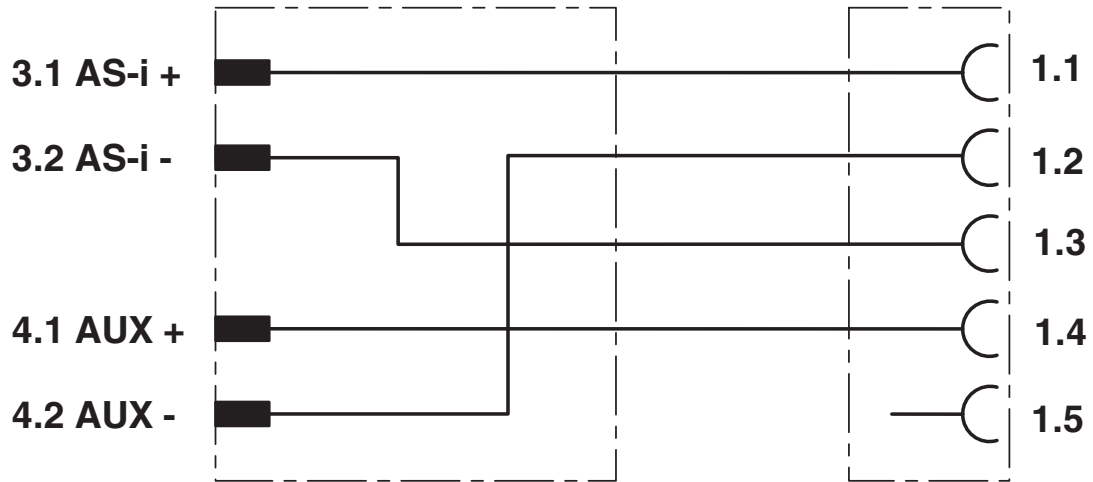


Pin assignment M12, PIN 1: AS-i +, PIN 2: AUX -, PIN 3: AS-i -, PIN 4: AUX +, PIN 5: Not used

1407578

<https://www.phoenixcontact.com/us/products/1407578>

Circuit diagram



Contact assignment of the AS-Interface distributor

1407578

<https://www.phoenixcontact.com/us/products/1407578>

## Classifications

### ECLASS

ECLASS-13.0	27440106
ECLASS-15.0	27440106

### ETIM

ETIM 10.0	EC002925
-----------	----------

### UNSPSC

UNSPSC 21.0	31251500
-------------	----------

1407578

<https://www.phoenixcontact.com/us/products/1407578>

## Environmental product compliance

### EU RoHS

Fulfills EU RoHS substance requirements	Yes, No exemptions
---	--------------------

### China RoHS

Environment friendly use period (EFUP)	EFUP-50
	An article-related China RoHS declaration table can be found in the download area for the respective article under "Manufacturer declaration". For all articles with EFUP-E, no China RoHS declaration table issued and required.

### EU REACH SVHC

REACH candidate substance (CAS No.)	No substance above 0.1 wt%
-------------------------------------	----------------------------

### EF3.1 Climate Change

CO2e kg	6.52 kg CO2e
---------	--------------

Phoenix Contact 2026 © - all rights reserved  
<https://www.phoenixcontact.com>

Phoenix Contact USA  
586 Fulling Mill Road  
Middletown, PA 17057, United States  
(+717) 944-1300  
[info@phoenixcon.com](mailto:info@phoenixcon.com)