

NBC-M12FSD/10,0-93B/R4AC - Network cable



1407535

<https://www.phoenixcontact.com/us/products/1407535>

Please be informed that the data shown in this PDF document is generated from our online catalog. Please find the complete data in the user documentation. Our general terms of use for downloads are valid.



Network cable, PROFINET CAT5 (100 Mbps), EtherCAT® CAT5 (100 Mbps), 4-position, PVC/PVC, green RAL 6018, shielded (Advanced Shielding Technology), Socket straight M12, coding: D / IP67, on Plug straight RJ45 / IP20, cable length: 10 m

Commercial data

| | |
|--------------------------------------|---------------|
| Item number | 1407535 |
| Packing unit | 1 pc |
| Minimum order quantity | 1 pc |
| Sales key | BF04 |
| Product key | AF1CJN |
| GTIN | 4046356778404 |
| Weight per piece (including packing) | 682.3 g |
| Weight per piece (excluding packing) | 656.1 g |
| Customs tariff number | 85444290 |
| Country of origin | PL |

1407535

<https://www.phoenixcontact.com/us/products/1407535>

Technical data

Product properties

| | |
|---------------------|-------------------------|
| Product type | Data cable preassembled |
| Application | Standard |
| Number of positions | 4 |
| Shielded | yes |

Interfaces

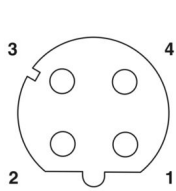
| | |
|----------------------|--------------------------------------|
| Signal type/category | PROFINET CAT5 (IEC 11801), 100 Mbps |
| | EtherCAT® CAT5 (IEC 11801), 100 Mbps |

Electrical properties

| | |
|-----------------------|----------|
| Nominal voltage U_N | 48 V AC |
| | 60 V DC |
| Nominal current I_N | 1 A |
| Transmission medium | Copper |
| Transmission speed | 100 Mbps |

Connector

Connection 1

| | |
|-----------------------------|---|
| Dimensional drawing |  <p>Pin assignment M12 socket, 4-pos., D-coded, female side</p> |
| Type | M12 Socket, straight, 4-position, shielded (Advanced Shielding Technology), Keying: D |
| Number of positions | 4 |
| Shielded | yes |
| Shielding | Advanced Shielding Technology |
| Signal type/category | EtherCAT® CAT5 (IEC 11801), 100 Mbps PROFINET CAT5 (IEC 11801) |
| Insertion/withdrawal cycles | ≥ 100 |
| Insulation resistance | ≥ 100 MΩ |
| Overvoltage category | II |
| Degree of pollution | 3 |
| Tightening torque | 0.4 Nm |
| Material Contact | CuSn |
| Material Contact surface | Ni/Au |
| Material Contact carrier | PA 6.6 |

NBC-M12FSD/10,0-93B/R4AC - Network cable

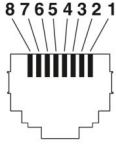


1407535

<https://www.phoenixcontact.com/us/products/1407535>

| | |
|--|---|
| Material Screw connection | Die-cast zinc, nickel-plated |
| Material Grip body | TPU, hardly inflammable, self-extinguishing |
| Material Seal | FKM |
| Flammability rating according to UL 94 | V0 |
| Degree of protection | IP65 IP67 |
| Ambient temperature (operation) | -25 °C ... 85 °C |
| Standard designation | M12 connector |
| Standards/regulations | IEC 61076-2-101 |

Connection 2

| | |
|--|--|
| Dimensional drawing |  <p>Connector pin assignment plug RJ45</p> |
| Type | RJ45, straight |
| Signal type/category | PROFINET CAT5 (IEC 11801), 100 Mbps EtherCAT® CAT5 (IEC 11801) |
| Insertion/withdrawal cycles | ≥ 750 |
| Insulation resistance | ≥ 100 MΩ |
| Overvoltage category | I |
| Degree of pollution | 2 |
| Material Contact | CuSn |
| Material Contact surface | Ni/Au |
| Material Contact carrier | PA |
| Material Housing | PA |
| Color (Housing) | black |
| Flammability rating according to UL 94 | V2 |
| Degree of protection | IP20 |
| Ambient temperature (operation) | -25 °C ... 80 °C |

Cable/line

| | |
|--------------|------|
| Cable length | 10 m |
|--------------|------|

PROFINET PVC stranded CAT5 [93B]

NBC-M12FSD/10,0-93B/R4AC - Network cable



1407535

<https://www.phoenixcontact.com/us/products/1407535>

| | |
|---|--|
| Dimensional drawing |  |
| UL AWM Style | 21695 (80 °C / 600 V) |
| Number of positions | 4 |
| Shielded | yes |
| Cable type | PROFINET PVC stranded CAT5 [93B] |
| Conductor structure | 1x4xAWG22/7, SF/TQ |
| AWG signal line | 22 |
| Conductor cross-section | 4x 0.34 mm ² |
| Wire diameter incl. insulation | 1.5 mm ±0.1 mm |
| External cable diameter | 6.50 mm ±0.2 mm |
| Outer sheath, material | PVC |
| External sheath, color | green RAL 6018 |
| Conductor material | Tin-plated Cu litz wires |
| Material wire insulation | PE |
| Single wire, color | white, yellow, blue, orange |
| Overall twist | Star quad |
| Optical shield covering | 85 % |
| Insulation resistance | ≥ 5 GΩ*km |
| Loop resistance | ≤ 120.00 Ω/km |
| Wave impedance | 100 Ω ±5 Ω (at 100 MHz) |
| Nominal voltage, cable | ≤ 600 V |
| Test voltage Core/Core | 2000 V ((50 Hz/1 min)) |
| Test voltage Core/Shield | 2000.00 V ((50 Hz/1 min)) |
| Minimum bending radius, fixed installation | 4 x D |
| Minimum bending radius, flexible installation | 8 x D |
| Flame resistance | UL 1581, Section 1060 and UL 2556, Section 9.3 (FT1) UL 1685 (CSA FT 4) UL 1581, Section 1100 and UL 2556, Section 9.1 (HFT/FT2) |
| Resistance to oil | OIL RES I according to UL 2256 |
| Other resistance | UV resistant (according to UL 1581, Section 1200) |
| Ambient temperature (operation) | -40 °C ... 80 °C (cable, fixed installation) -10 °C ... 70 °C (Cable, flexible installation) |

NBC-M12FSD/10,0-93B/R4AC - Network cable



1407535

<https://www.phoenixcontact.com/us/products/1407535>

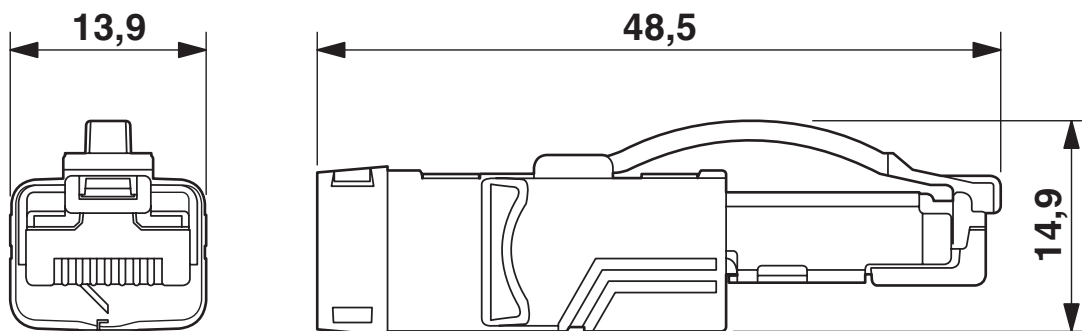
Drawings

Dimensional drawing



M12 x 1 socket, straight, shielded

Dimensional drawing



RJ45 connector, IP20

NBC-M12FSD/10,0-93B/R4AC - Network cable

1407535

<https://www.phoenixcontact.com/us/products/1407535>



Schematic diagram



Pin assignment M12 socket, 4-pos., D-coded, female side

Schematic diagram



Connector pin assignment plug RJ45

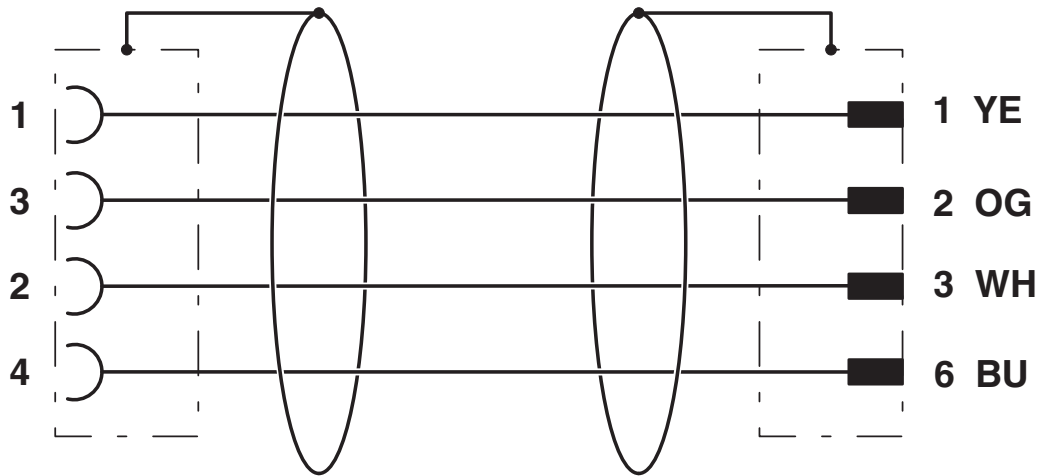
NBC-M12FSD/10,0-93B/R4AC - Network cable



1407535

<https://www.phoenixcontact.com/us/products/1407535>

Circuit diagram



Contact assignment of the M12 socket and the RJ45 plug

NBC-M12FSD/10,0-93B/R4AC - Network cable




1407535

<https://www.phoenixcontact.com/us/products/1407535>

Approvals

To download certificates, visit the product detail page: <https://www.phoenixcontact.com/us/products/1407535>

|  UL Listed Approval ID: FILE E 335024 | | | | |
|--|-----------------------|-----------------------|-------------------|-----------------------------|
| | Nominal voltage U_N | Nominal current I_N | Cross section AWG | Cross section mm^2 |
| keine | | | | |
| | 30 V | 4 A | - | - |

|  cUL Listed Approval ID: FILE E 335024 | | | | |
|---|-----------------------|-----------------------|-------------------|-----------------------------|
| | Nominal voltage U_N | Nominal current I_N | Cross section AWG | Cross section mm^2 |
| keine | | | | |
| | 60 V | 0.5 A | - | - |

|  EAC-RoHS Approval ID: RU D-DE.HB35.B.00387 | |
|--|--|
|--|--|

NBC-M12FSD/10,0-93B/R4AC - Network cable



1407535

<https://www.phoenixcontact.com/us/products/1407535>

Classifications

ECLASS

| | |
|-------------|----------|
| ECLASS-13.0 | 27060307 |
| ECLASS-15.0 | 27060307 |

UNSPSC

| | |
|-------------|----------|
| UNSPSC 21.0 | 26121600 |
|-------------|----------|

NBC-M12FSD/10,0-93B/R4AC - Network cable



1407535

<https://www.phoenixcontact.com/us/products/1407535>

Environmental product compliance

EU RoHS

| | |
|---|--------------------|
| Fulfills EU RoHS substance requirements | Yes, No exemptions |
|---|--------------------|

China RoHS

| | |
|--|--|
| Environment friendly use period (EFUP) | EFUP-E |
| | No hazardous substances above the limits |

EU REACH SVHC

| | |
|-------------------------------------|----------------------------|
| REACH candidate substance (CAS No.) | No substance above 0.1 wt% |
|-------------------------------------|----------------------------|

Phoenix Contact 2026 © - all rights reserved
<https://www.phoenixcontact.com>

Phoenix Contact USA
586 Fulling Mill Road
Middletown, PA 17057, United States
(+717) 944-1300
info@phoenixcon.com