

NBC-FS/ 2,0-94B/R4QC SCO - Network cable



1407460

<https://www.phoenixcontact.com/us/products/1407460>

Please be informed that the data shown in this PDF document is generated from our online catalog. Please find the complete data in the user documentation. Our general terms of use for downloads are valid.



Network cable, Ethernet CAT5 (1 Gbps), 8-position, PUR halogen-free, water blue RAL 5021, shielded, Plug straight RJ45 Push Pull / IP67, on Socket straight M12 SPEEDCON, coding: A / IP67, cable length: 2 m

Commercial data

Item number	1407460
Packing unit	1 pc
Minimum order quantity	1 pc
Sales key	BF04
Product key	AF1CMI
GTIN	4046356775816
Weight per piece (including packing)	146.8 g
Weight per piece (excluding packing)	146 g
Customs tariff number	85444210
Country of origin	PL

1407460

<https://www.phoenixcontact.com/us/products/1407460>

Technical data

Product properties

Product type	Data cable preassembled
Application	Standard
Number of positions	8
Shielded	yes
Coding	A

Interfaces

Bus system	Ethernet
Signal type/category	Ethernet CAT5 (based on IEC 11801), 1 Gbps

Signaling

Status display	no
Status display present	no

Electrical properties

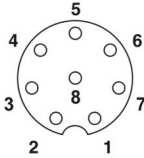
Nominal voltage U_N	30 V AC
	30 V DC
Nominal current I_N	1 A
Transmission medium	Copper
Transmission speed	1 Gbps
Transmission characteristics (category)	CAT5 (IEC 11801:2002)

Material specifications

Seal material	NBR
---------------	-----

Connector

Connection 1

Dimensional drawing	 <p>Pin assignment M12 socket, 8-pos., A-coded, view female side</p>
Type	M12 Socket, angled, 8-position, shielded (Advanced Shielding Technology), Keying: A
Number of positions	8
Shielded	yes
Shielding	Advanced Shielding Technology
Signal type/category	Ethernet CAT5, 1 bps
Insertion/withdrawal cycles	≥ 100

NBC-FS/ 2,0-94B/R4QC SCO - Network cable

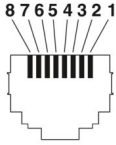


1407460

<https://www.phoenixcontact.com/us/products/1407460>

Insulation resistance	≥ 100 Ω
Overvoltage category	II
Degree of pollution	3
Tightening torque	0.4 Nm (M12 connector)
Material Contact	CuZn
Material Contact surface	Ni/Au
Material Contact carrier	PA 6.6
Material Screw connection	Die-cast zinc, nickel-plated
Material Grip body	TPU, hardly inflammable, self-extinguishing
Material Seal	FKM
Flammability rating according to UL 94	V0
Ambient temperature (operation)	-25 °C ... 85 °C
Standard designation	M12 connector
Standards/regulations	IEC 61076-2-101

Connection 2

Dimensional drawing	 <p>Connector pin assignment plug RJ45</p>
Type	RJ45 Plug, straight, 8-position, Push Pull
Number of positions	8
Signal type/category	Ethernet CAT5 (IEC 11801:2002), 1 Gbps
Insertion/withdrawal cycles	≥ 750
Overvoltage category	I
Degree of pollution	2
Material Contact	CuSn
Material Contact surface	Ni/Au
Material Contact carrier	PC
Material Housing	PA-GF
Color (Housing)	black
Flammability rating according to UL 94	V0
Degree of protection	IP67 IP65
Ambient temperature (operation)	-40 °C ... 70 °C

Cable/line

Cable length	2 m
--------------	-----

Ethernet flexible CAT5, 4-pair [94B]

NBC-FS/ 2,0-94B/R4QC SCO - Network cable



1407460

<https://www.phoenixcontact.com/us/products/1407460>

Dimensional drawing	
UL AWM Style	21238 (80 °C / 600 V)
Number of positions	8
Shielded	yes
Cable type	Ethernet flexible CAT5, 4-pair [94B]
Conductor structure	4x2xAWG26/7, SF/UTP
AWG signal line	26
Conductor cross-section	4x 2x 0.14 mm ²
Wire diameter incl. insulation	0.96 mm ±0.05 mm
External cable diameter	6.40 mm ±0.2 mm
Outer sheath, material	PUR
External sheath, color	water blue RAL 5021
Conductor material	Bare Cu litz wires
Material wire insulation	Foamed PE
Single wire, color	white/blue-blue, white/orange-orange, white/green-green, white/brown-brown
Twisted pairs	2 cores to the pair
Overall twist	4 pairs for core
Optical shield covering	70 %
Insulation resistance	≥ 500 MΩ*km
Loop resistance	≤ 290.00 Ω/km
Wave impedance	100 Ω ±5 Ω (at 100 MHz)
Nominal voltage, cable	≤ 100 V
Test voltage Core/Core	2000 V (50 Hz, 1 min.)
Test voltage Core/Shield	2000.00 V (50 Hz, 1 min.)
Minimum bending radius, fixed installation	4 x D
Minimum bending radius, flexible installation	8 x D
Smallest bending radius, fixed installation	26 mm
Smallest bending radius, movable installation	51 mm
Halogen-free	according to IEC 60754-1
Flame resistance	according to IEC 60332-1-2 according to CSA C 22.2 No. 210-FT1
Resistance to oil	in accordance with EN 60811-2-1
Ambient temperature (operation)	-40 °C ... 80 °C (cable, fixed installation) -20 °C ... 80 °C (Cable, flexible installation)

Environmental and real-life conditions

NBC-FS/ 2,0-94B/R4QC SCO - Network cable



1407460

<https://www.phoenixcontact.com/us/products/1407460>

Ambient conditions

Degree of protection	IP65 (M12 connector)
	IP67 (M12 connector)
	IP67 (RJ45 connector)
Ambient temperature (operation) (male connector/female connector)	-25 °C ... 90 °C (M12 connector)
	-40 °C ... 70 °C (RJ45 connector)

Standards and regulations

M12

Standard designation	M12 connector
Standards/specifications	IEC 61076-2-101

NBC-FS/ 2,0-94B/R4QC SCO - Network cable

1407460

<https://www.phoenixcontact.com/us/products/1407460>

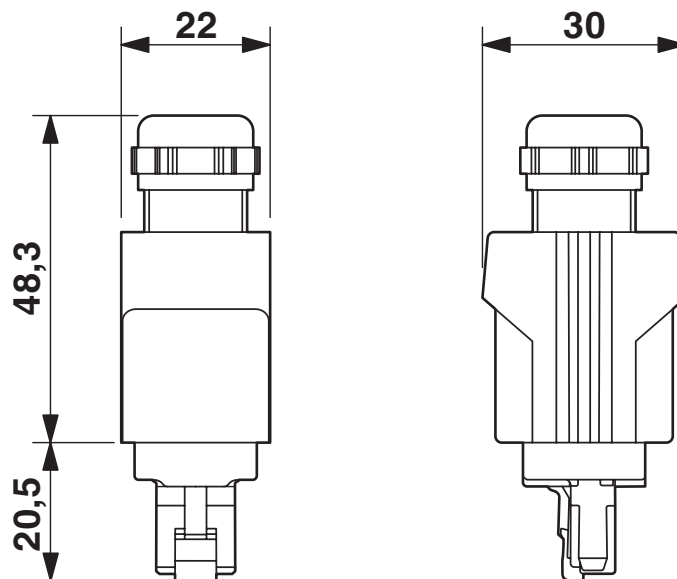
Drawings

Dimensional drawing



M12 x 1 socket, straight, shielded

Dimensional drawing



RJ45 Push-Pull connector, IP67

1407460

<https://www.phoenixcontact.com/us/products/1407460>

Schematic diagram



Pin assignment M12 socket, 8-pos., A-coded, view female side

Schematic diagram



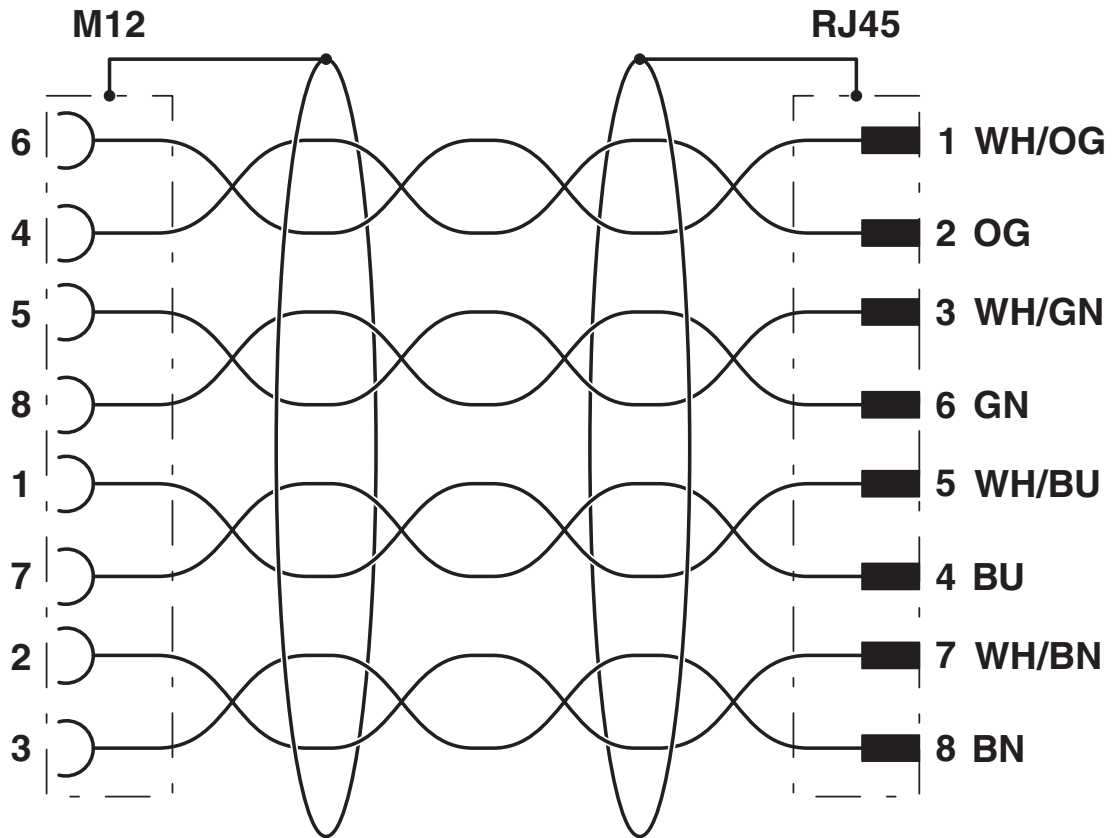
Connector pin assignment plug RJ45

NBC-FS/ 2,0-94B/R4QC SCO - Network cable

1407460

<https://www.phoenixcontact.com/us/products/1407460>

Circuit diagram



Contact assignment of the M12 socket and the RJ45 plug

NBC-FS/ 2,0-94B/R4QC SCO - Network cable



1407460

<https://www.phoenixcontact.com/us/products/1407460>

Approvals

To download certificates, visit the product detail page: <https://www.phoenixcontact.com/us/products/1407460>



EAC-RoHS

Approval ID: RU D-DE.HB35.B.00387

NBC-FS/ 2,0-94B/R4QC SCO - Network cable



1407460

<https://www.phoenixcontact.com/us/products/1407460>

Classifications

ECLASS

ECLASS-13.0	27060307
ECLASS-15.0	27060307

UNSPSC

UNSPSC 21.0	26121600
-------------	----------

NBC-FS/ 2,0-94B/R4QC SCO - Network cable



1407460

<https://www.phoenixcontact.com/us/products/1407460>

Environmental product compliance

EU RoHS

Fulfills EU RoHS substance requirements	Yes, No exemptions
---	--------------------

China RoHS

Environment friendly use period (EFUP)	EFUP-E
	No hazardous substances above the limits

EU REACH SVHC

REACH candidate substance (CAS No.)	6,6'-di-tert-butyl-2,2'-methylenedi-p-cresol(CAS: 119-47-1)
SCIP	bd0c80ce-9703-44d2-af21-c5170697e89e

EF3.1 Climate Change

CO2e kg	2.888 kg CO2e
---------	---------------

Phoenix Contact 2026 © - all rights reserved

<https://www.phoenixcontact.com>

Phoenix Contact USA
586 Fulling Mill Road
Middletown, PA 17057, United States
(+717) 944-1300
info@phoenixcon.com