

# NBC-MS/10,0-94B/R4QC SCO - Network cable



1407433

<https://www.phoenixcontact.com/us/products/1407433>

Please be informed that the data shown in this PDF document is generated from our online catalog. Please find the complete data in the user documentation. Our general terms of use for downloads are valid.



Network cable, Ethernet CAT5 (1 Gbps), 8-position, PUR halogen-free, water blue RAL 5021, shielded, Plug straight M12 SPEEDCON, coding: A / IP67, on Plug straight RJ45 Push Pull / IP67, cable length: 10 m

## Commercial data

|                                      |               |
|--------------------------------------|---------------|
| Item number                          | 1407433       |
| Packing unit                         | 1 pc          |
| Minimum order quantity               | 1 pc          |
| Sales key                            | BF04          |
| Product key                          | AF1CMI        |
| GTIN                                 | 4046356775557 |
| Weight per piece (including packing) | 534.7 g       |
| Weight per piece (excluding packing) | 469.9 g       |
| Customs tariff number                | 85444210      |
| Country of origin                    | PL            |

1407433

<https://www.phoenixcontact.com/us/products/1407433>

## Technical data

### Product properties

|                     |                         |
|---------------------|-------------------------|
| Product type        | Data cable preassembled |
| Application         | Standard                |
| Number of positions | 8                       |
| Shielded            | yes                     |
| Coding              | A                       |

### Interfaces

|                      |  |
|----------------------|--|
| Bus system           | Ethernet                                   |
| Signal type/category | Ethernet CAT5 (based on IEC 11801), 1 Gbps |

### Signaling

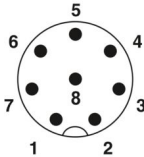
|                        |    |
|------------------------|----|
| Status display         | no |
| Status display present | no |

### Electrical properties

|   |                       |
|---|-----------------------|
| Nominal voltage $U_N$                   | 30 V AC               |
|   | 30 V DC               |
| Nominal current $I_N$                   | 1 A                   |
| Transmission medium                     | Copper                |
| Transmission speed                      | 1 Gbps                |
| Transmission characteristics (category) | CAT5 (IEC 11801:2002) |

### Connector

#### Connection 1

|                             |  |
|-----------------------------|--|
| Dimensional drawing         |  <p>Pin assignment M12 plug, 8-pos., A-coded, view plug side</p> |
| Type                        | M12 Plug, angled, 8-position, shielded (Advanced Shielding Technology), Keying: A  |
| Number of positions         | 8  |
| Shielded                    | yes  |
| Shielding                   | Advanced Shielding Technology  |
| Signal type/category        | Ethernet CAT5, 1 bps   |
| Insertion/withdrawal cycles | ≥ 100  |
| Insulation resistance       | ≥ 100 Ω  |
| Overvoltage category        | II   |

# NBC-MS/10,0-94B/R4QC SCO - Network cable

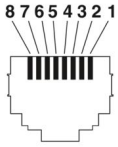


1407433

<https://www.phoenixcontact.com/us/products/1407433>

|  |   |
|--|---|
| Degree of pollution                    | 3   |
| Tightening torque                      | 0.4 Nm (M12 connector)                      |
| Material Contact                       | CuZn  |
| Material Contact surface               | Ni/Au                                       |
| Material Contact carrier               | PA 6.6                                      |
| Material Screw connection              | Die-cast zinc, nickel-plated                |
| Material Grip body                     | TPU, hardly inflammable, self-extinguishing |
| Material Seal                          | FKM   |
| Flammability rating according to UL 94 | V0  |
| Ambient temperature (operation)        | -25 °C ... 85 °C                            |
| Standard designation                   | M12 connector                               |
| Standards/regulations                  | IEC 61076-2-101                             |

## Connection 2

|  |  |
|--|--|
| Dimensional drawing                    |  <p>Connector pin assignment plug RJ45</p> |
| Type                                   | RJ45 Plug, straight, 8-position, Push Pull   |
| Number of positions                    | 8  |
| Signal type/category                   | Ethernet CAT5 (IEC 11801:2002), 1 Gbps   |
| Insertion/withdrawal cycles            | ≥ 750  |
| Overvoltage category                   | I  |
| Degree of pollution                    | 2  |
| Material Contact                       | CuSn   |
| Material Contact surface               | Ni/Au  |
| Material Contact carrier               | PC   |
| Material Housing                       | PA-GF  |
| Color (Housing)                        | black  |
| Flammability rating according to UL 94 | V0   |
| Degree of protection                   | IP67<br>IP65   |
| Ambient temperature (operation)        | -40 °C ... 70 °C   |

## Cable/line

|              |      |
|--------------|------|
| Cable length | 10 m |
|--------------|------|

Ethernet flexible CAT5, 4-pair [94B]

# NBC-MS/10,0-94B/R4QC SCO - Network cable



1407433

<https://www.phoenixcontact.com/us/products/1407433>

|   |  |
|---|--|
| Dimensional drawing                           |  |
| Cable weight                                  | 47 kg/km   |
| UL AWM Style                                  | 20963 (80°C/30 V)  |
| Number of positions                           | 8  |
| Shielded                                      | yes  |
| Cable type                                    | Ethernet flexible CAT5, 4-pair [94B]   |
| Conductor structure                           | 4x2xAWG26/7, SF/UTP  |
| Signal runtime                                | 5.3 ns/m   |
| Conductor structure signal line               | 7x 0.16 mm   |
| AWG signal line                               | 26   |
| Conductor cross-section                       | 4x 2x 0.14 mm <sup>2</sup>   |
| Wire diameter incl. insulation                | 0.96 mm  |
| External cable diameter                       | 6.40 mm ±0.2 mm  |
| Outer sheath, material                        | PUR  |
| External sheath, color                        | water blue RAL 5021  |
| Conductor material                            | Bare Cu litz wires   |
| Material wire insulation                      | Foamed PE  |
| Single wire, color                            | white/blue-blue, white/orange-orange, white/green-green, white/brown-brown         |
| Thickness, outer sheath                       | 1.05 mm  |
| Twisted pairs                                 | 2 cores to the pair  |
| Overall twist                                 | 4 pairs for core   |
| Optical shield covering                       | 70 %   |
| Insulation resistance                         | ≥ 5 GΩ*km  |
| Coupling resistance                           | ≤ 100.00 mΩ/m (at 10 MHz)  |
| Loop resistance                               | ≤ 290.00 Ω/km  |
| Wave impedance                                | 100 Ω ±5 Ω (at 100 MHz)  |
| Cable capacity                                | 48 nF/km (at 1 kHz)  |
| Nominal voltage, cable                        | ≤ 100 V  |
| Test voltage Core/Core                        | 700 V (50 Hz, 1 min.)  |
| Test voltage Core/Shield                      | 700.00 V (50 Hz, 1 min.)   |
| Minimum bending radius, fixed installation    | 4 x D  |
| Minimum bending radius, flexible installation | 8 x D  |
| Smallest bending radius, fixed installation   | 26 mm  |
| Smallest bending radius, movable installation | 52 mm  |
| Tensile strength                              | ≤ 100 N  |
|   | 71.3 dB (with 1 MHz)   |

# NBC-MS/10,0-94B/R4QC SCO - Network cable



1407433

<https://www.phoenixcontact.com/us/products/1407433>

|  |   |
|--|---|
| Near end crosstalk attenuation (NEXT)                  | 62.3 dB (at 4 MHz)                              |
|  | 56.3 dB (at 10 MHz)                             |
|  | 53.2 dB (at 16 MHz)                             |
|  | 51.8 dB (at 20 MHz)                             |
|  | 48.9 dB (at 31.25 MHz)                          |
|  | 44.4 dB (at 62.5 MHz)                           |
|  | 41.3 dB (at 100 MHz)                            |
| Power-summated near end crosstalk attenuation (PSNEXT) | 62.3 dB (with 1 MHz)                            |
|  | 53.3 dB (at 4 MHz)                              |
|  | 47.3 dB (at 10 MHz)                             |
|  | 44.2 dB (at 16 MHz)                             |
|  | 42.8 dB (at 20 MHz)                             |
|  | 39.9 dB (at 31.25 MHz)                          |
|  | 35.4 dB (at 62.5 MHz)                           |
| Return attenuation (RL)                                | 32.3 dB (at 100 MHz)                            |
|  | 23 dB (at 4 MHz)                                |
|  | 24.1 dB (at 8 MHz)                              |
|  | 25 dB (at 10 MHz)                               |
|  | 25 dB (at 16 MHz)                               |
|  | 25 dB (at 20 MHz)                               |
|  | 23.6 dB (at 31.25 MHz)                          |
|  | 21.5 dB (at 62.5 MHz)                           |
| Shield attenuation                                     | 20.1 dB (at 100 MHz)                            |
|  | 3.2 dB (with 1 MHz)                             |
|  | 6 dB (at 4 MHz)                                 |
|  | 9.5 dB (at 10 MHz)                              |
|  | 12.1 dB (at 16 MHz)                             |
|  | 13.6 dB (at 20 MHz)                             |
|  | 17.1 dB (at 31.25 MHz)                          |
|  | 24.8 dB (at 62.5 MHz)                           |
| 32 dB (at 100 MHz)                                     |   |
| Halogen-free   | according to IEC 60754-1                        |
| Flame resistance                                       | according to IEC 60332-1-2                      |
| Resistance to oil                                      | in accordance with EN 60811-2-1                 |
| Ambient temperature (operation)                        | -40 °C ... 80 °C (cable, fixed installation)    |
|  | -20 °C ... 80 °C (Cable, flexible installation) |
| Ambient temperature (installation)                     | -20 °C ... 80 °C                                |

## Environmental and real-life conditions

### Ambient conditions

|                      |                       |
|----------------------|-----------------------|
| Degree of protection | IP65 (M12 connector)  |
|                      | IP67 (M12 connector)  |
|                      | IP67 (RJ45 connector) |

# NBC-MS/10,0-94B/R4QC SCO - Network cable



1407433

<https://www.phoenixcontact.com/us/products/1407433>

|   |                                   |
|---|-----------------------------------|
| Ambient temperature (operation) (male connector/female connector) | -25 °C ... 90 °C (M12 connector)  |
|   | -40 °C ... 70 °C (RJ45 connector) |

## Standards and regulations

### M12

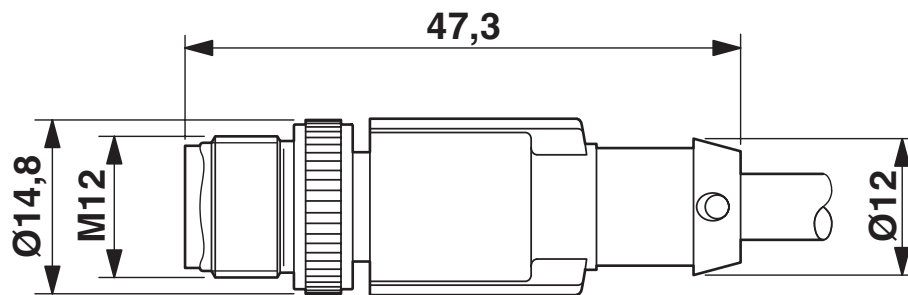
|                          |                 |
|--------------------------|-----------------|
| Standard designation     | M12 connector   |
| Standards/specifications | IEC 61076-2-101 |

1407433

<https://www.phoenixcontact.com/us/products/1407433>

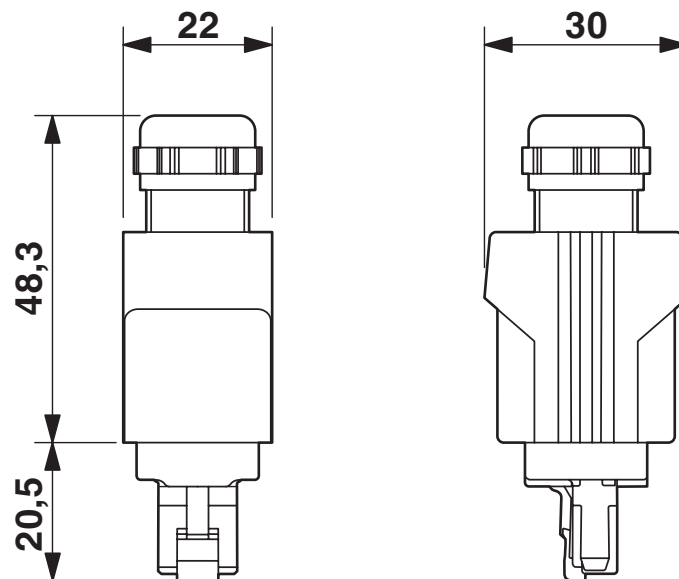
## Drawings

Dimensional drawing



Plug, M12 x 1, straight, shielded

Dimensional drawing



RJ45 Push-Pull connector, IP67

1407433

<https://www.phoenixcontact.com/us/products/1407433>

Schematic diagram



Pin assignment M12 plug, 8-pos., A-coded, view plug side

Schematic diagram



Connector pin assignment plug RJ45

1407433

<https://www.phoenixcontact.com/us/products/1407433>

Circuit diagram



Contact assignment of the M12 and RJ45 plug

# NBC-MS/10,0-94B/R4QC SCO - Network cable



1407433

<https://www.phoenixcontact.com/us/products/1407433>

## Classifications

### ECLASS

|             |          |
|-------------|----------|
| ECLASS-13.0 | 27060307 |
| ECLASS-15.0 | 27060307 |

### ETIM

|          |          |
|----------|----------|
| ETIM 9.0 | EC001855 |
|----------|----------|

### UNSPSC

|             |          |
|-------------|----------|
| UNSPSC 21.0 | 26121600 |
|-------------|----------|

1407433

<https://www.phoenixcontact.com/us/products/1407433>

## Environmental product compliance

### EU RoHS

|   |                    |
|---|--------------------|
| Fulfills EU RoHS substance requirements | Yes, No exemptions |
|---|--------------------|

### China RoHS

|  |  |
|--|--|
| Environment friendly use period (EFUP) | EFUP-E                                   |
|  | No hazardous substances above the limits |

### EU REACH SVHC

|                                     |   |
|-------------------------------------|---|
| REACH candidate substance (CAS No.) | 6,6'-di-tert-butyl-2,2'-methylenedi-p-cresol(CAS: 119-47-1) |
| SCIP                                | b3a29853-1b99-4378-a57a-f5f0cd0bbab1                        |

### EF3.1 Climate Change

|         |               |
|---------|---------------|
| CO2e kg | 8.763 kg CO2e |
|---------|---------------|

Phoenix Contact 2026 © - all rights reserved

<https://www.phoenixcontact.com>

Phoenix Contact USA  
586 Fulling Mill Road  
Middletown, PA 17057, United States  
(+717) 944-1300  
[info@phoenixcon.com](mailto:info@phoenixcon.com)