

CUC-V04-RJ45-POBK-8 - RJ45 connector



1407413

<https://www.phoenixcontact.com/us/products/1407413>

Please be informed that the data shown in this PDF document is generated from our online catalog. Please find the complete data in the user documentation. Our general terms of use for downloads are valid.



RJ45 connector, IP65/IP67, with push/pull interlocking (version 4), plastic housing, for 10 Gbps, for 24 ... 28 AWG stranded conductors

Your advantages

- Push-pull interlocking
- Compact design
- IP67 protection class

Commercial data

Item number	1407413
Packing unit	1 pc
Note	Made to order (non-returnable)
Sales key	NULL
Product key	ABNMAY
GTIN	4046356772327
Weight per piece (including packing)	50 g
Weight per piece (excluding packing)	50 g
Customs tariff number	85366990
Country of origin	RO

CUC-V04-RJ45-POBK-8 - RJ45 connector

1407413

<https://www.phoenixcontact.com/us/products/1407413>

Technical data

Product properties

Product type	Data plug
Number of positions	8
Connection profile	RJ45
No. of cable outlets	1
Shielded	no
Cable outlet	straight

Insulation characteristics

Overvoltage category	I
Degree of pollution	2

Electrical properties

Transmission characteristics (category)	CAT6 _A
---	-------------------

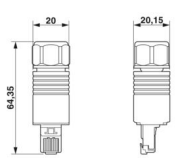
Connection data

Connection method	Crimp connection
-------------------	------------------

Interfaces

Signal type/category	Ethernet CAT6 _A
----------------------	----------------------------

Dimensions

Dimensional drawing	
Width	20 mm
Height	20 mm
Length	62 mm
Thread type on seal side	Pg9

Material specifications

Color	black
Flammability rating according to UL 94	V0
Housing material	Plastic

Cable/line

Signal type/category	Ethernet CAT6 _A
External cable diameter	4.9 mm ... 8.6 mm
External cable diameter	4.9 mm ... 8.6 mm
Individual wire diameter	≥ 1.05 mm (Max. 1.05 mm)

CUC-V04-RJ45-POBK-8 - RJ45 connector



1407413

<https://www.phoenixcontact.com/us/products/1407413>

Mechanical properties

Mechanical data

Insertion/withdrawal cycles	≥ 750
-----------------------------	-------

Environmental and real-life conditions

Ambient conditions

Degree of protection	IP65
	IP65/IP67
Ambient temperature (operation)	-40 °C ... 70 °C
Ambient temperature (storage/transport)	-40 °C ... 70 °C

Standards and regulations

Standards/specifications	IEC 61076-3-106
--------------------------	-----------------

CUC-V04-RJ45-POBK-8 - RJ45 connector

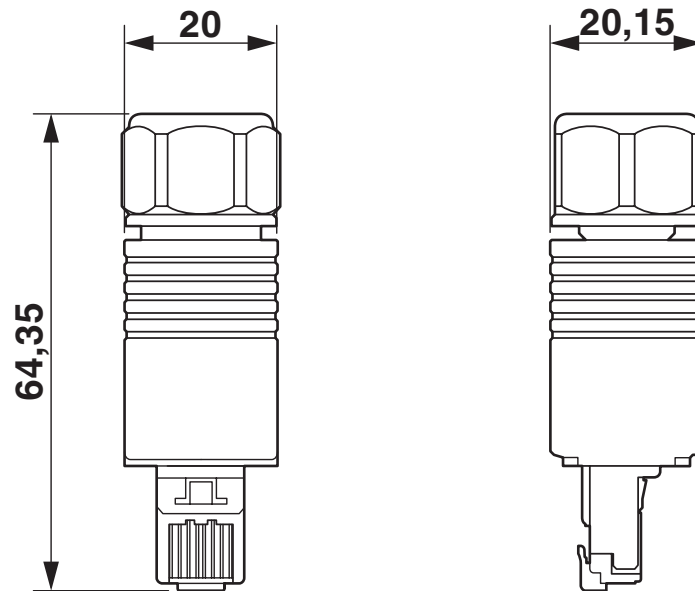
1407413

<https://www.phoenixcontact.com/us/products/1407413>



Drawings

Dimensional drawing



Dimensional drawing

CUC-V04-RJ45-POBK-8 - RJ45 connector



1407413

<https://www.phoenixcontact.com/us/products/1407413>

Environmental product compliance

EU RoHS

Fulfills EU RoHS substance requirements	Yes, No exemptions
---	--------------------

China RoHS

Environment friendly use period (EFUP)	EFUP-E
	No hazardous substances above the limits

EU REACH SVHC

REACH candidate substance (CAS No.)	No substance above 0.1 wt%
-------------------------------------	----------------------------

Phoenix Contact 2026 © - all rights reserved

<https://www.phoenixcontact.com>

Phoenix Contact USA
586 Fulling Mill Road
Middletown, PA 17057, United States
(+717) 944-1300
info@phoenixcon.com