

CUC-V04-F-BU/BU-RJ45 - Panel mounting frame set



1407412

<https://www.phoenixcontact.com/us/products/1407412>

Please be informed that the data shown in this PDF document is generated from our online catalog. Please find the complete data in the user documentation. Our general terms of use for downloads are valid.



Panel mounting frame set, degree of protection: IP65/IP67, number of positions: 8, material: Plastic, color: black, Ethernet

Commercial data

Item number	1407412
Packing unit	1 pc
Note	Made to order (non-returnable)
Sales key	NULL
Product key	ABNMAY
GTIN	4046356772310
Weight per piece (including packing)	19 g
Weight per piece (excluding packing)	19 g
Customs tariff number	85366990
Country of origin	RO

1407412

<https://www.phoenixcontact.com/us/products/1407412>

Technical data

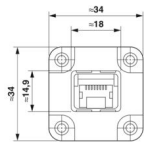
Product properties

Product type	Female insert
Type	Panel feed-through
Number of positions	8
Connection profile	RJ45

Interfaces

Signal type/category	Ethernet
----------------------	----------

Dimensions

Dimensional drawing	
Width	34 mm
Height	34 mm
Length	48 mm

Material specifications

Color	black
Flammability rating according to UL 94	V0
Housing material	Plastic

Cable/line

Signal type/category	Ethernet
----------------------	----------

Mechanical properties

Mechanical data

Insertion/withdrawal cycles	≥ 750
-----------------------------	-------

Environmental and real-life conditions

Ambient conditions

Degree of protection	IP65 IP65/IP67
Ambient temperature (operation)	-40 °C ... 70 °C
Ambient temperature (storage/transport)	-40 °C ... 70 °C

Standards and regulations

Standards/specifications	IEC 61076-3-106
--------------------------	-----------------

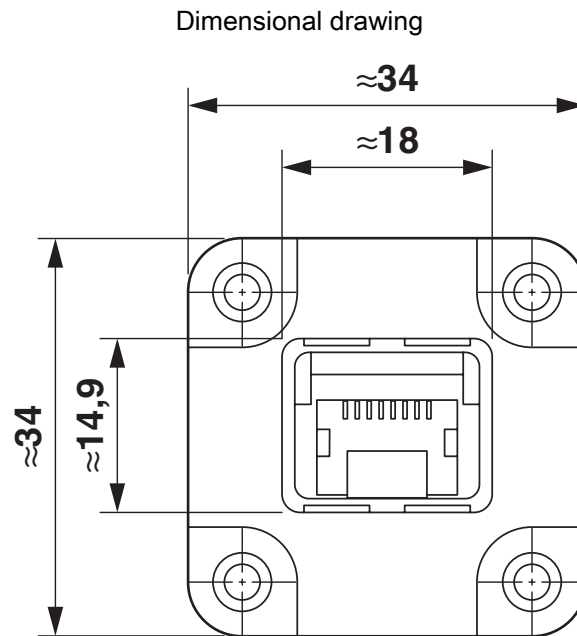
CUC-V04-F-BU/BU-RJ45 - Panel mounting frame set



1407412

<https://www.phoenixcontact.com/us/products/1407412>

Drawings



Panel mounting frame dimensional drawing

CUC-V04-F-BU/BU-RJ45 - Panel mounting frame set



1407412

<https://www.phoenixcontact.com/us/products/1407412>

Environmental product compliance

EU RoHS

Fulfills EU RoHS substance requirements	Yes, No exemptions
---	--------------------

China RoHS

Environment friendly use period (EFUP)	EFUP-E
	No hazardous substances above the limits

EU REACH SVHC

REACH candidate substance (CAS No.)	No substance above 0.1 wt%
-------------------------------------	----------------------------

Phoenix Contact 2026 © - all rights reserved
<https://www.phoenixcontact.com>

Phoenix Contact USA
586 Fulling Mill Road
Middletown, PA 17057, United States
(+717) 944-1300
info@phoenixcon.com