

CUC-V04-F-POBK-90 - Panel-mount frame



1407411

<https://www.phoenixcontact.com/us/products/1407411>

Please be informed that the data shown in this PDF document is generated from our online catalog. Please find the complete data in the user documentation. Our general terms of use for downloads are valid.

Panel-mount frame, degree of protection: IP65/IP67, material: Plastic, color: black



Commercial data

Item number	1407411
Packing unit	1 pc
Note	Made to order (non-returnable)
Sales key	NULL
Product key	ABNMAY
GTIN	4046356771801
Weight per piece (including packing)	7.2 g
Weight per piece (excluding packing)	7.2 g
Customs tariff number	85389099
Country of origin	DE

CUC-V04-F-POBK-90 - Panel-mount frame



1407411

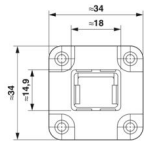
<https://www.phoenixcontact.com/us/products/1407411>

Technical data

Product properties

Product type	Panel-mount frame
Type	Panel-mount frame

Dimensions

Dimensional drawing	
Width	34 mm
Height	34 mm
Length	36 mm

Material specifications

Color	black
Flammability rating according to UL 94	V0
Housing material	Plastic

Mechanical properties

Mechanical data

Insertion/withdrawal cycles	≥ 750
-----------------------------	-------

Environmental and real-life conditions

Ambient conditions

Degree of protection	IP65
	IP65/IP67
Ambient temperature (operation)	-40 °C ... 70 °C
Ambient temperature (storage/transport)	-40 °C ... 70 °C

Standards and regulations

Standards/specifications	IEC 61076-3-106
--------------------------	-----------------

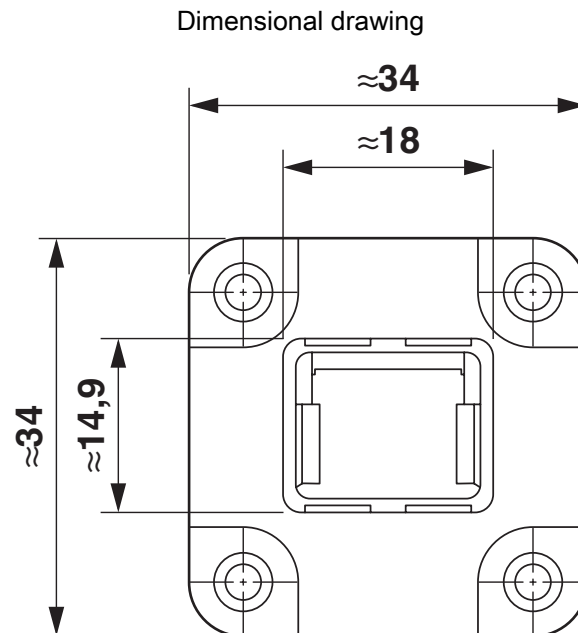
CUC-V04-F-POBK-90 - Panel-mount frame



1407411

<https://www.phoenixcontact.com/us/products/1407411>

Drawings



Panel mounting frame dimensional drawing

CUC-V04-F-POBK-90 - Panel-mount frame



1407411

<https://www.phoenixcontact.com/us/products/1407411>

Environmental product compliance

EU RoHS

Fulfills EU RoHS substance requirements	Yes, No exemptions
---	--------------------

China RoHS

Environment friendly use period (EFUP)	EFUP-E
	No hazardous substances above the limits

EU REACH SVHC

REACH candidate substance (CAS No.)	No substance above 0.1 wt%
-------------------------------------	----------------------------

Phoenix Contact 2026 © - all rights reserved
<https://www.phoenixcontact.com>

Phoenix Contact USA
586 Fulling Mill Road
Middletown, PA 17057, United States
(+717) 944-1300
info@phoenixcon.com