

# CUC-V04-BU-90 - RJ45 jack insert



1407408

<https://www.phoenixcontact.com/us/products/1407408>

Please be informed that the data shown in this PDF document is generated from our online catalog. Please find the complete data in the user documentation. Our general terms of use for downloads are valid.



RJ45 jack insert, design: RJ45, IP20, degree of protection: IP20, number of positions: 8, CAT5, material: Copper alloy, connection method: Solder connection, Ethernet

## Commercial data

Item number	1407408
Packing unit	1 pc
Note	Made to order (non-returnable)
Sales key	NULL
Product key	ABNADA
GTIN	4046356772280
Weight per piece (including packing)	6.3 g
Weight per piece (excluding packing)	6.3 g
Customs tariff number	85366990
Country of origin	DE

# CUC-V04-BU-90 - RJ45 jack insert



1407408

<https://www.phoenixcontact.com/us/products/1407408>

## Technical data

### Product properties

Product type	Data connector (device side)
Type	Female
Number of positions	8
Connection profile	RJ45

### Electrical properties

Rated voltage (III/3)	125 V
Rated surge voltage	125 V
Rated current	1.5 A
Nominal voltage $U_N$	48 V
Nominal current $I_N$	1.5 A

### Connection data

#### Connection technology

Connection method	Solder connection
-------------------	-------------------

### Interfaces

Signal type/category	Ethernet CAT5
----------------------	---------------

### Dimensions

Width	16 mm
Height	15 mm
Length	19 mm

### Material specifications

Flammability rating according to UL 94	V0
Housing material	Copper alloy

### Cable/line

Signal type/category	Ethernet CAT5
----------------------	---------------

### Mechanical properties

#### Mechanical data

Insertion/withdrawal cycles	≥ 750
-----------------------------	-------

### Environmental and real-life conditions

#### Ambient conditions

Degree of protection	IP20
	IP20
Ambient temperature (operation)	-40 °C ... 70 °C

# CUC-V04-BU-90 - RJ45 jack insert



1407408

<https://www.phoenixcontact.com/us/products/1407408>

Ambient temperature (storage/transport)	-40 °C ... 70 °C
---	------------------

## Standards and regulations

Standards/specifications	IEC 60603-7
--------------------------	-------------

# CUC-V04-BU-90 - RJ45 jack insert

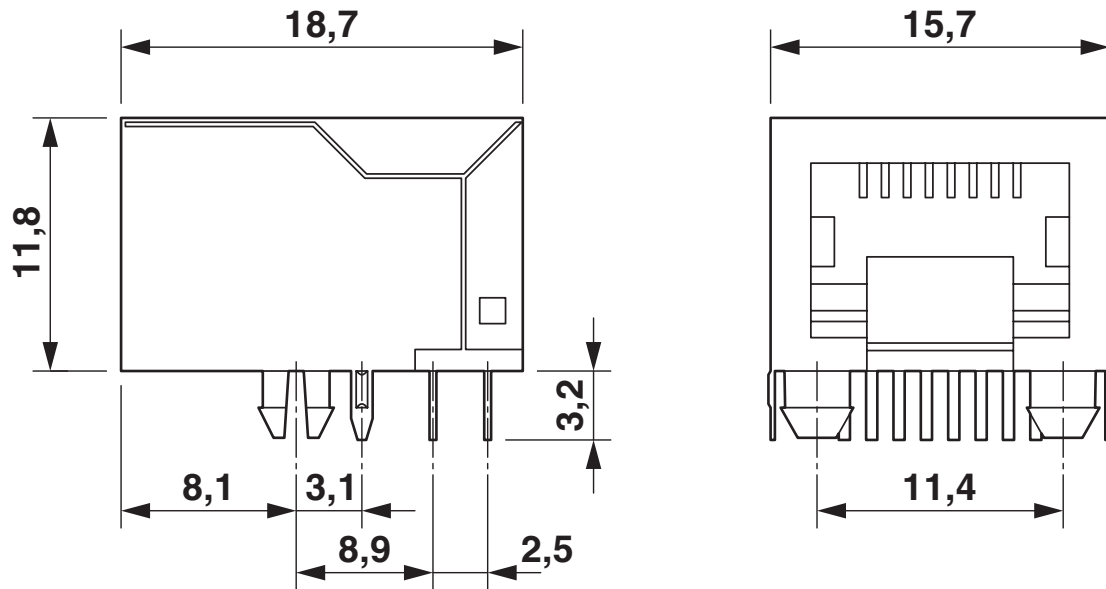


1407408

<https://www.phoenixcontact.com/us/products/1407408>

## Drawings

Dimensional drawing



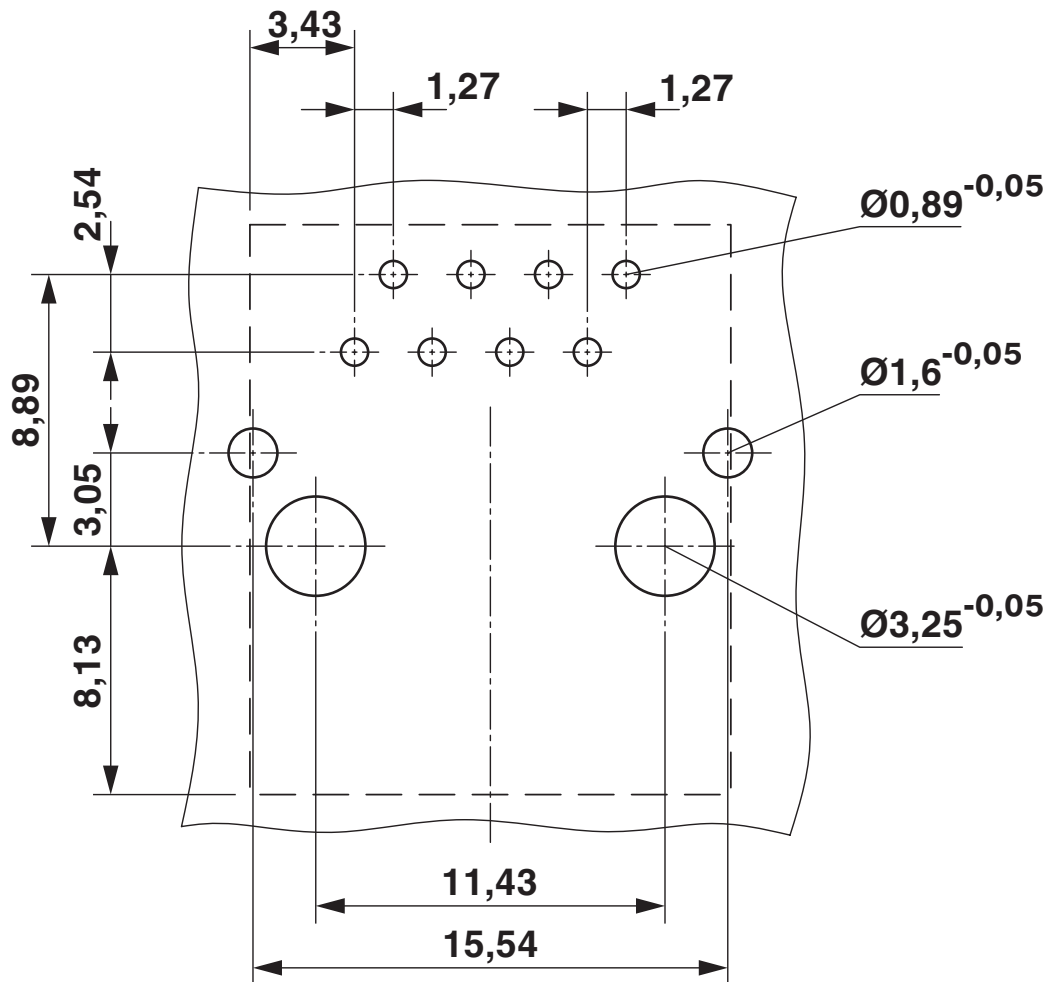
# CUC-V04-BU-90 - RJ45 jack insert



1407408

<https://www.phoenixcontact.com/us/products/1407408>

Drilling plan/solder pad geometry



# CUC-V04-BU-90 - RJ45 jack insert



1407408

<https://www.phoenixcontact.com/us/products/1407408>

## Classifications

### ECLASS

ECLASS-13.0	27460201
ECLASS-15.0	27460201

# CUC-V04-BU-90 - RJ45 jack insert



1407408

<https://www.phoenixcontact.com/us/products/1407408>

## Environmental product compliance

### EU RoHS

Fulfills EU RoHS substance requirements	Yes, No exemptions
---	--------------------

### China RoHS

Environment friendly use period (EFUP)	EFUP-E
	No hazardous substances above the limits

### EU REACH SVHC

REACH candidate substance (CAS No.)	No substance above 0.1 wt%
-------------------------------------	----------------------------

Phoenix Contact 2026 © - all rights reserved  
<https://www.phoenixcontact.com>

Phoenix Contact USA  
586 Fulling Mill Road  
Middletown, PA 17057, United States  
(+717) 944-1300  
[info@phoenixcon.com](mailto:info@phoenixcon.com)