

NBC-M12MS/10,0-94B - Network cable



1407407

<https://www.phoenixcontact.com/us/products/1407407>

Please be informed that the data shown in this PDF document is generated from our online catalog. Please find the complete data in the user documentation. Our general terms of use for downloads are valid.



Network cable, Ethernet CAT5 (1 Gbps), 8-position, PUR halogen-free, water blue RAL 5021, shielded (Advanced Shielding Technology), Plug straight M12, coding: A / IP67, on free cable end, cable length: 10 m

Commercial data

| | |
|--------------------------------------|---------------|
| Item number | 1407407 |
| Packing unit | 1 pc |
| Minimum order quantity | 1 pc |
| Sales key | BF04 |
| Product key | AF1CMI |
| GTIN | 4046356775359 |
| Weight per piece (including packing) | 483 g |
| Weight per piece (excluding packing) | 465.9 g |
| Customs tariff number | 85444210 |
| Country of origin | PL |

1407407

<https://www.phoenixcontact.com/us/products/1407407>

Technical data

Product properties

| | |
|---------------------|-------------------------|
| Product type | Data cable preassembled |
| Application | Standard |
| Number of positions | 8 |
| Shielded | yes |

Interfaces

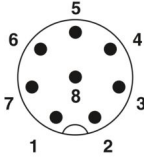
| | |
|----------------------|--|
| Signal type/category | Ethernet CAT5 (based on IEC 11801), 1 Gbps |
|----------------------|--|

Electrical properties

| | |
|-----------------------|---------|
| Nominal voltage U_N | 48 V AC |
| | 60 V DC |
| Nominal current I_N | 2 A |
| Transmission medium | Copper |
| Transmission speed | 1 Gbps |

Connector

Connection 1

| | |
|-----------------------------|--|
| Dimensional drawing |  <p>Pin assignment M12 plug, 8-pos., A-coded, view plug side</p> |
| Type | M12 Plug, angled, 8-position, shielded (Advanced Shielding Technology), Keying: A |
| Number of positions | 8 |
| Shielded | yes |
| Shielding | Advanced Shielding Technology |
| Signal type/category | Ethernet CAT5, 1 bps |
| Insertion/withdrawal cycles | ≥ 100 |
| Insulation resistance | $\geq 100 \Omega$ |
| Overvoltage category | II |
| Degree of pollution | 3 |
| Tightening torque | 0.4 Nm (M12 connector) |
| Material Contact | CuZn |
| Material Contact surface | Ni/Au |
| Material Contact carrier | PA 6.6 |
| Material Screw connection | Die-cast zinc, nickel-plated |
| Material Grip body | TPU, hardly inflammable, self-extinguishing |

NBC-M12MS/10,0-94B - Network cable



1407407

<https://www.phoenixcontact.com/us/products/1407407>

| | |
|--|------------------|
| Material Seal | FKM |
| Flammability rating according to UL 94 | V0 |
| Ambient temperature (operation) | -25 °C ... 85 °C |
| Standard designation | M12 connector |
| Standards/regulations | IEC 61076-2-101 |


Connection 2

| | |
|------|----------------|
| Type | free cable end |
|------|----------------|

Cable/line

| | |
|--------------|------|
| Cable length | 10 m |
|--------------|------|

Ethernet flexible CAT5, 4-pair [94B]

| | |
|--------------------------------|---|
| Dimensional drawing |  |
| UL AWM Style | 21238 (80 °C / 600 V) |
| Number of positions | 8 |
| Shielded | yes |
| Cable type | Ethernet flexible CAT5, 4-pair [94B] |
| Conductor structure | 4x2xAWG26/7, SF/UTP |
| AWG signal line | 26 |
| Conductor cross-section | 4x 2x 0.14 mm ² |
| Wire diameter incl. insulation | 0.96 mm ±0.05 mm |
| External cable diameter | 6.40 mm ±0.2 mm |
| Outer sheath, material | PUR |
| External sheath, color | water blue RAL 5021 |
| Conductor material | Bare Cu litz wires |
| Material wire insulation | Foamed PE |
| Single wire, color | white/blue-blue, white/orange-orange, white/green-green, white/brown-brown |
| Twisted pairs | 2 cores to the pair |
| Overall twist | 4 pairs for core |
| Optical shield covering | 70 % |
| Insulation resistance | ≥ 500 MΩ*km |
| Loop resistance | ≤ 290.00 Ω/km |
| Wave impedance | 100 Ω ±5 Ω (at 100 MHz) |
| Nominal voltage, cable | ≤ 100 V |
| Test voltage Core/Core | 2000 V (50 Hz, 1 min.) |
| Test voltage Core/Shield | 2000.00 V (50 Hz, 1 min.) |

NBC-M12MS/10,0-94B - Network cable



1407407

<https://www.phoenixcontact.com/us/products/1407407>

| | |
|---|---|
| Minimum bending radius, fixed installation | 4 x D |
| Minimum bending radius, flexible installation | 8 x D |
| Smallest bending radius, fixed installation | 26 mm |
| Smallest bending radius, movable installation | 51 mm |
| Halogen-free | according to IEC 60754-1 |
| Flame resistance | according to IEC 60332-1-2 |
| | according to CSA C 22.2 No. 210-FT1 |
| Resistance to oil | in accordance with EN 60811-2-1 |
| Ambient temperature (operation) | -40 °C ... 80 °C (cable, fixed installation) |
| | -20 °C ... 80 °C (Cable, flexible installation) |

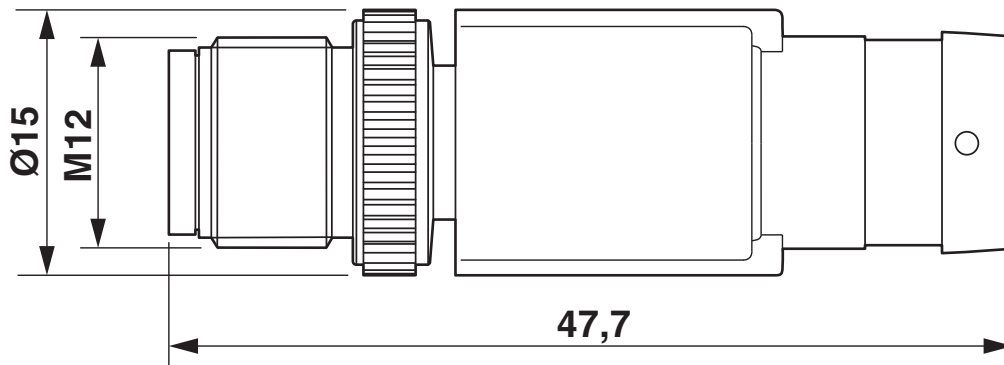
Environmental and real-life conditions

Ambient conditions

| | |
|----------------------|------|
| Degree of protection | IP65 |
| | IP67 |

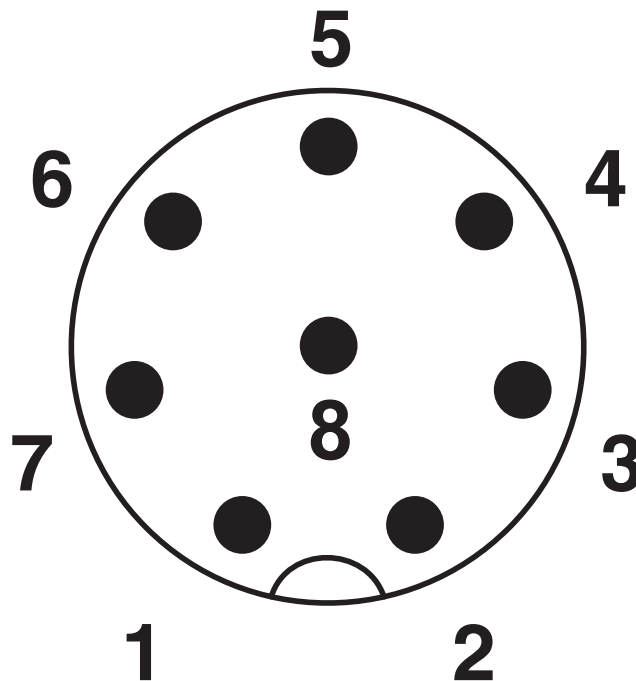
Drawings

Dimensional drawing



Plug, M12 x 1, straight, shielded

Schematic diagram

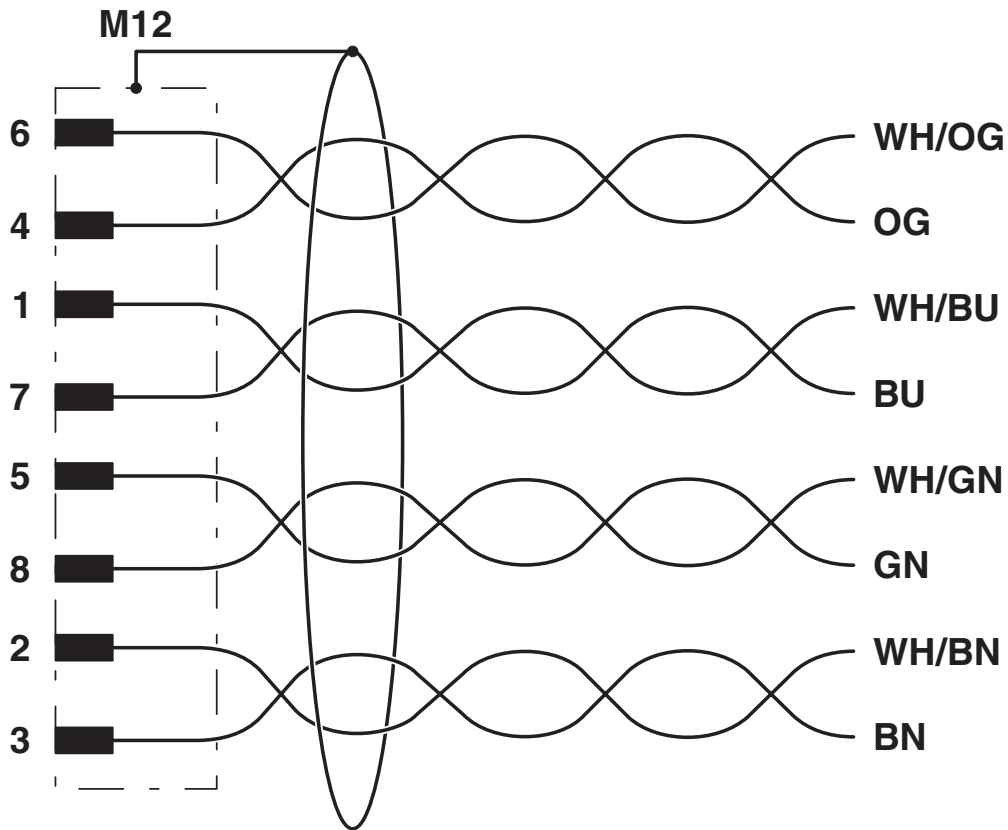


Pin assignment M12 plug, 8-pos., A-coded, view plug side

1407407

<https://www.phoenixcontact.com/us/products/1407407>

Circuit diagram



Contact assignment of the M12 plug

NBC-M12MS/10,0-94B - Network cable





1407407


<https://www.phoenixcontact.com/us/products/1407407>

Approvals

To download certificates, visit the product detail page: <https://www.phoenixcontact.com/us/products/1407407>

|  cUL Recognized Approval ID: FILE E 335024 | | | | |
|---|-----------------------|-----------------------|-------------------|-----------------------------|
| | Nominal voltage U_N | Nominal current I_N | Cross section AWG | Cross section mm^2 |
| keine | | | | |
| | 30 V | 1.5 A | - | - |

|  UL Recognized Approval ID: FILE E 335024 | | | | |
|--|-----------------------|-----------------------|-------------------|-----------------------------|
| | Nominal voltage U_N | Nominal current I_N | Cross section AWG | Cross section mm^2 |
| keine | | | | |
| | 30 V | 1.5 A | - | - |

|  EAC-RoHS Approval ID: RU D-DE.HB35.B.00387 | | | | |
|--|--|--|--|--|
|--|--|--|--|--|

NBC-M12MS/10,0-94B - Network cable



1407407

<https://www.phoenixcontact.com/us/products/1407407>

Classifications

ECLASS

| | |
|-------------|----------|
| ECLASS-13.0 | 27060307 |
| ECLASS-15.0 | 27060307 |

UNSPSC

| | |
|-------------|----------|
| UNSPSC 21.0 | 26121600 |
|-------------|----------|

NBC-M12MS/10,0-94B - Network cable



1407407

<https://www.phoenixcontact.com/us/products/1407407>

Environmental product compliance

EU RoHS

| | |
|---|--------------------|
| Fulfills EU RoHS substance requirements | Yes, No exemptions |
|---|--------------------|

China RoHS

| | |
|--|--|
| Environment friendly use period (EFUP) | EFUP-E |
| | No hazardous substances above the limits |

EU REACH SVHC

| | |
|-------------------------------------|----------------------------|
| REACH candidate substance (CAS No.) | No substance above 0.1 wt% |
|-------------------------------------|----------------------------|

EF3.1 Climate Change

| | |
|---------|--------------|
| CO2e kg | 7.98 kg CO2e |
|---------|--------------|

Phoenix Contact 2026 © - all rights reserved
<https://www.phoenixcontact.com>

Phoenix Contact USA
586 Fulling Mill Road
Middletown, PA 17057, United States
(+717) 944-1300
info@phoenixcon.com