

VS-25-DSUB/OE-LI-3,2 - D-SUB cable



1406800

<https://www.phoenixcontact.com/us/products/1406800>

Please be informed that the data shown in this PDF document is generated from our online catalog. Please find the complete data in the user documentation. Our general terms of use for downloads are valid.



Assembled D-SUB shielded cable, 25-pos., stranded (7-wire), cable color RAL 7000 (gray), IP20 protection, head 1 with pin shell 3 and straight cable outlet, to open cable end

The figure shows cable version head 1 with female shell 3 on head 2 with male shell 3

Commercial data

Item number	1406800
Packing unit	1 pc
Minimum order quantity	1 pc
Product key	ABNCAS
GTIN	4046356770170
Weight per piece (including packing)	257.2 g
Weight per piece (excluding packing)	257.2 g
Country of origin	CN

VS-25-DSUB/OE-LI-3,2 - D-SUB cable



1406800

<https://www.phoenixcontact.com/us/products/1406800>

Technical data

Product properties

Product type	Data cable preassembled
Sensor type	Universal
Number of positions	25
Shielded	yes
Cable outlet	straight

Insulation characteristics

Overvoltage category	III
Degree of pollution	2

Electrical properties

Rated voltage (III/3)	125 V
Rated current	1 A
Transmission medium	Copper

Mechanical properties

Mechanical data

Insertion/withdrawal cycles	≥ 50
-----------------------------	------

Material specifications

Housing material	PVC
Contact material	Copper alloy
Contact surface material	gold-plated
Outer sheath, material	PVC

Connector

Connection 1

Type	Plug straight D-SUB 25
------	------------------------

Connection 2

Type	free cable end
------	----------------

Cable/line

Outer sheath, material	PVC
Cable cross section	0.08 mm ²
Conductor structure signal line	7.00 mm
AWG signal line	28

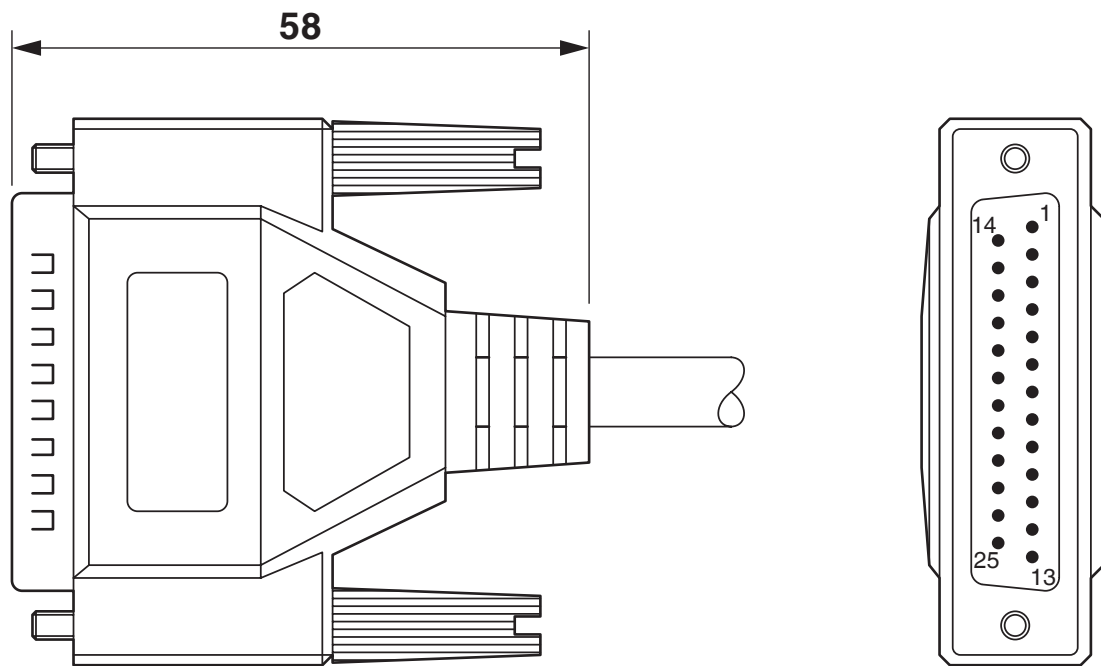
VS-25-DSUB/OE-LI-3,2 - D-SUB cable

1406800

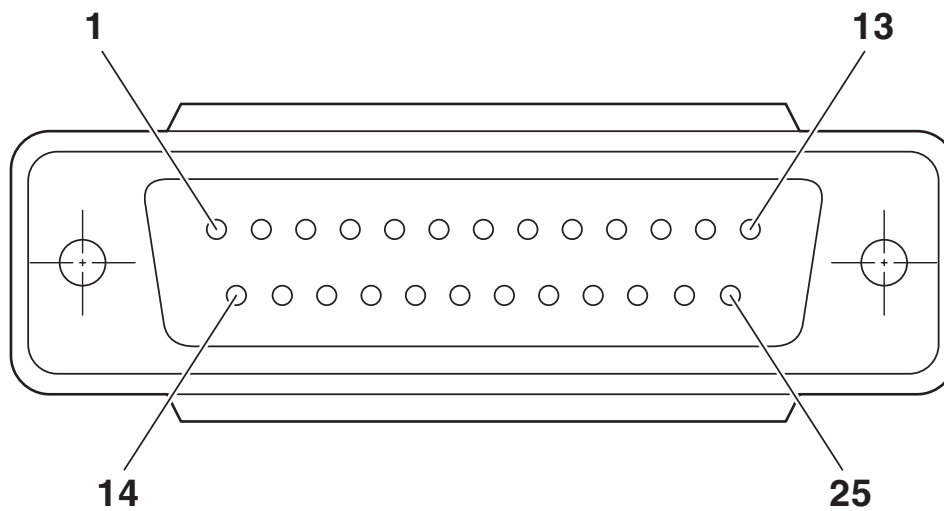
<https://www.phoenixcontact.com/us/products/1406800>

Drawings

Dimensional drawing



Schematic diagram



VS-25-DSUB/OE-LI-3,2 - D-SUB cable



1406800

<https://www.phoenixcontact.com/us/products/1406800>

Classifications

ECLASS

ECLASS-13.0	27060307
ECLASS-15.0	27440322

ETIM

ETIM 10.0	EC001132
-----------	----------

UNSPSC

UNSPSC 21.0	26121600
-------------	----------

VS-25-DSUB/OE-LI-3,2 - D-SUB cable



1406800

<https://www.phoenixcontact.com/us/products/1406800>

Environmental product compliance

EU RoHS

Fulfills EU RoHS substance requirements	Yes, No exemptions
---	--------------------

China RoHS

Environment friendly use period (EFUP)	EFUP-E
	No hazardous substances above the limits

EU REACH SVHC

REACH candidate substance (CAS No.)	No substance above 0.1 wt%
-------------------------------------	----------------------------

Phoenix Contact 2026 © - all rights reserved
<https://www.phoenixcontact.com>

Phoenix Contact USA
586 Fulling Mill Road
Middletown, PA 17057, United States
(+717) 944-1300
info@phoenixcon.com