

# CUC-IND-C1ZNI-T/R4QE8:30 - RJ45 connector



1406357

<https://www.phoenixcontact.com/us/products/1406357>

Please be informed that the data shown in this PDF document is generated from our online catalog. Please find the complete data in the user documentation. Our general terms of use for downloads are valid.



RJ45 connector, degree of protection: IP20, number of positions: 8, 10 Gbps, material: Die-cast zinc, connection method: IDC, connection cross section: AWG 26- 24, cable outlet: angled, High degree of resistance to vibration; 360° shielding; one-piece design; special tool-free assembly

## Commercial data

Item number	1406357
Packing unit	1 pc
Note	Made to order (non-returnable)
Sales key	NULL
Product key	ABNAAA
GTIN	4046356761031
Weight per piece (including packing)	585.6 g
Weight per piece (excluding packing)	585.6 g
Customs tariff number	85366990
Country of origin	DE

1406357

<https://www.phoenixcontact.com/us/products/1406357>

## Technical data

### Product properties

Product type	Data connector (cable side)
Type	RJ45, IP20
Number of positions	8
Connection profile	RJ45
No. of cable outlets	1
Cable outlet	angled

### Electrical properties

Frequency range	to 500 MHz
Transmission speed	10 Gbps
Transmission speed	10 Gbps

### Connection data

#### Connection technology

Connection method	IDC
Connection cross section AWG	26 ... 24 (solid)
	26 ... 24 (flexible)

### Interfaces

Signal type/category	Ethernet, 10 Gbps
----------------------	-------------------

### Material specifications

Flammability rating according to UL 94	V0
Housing material	Die-cast zinc

### Cable/line

Signal type/category	Ethernet, 10 Gbps
External cable diameter	5 mm ... 9 mm
External cable diameter	5 mm ... 9 mm
Wire diameter including insulation	≤ 1.6 mm

### Mechanical properties

#### Mechanical data

Insertion/withdrawal cycles	≥ 750
-----------------------------	-------

### Environmental and real-life conditions

#### Ambient conditions

Degree of protection	IP20
Ambient temperature (operation)	-40 °C ... 70 °C

# CUC-IND-C1ZNI-T/R4QE8:30 - RJ45 connector

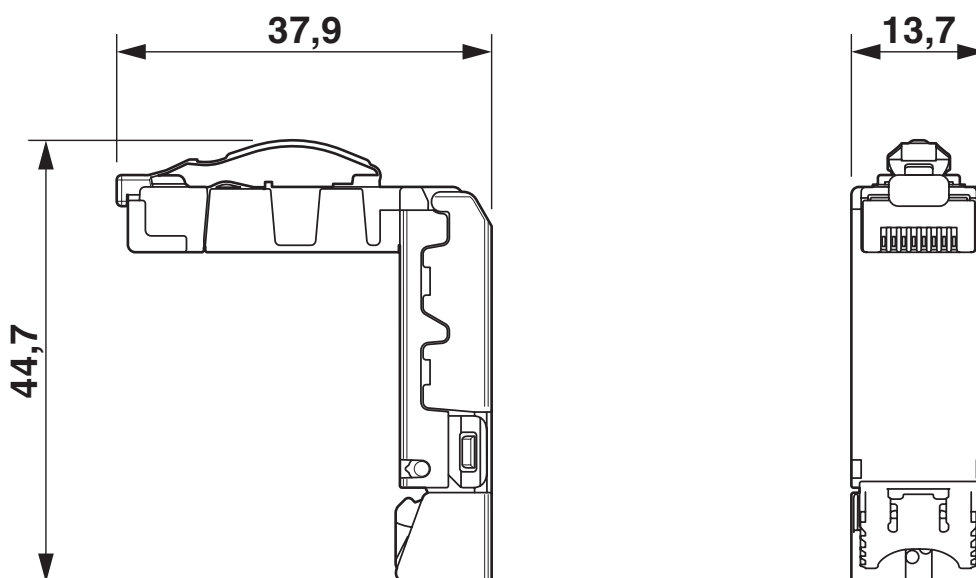


1406357

<https://www.phoenixcontact.com/us/products/1406357>

## Drawings

Dimensional drawing



1406357

<https://www.phoenixcontact.com/us/products/1406357>

## Environmental product compliance

### China RoHS

Environment friendly use period (EFUP)	EFUP-50
	An article-related China RoHS declaration table can be found in the download area for the respective article under "Manufacturer declaration". For all articles with EFUP-E, no China RoHS declaration table issued and required.

### EU REACH SVHC

REACH candidate substance (CAS No.)	No substance above 0.1 wt%
-------------------------------------	----------------------------

Phoenix Contact 2026 © - all rights reserved

<https://www.phoenixcontact.com>

Phoenix Contact USA  
586 Fulling Mill Road  
Middletown, PA 17057, United States  
(+717) 944-1300  
[info@phoenixcon.com](mailto:info@phoenixcon.com)