

CUC-IND-C1ZNI-S/R4QE8 - RJ45 connector



1406333

<https://www.phoenixcontact.com/us/products/1406333>

Please be informed that the data shown in this PDF document is generated from our online catalog. Please find the complete data in the user documentation. Our general terms of use for downloads are valid.



RJ45 connector, degree of protection: IP20, number of positions: 8, 10 Gbps, material: Die-cast zinc, connection method: IDC, connection cross section: AWG 26- 24, cable outlet: straight, High degree of resistance to vibration; 360° shielding; one-piece design; special tool-free assembly

Commercial data

| | |
|--------------------------------------|--------------------------------|
| Item number | 1406333 |
| Packing unit | 1 pc |
| Note | Made to order (non-returnable) |
| Sales key | NULL |
| Product key | ABNAAA |
| GTIN | 4046356760690 |
| Weight per piece (including packing) | 28.8 g |
| Weight per piece (excluding packing) | 28.3 g |
| Customs tariff number | 85366990 |
| Country of origin | DE |

1406333

<https://www.phoenixcontact.com/us/products/1406333>

Technical data

Product properties

| | |
|----------------------|-----------------------------|
| Product type | Data connector (cable side) |
| Type | RJ45, IP20 |
| Sensor type | Ethernet |
| Number of positions | 8 |
| Connection profile | RJ45 |
| No. of cable outlets | 1 |
| Cable outlet | straight |

Electrical properties

| | |
|--------------------|------------|
| Frequency range | to 500 MHz |
| Transmission speed | 10 Gbps |
| Transmission speed | 10 Gbps |

Connection data

| | |
|------------------------------|----------------------|
| Connection technology | |
| Connection method | IDC |
| Connection cross section AWG | 26 ... 24 (solid) |
| | 26 ... 24 (flexible) |

Interfaces

| | |
|----------------------|-------------------|
| Signal type/category | Ethernet, 10 Gbps |
|----------------------|-------------------|

Material specifications

| | |
|--|---------------|
| Flammability rating according to UL 94 | V0 |
| Housing material | Die-cast zinc |

Cable/line

| | |
|------------------------------------|-------------------|
| Signal type/category | Ethernet, 10 Gbps |
| External cable diameter | 5 mm ... 9 mm |
| External cable diameter | 5 mm ... 9 mm |
| Wire diameter including insulation | ≤ 1.6 mm |

Mechanical properties

| | |
|-----------------------------|-------|
| Mechanical data | |
| Insertion/withdrawal cycles | ≥ 750 |

CUC-IND-C1ZNI-S/R4QE8 - RJ45 connector

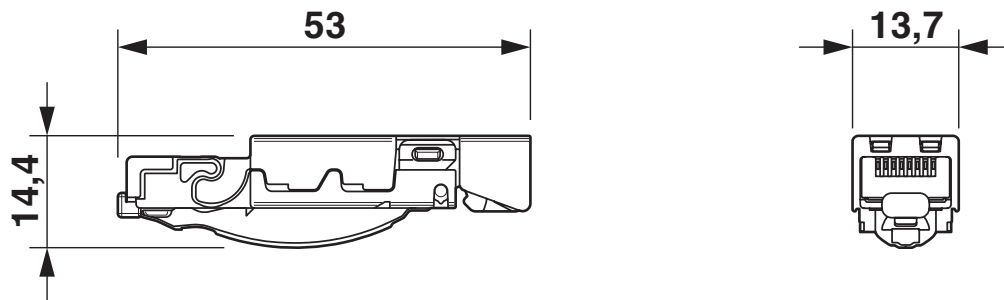


1406333

<https://www.phoenixcontact.com/us/products/1406333>

Drawings

Dimensional drawing



1406333

<https://www.phoenixcontact.com/us/products/1406333>

Environmental product compliance

EU RoHS

| | |
|---|--------------------|
| Fulfills EU RoHS substance requirements | Yes, No exemptions |
|---|--------------------|

China RoHS

| | |
|--|---|
| Environment friendly use period (EFUP) | EFUP-50 |
| | An article-related China RoHS declaration table can be found in the download area for the respective article under "Manufacturer declaration". For all articles with EFUP-E, no China RoHS declaration table issued and required. |

EU REACH SVHC

| | |
|-------------------------------------|----------------------------|
| REACH candidate substance (CAS No.) | No substance above 0.1 wt% |
|-------------------------------------|----------------------------|

Phoenix Contact 2026 © - all rights reserved
<https://www.phoenixcontact.com>

Phoenix Contact USA
586 Fulling Mill Road
Middletown, PA 17057, United States
(+717) 944-1300
info@phoenixcon.com