

# SAC-3P-M8MS/ 1,5-542/M8 FR BK - Sensor/actuator cable



1406273

<https://www.phoenixcontact.com/us/products/1406273>

Please be informed that the data shown in this PDF document is generated from our online catalog. Please find the complete data in the user documentation. Our general terms of use for downloads are valid.



Sensor/actuator cable, 3-position, PVC, yellow, Plug straight M8, on Socket angled M8, cable length: 1.5 m

## Commercial data

|                                      |                                |
|--------------------------------------|--------------------------------|
| Item number                          | 1406273                        |
| Packing unit                         | 1 pc                           |
| Minimum order quantity               | 1 pc                           |
| Note                                 | Made to order (non-returnable) |
| Sales key                            | BF13                           |
| Product key                          | AF1IAA                         |
| GTIN                                 | 4046356797795                  |
| Weight per piece (including packing) | 45.7 g                         |
| Weight per piece (excluding packing) | 43.4 g                         |
| Customs tariff number                | 85444290                       |
| Country of origin                    | US                             |

# SAC-3P-M8MS/ 1,5-542/M8 FR BK - Sensor/actuator cable



1406273

<https://www.phoenixcontact.com/us/products/1406273>

## Technical data

### Product properties

|                      |                       |
|----------------------|-----------------------|
| Product type         | Sensor/actuator cable |
| Application          | Standard, U.S. cables |
| Number of positions  | 3                     |
| No. of cable outlets | 1                     |
| Shielded             | no                    |
| Coding               | A                     |

### Insulation characteristics

|                      |    |
|----------------------|----|
| Overvoltage category | II |
| Degree of pollution  | 3  |

### Material specifications

|  |   |
|--|---|
| Flammability rating according to UL 94 | HB  |
| Seal material                          | NBR   |
| Material of grip body                  | TPU, hardly inflammable, self-extinguishing |
| Contact material                       | CuSn  |
| Contact surface material               | Ni/Au                                       |
| Contact carrier material               | TPU GF                                      |
| Material for screw connection          | Zinc die-cast, nickel-plated                |
| Outer sheath, material                 | PVC   |

### Electrical properties

|                       |                            |
|-----------------------|----------------------------|
| Insulation resistance | $\geq 100 \text{ M}\Omega$ |
| Nominal voltage $U_N$ | 48 V AC                    |
|                       | 60 V DC                    |
| Nominal current $I_N$ | 4 A                        |

### Mechanical properties

#### Mechanical data

|                             |            |
|-----------------------------|------------|
| Insertion/withdrawal cycles | $\geq 100$ |
|-----------------------------|------------|

### Signaling

|                        |    |
|------------------------|----|
| Status display         | no |
| Status display present | no |

### Connection data

#### Conductor connection

|                   |                        |
|-------------------|------------------------|
| Tightening torque | 0.2 Nm (M8 connectors) |
|-------------------|------------------------|

### Connector

# SAC-3P-M8MS/ 1,5-542/M8 FR BK - Sensor/actuator cable



1406273

<https://www.phoenixcontact.com/us/products/1406273>

## Connection 1

|                     |                  |
|---------------------|------------------|
| Type                | Plug straight M8 |
| Number of positions | 3                |

## Connection 2

|                     |                  |
|---------------------|------------------|
| Type                | Socket angled M8 |
| Number of positions | 3                |

## Cable/line

|              |       |
|--------------|-------|
| Cable length | 1.5 m |
|--------------|-------|

## PVC yellow 105 °C [542]

|   |   |
|---|---|
| Dimensional drawing                           |  |
| Cable weight                                  | 21 kg/km  |
| UL AWM Style                                  | 2517 (105 °C / 300 V)   |
| Number of positions                           | 3   |
| Shielded                                      | no  |
| Cable type                                    | PVC yellow 105 °C [542]   |
| Conductor structure signal line               | 7x 0.20 mm  |
| AWG signal line                               | 24  |
| Wire diameter incl. insulation                | 1.12 mm ±0.03 mm  |
| External cable diameter                       | 4.10 mm ±0.2 mm   |
| Outer sheath, material                        | PVC   |
| External sheath, color                        | yellow  |
| Conductor material                            | Tin-plated Cu litz wires  |
| Material wire insulation                      | PVC   |
| Single wire, color                            | brown, blue, black  |
| Overall twist                                 | 3 wires, twisted  |
| Max. conductor resistance                     | max. 79.7 Ω/km (20 °C)  |
| Insulation resistance                         | ≥ (550 M Ohms/m @ 500V)   |
| Nominal voltage, cable                        | 300 V   |
| Minimum bending radius, flexible installation | 8 x D   |
| Smallest bending radius, movable installation | 33 mm   |
| Flame resistance                              | FT4   |
| Other resistance                              | UV resistant  |
| Ambient temperature (operation)               | -30 °C ... 105 °C (cable, fixed installation)                                       |

# SAC-3P-M8MS/ 1,5-542/M8 FR BK - Sensor/actuator cable



1406273

<https://www.phoenixcontact.com/us/products/1406273>

## Environmental and real-life conditions

### Ambient conditions

|   |  |
|---|--|
| Degree of protection  | IP65   |
|   | IP67   |
|   | IP68   |
| Ambient temperature (operation) (male connector/female connector) | -25 °C ... 90 °C (Plug / socket)               |
| Ambient temperature (operation) (Cable, fixed installation)       | -40 °C ... 80 °C (cable, fixed installation)   |
| Ambient temperature (operation) (Cable, flexible installation)    | -5 °C ... 80 °C (Cable, flexible installation) |

## Standards and regulations

|                          |                 |
|--------------------------|-----------------|
| Standard designation     | M8 connector    |
| Standards/specifications | IEC 61076-2-104 |

# SAC-3P-M8MS/ 1,5-542/M8 FR BK - Sensor/actuator cable

1406273

<https://www.phoenixcontact.com/us/products/1406273>

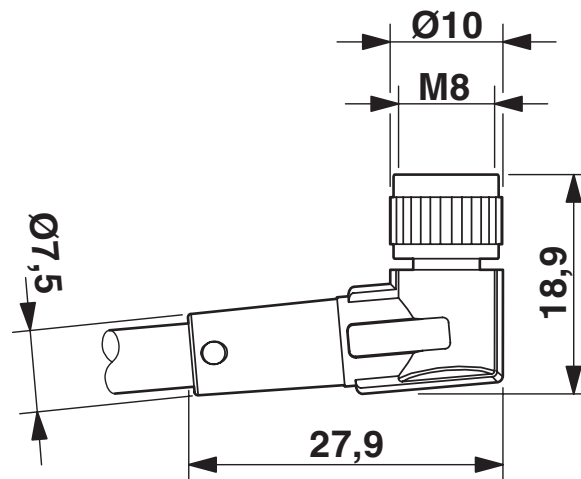
## Drawings

Dimensional drawing



M8 x 1 male plug, straight version

Dimensional drawing



Socket M8 x 1, angled

# SAC-3P-M8MS/ 1,5-542/M8 FR BK - Sensor/actuator cable

1406273

<https://www.phoenixcontact.com/us/products/1406273>

Schematic diagram



Pin assignment M8 plug, 3-pos., view male side

Schematic diagram



Pin assignment M8 socket, 3-pos., view female side

# SAC-3P-M8MS/ 1,5-542/M8 FR BK - Sensor/actuator cable

1406273

<https://www.phoenixcontact.com/us/products/1406273>

Schematic diagram



Layout of connector pin assignments

Circuit diagram



Contact assignment of M8 plugs/sockets

# SAC-3P-M8MS/ 1,5-542/M8 FR BK - Sensor/actuator cable



1406273

<https://www.phoenixcontact.com/us/products/1406273>

## Approvals

To download certificates, visit the product detail page: <https://www.phoenixcontact.com/us/products/1406273>

|  <b>UL Listed</b><br>Approval ID: FILE E 221474 |                       |                       |                   |                             |
|--|-----------------------|-----------------------|-------------------|-----------------------------|
|  | Nominal voltage $U_N$ | Nominal current $I_N$ | Cross section AWG | Cross section $\text{mm}^2$ |
| keine  |                       |                       |                   |                             |
|  | 60 V                  | 4 A                   | -                 | -                           |

|  <b>cUL Listed</b><br>Approval ID: FILE E 221474 |                       |                       |                   |                             |
|---|-----------------------|-----------------------|-------------------|-----------------------------|
|   | Nominal voltage $U_N$ | Nominal current $I_N$ | Cross section AWG | Cross section $\text{mm}^2$ |
| keine   |                       |                       |                   |                             |
|   | 60 V                  | 4 A                   | -                 | -                           |

|  <b>EAC-RoHS</b><br>Approval ID: RU D-DE.HB35.B.00387 |  |
|--|--|
|--|--|

# SAC-3P-M8MS/ 1,5-542/M8 FR BK - Sensor/actuator cable



1406273

<https://www.phoenixcontact.com/us/products/1406273>

## Classifications

### ECLASS

|             |          |
|-------------|----------|
| ECLASS-13.0 | 27060311 |
| ECLASS-15.0 | 27060311 |

### ETIM

|           |          |
|-----------|----------|
| ETIM 10.0 | EC001855 |
|-----------|----------|

### UNSPSC

|             |          |
|-------------|----------|
| UNSPSC 21.0 | 26121600 |
|-------------|----------|

# SAC-3P-M8MS/ 1,5-542/M8 FR BK - Sensor/actuator cable



1406273

<https://www.phoenixcontact.com/us/products/1406273>

## Environmental product compliance

### EU RoHS

|   |                    |
|---|--------------------|
| Fulfills EU RoHS substance requirements | Yes, No exemptions |
|---|--------------------|

### China RoHS

|  |  |
|--|--|
| Environment friendly use period (EFUP) | EFUP-E                                   |
|  | No hazardous substances above the limits |

### EU REACH SVHC

|                                     |                            |
|-------------------------------------|----------------------------|
| REACH candidate substance (CAS No.) | No substance above 0.1 wt% |
|-------------------------------------|----------------------------|

Phoenix Contact 2026 © - all rights reserved  
<https://www.phoenixcontact.com>

Phoenix Contact USA  
586 Fulling Mill Road  
Middletown, PA 17057, United States  
(+717) 944-1300  
[info@phoenixcon.com](mailto:info@phoenixcon.com)