

SAC-5P-M12MR/ 5,0-924 - Bus system cable



1405977

<https://www.phoenixcontact.com/us/products/1405977>

Please be informed that the data shown in this PDF document is generated from our online catalog. Please find the complete data in the user documentation. Our general terms of use for downloads are valid.



Bus system cable, CANopen®, DeviceNet™, 5-position, PVC, gray, shielded, Plug angled M12, coding: A, on free cable end, cable length: 5 m, Connector unshielded

Commercial data

Item number	1405977
Packing unit	1 pc
Minimum order quantity	1 pc
Note	Made to order (non-returnable)
Sales key	BF15
Product key	AF1IHE
GTIN	4046356800518
Weight per piece (including packing)	323.2 g
Weight per piece (excluding packing)	320.3 g
Customs tariff number	85444290
Country of origin	US

SAC-5P-M12MR/ 5,0-924 - Bus system cable



1405977

<https://www.phoenixcontact.com/us/products/1405977>

Technical data

Product properties

Product type	Data cable preassembled
Application	Standard, U.S. cables
Sensor type	CANopen®
Number of positions	5
No. of cable outlets	1
Shielded	yes
Coding	A

Insulation characteristics

Overvoltage category	II
Degree of pollution	3

Interfaces

Bus system	CANopen®/DeviceNet™
Signal type/category	CANopen® DeviceNet™

Signaling

Status display	no
Status display present	no

Electrical properties

Insulation resistance	≥ 100 MΩ
Nominal voltage U _N	48 V AC 60 V DC
Nominal current I _N	4 A
Transmission medium	Copper

Material specifications

Flammability rating according to UL 94	HB
Material of grip body	TPU, hardly inflammable, self-extinguishing
Contact material	CuSn
Contact surface material	Ni/Au
Contact carrier material	TPU GF
Material for screw connection	Zinc die-cast, nickel-plated

Connector

Connection 1

Type	Plug angled M12
Number of positions	5
Coding type	A (Standard)

SAC-5P-M12MR/ 5,0-924 - Bus system cable



1405977

<https://www.phoenixcontact.com/us/products/1405977>

Connection 2

Type	free cable end
------	----------------

Cable/line

Cable length	5 m
--------------	-----

CANopen®/DeviceNet™, PVC, gray [924]

Dimensional drawing	
Cable weight	64.51 kg/km
UL AWM Style	2464 (80°C/300 V)
Number of positions	4
Shielded	yes
Cable type	CANopen®/DeviceNet™, PVC, gray [924]
Conductor structure	2xAWG22 (Signal) + 2xAWG22 (Power)
Signal runtime	4.46 ns/m
Conductor structure signal line	19x 0.15 mm
AWG signal line	22
Conductor structure, voltage supply	19x 0.15 mm
AWG power supply	22
Conductor cross-section	2x 0.34 mm ² (Signal line) 2x 0.34 mm ² (Power supply)
Wire diameter incl. insulation	1.27 mm ±0.05 mm (Signal line) 2.24 mm ±0.13 mm (Power supply)
External cable diameter	6.90 mm ±0.13 mm
Outer sheath, material	PVC
External sheath, color	gray
Conductor material	Bare Cu litz wires
Material wire insulation	Foamed PE (Signal line) PVC (Power supply)
Single wire, color	red-black, blue-white
Twisted pairs	2 cores to the pair
Type of pair shielding	Plastic-coated aluminum foil, aluminum side inside
Overall twist	2 pairs around a drain wire in the center to the core
Insulation resistance	≥ 59.38 Ω*m (Signal line) ≥ 57.41 GΩ*km (Power supply)
Wave impedance	120 Ω ±12 Ω
Working capacitance	nom. 78.74 pF (per meter)

SAC-5P-M12MR/ 5,0-924 - Bus system cable



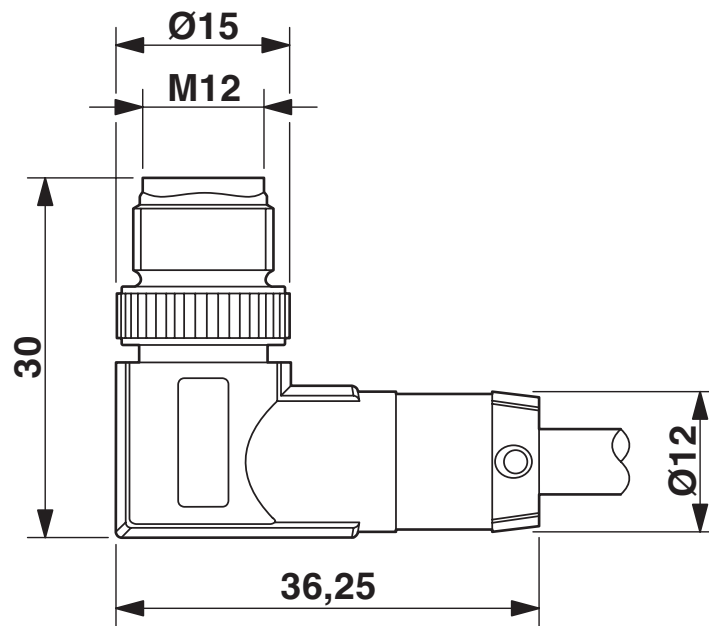
1405977

<https://www.phoenixcontact.com/us/products/1405977>

Minimum bending radius, flexible installation	15 x D
Smallest bending radius, movable installation	104 mm
Shield attenuation	0.95 dB (f = 125 kHz)
	1.64 dB (f = 500 kHz)
	2.30 dB (f = 1 MHz)
Flame resistance	FT4
Resistance to oil	yes
Other resistance	UV resistant
Special properties	UL standards PLTC and ITC
Ambient temperature (operation)	-30 °C ... 75 °C (cable, fixed installation)

Drawings

Dimensional drawing



M12 x 1 male plug, angled

Schematic diagram



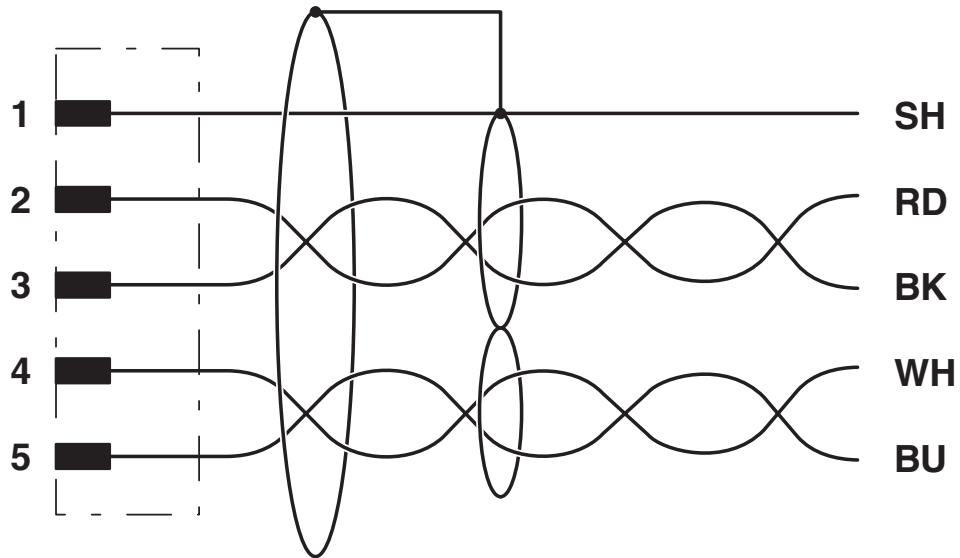
Pin assignment M12 male connector, 5-pos., A-coded, male side

SAC-5P-M12MR/ 5,0-924 - Bus system cable

1405977

<https://www.phoenixcontact.com/us/products/1405977>

Circuit diagram



Contact assignment of the M12 plug

SAC-5P-M12MR/ 5,0-924 - Bus system cable



1405977

<https://www.phoenixcontact.com/us/products/1405977>

Approvals

To download certificates, visit the product detail page: <https://www.phoenixcontact.com/us/products/1405977>

 UL Listed Approval ID: FILE E 221474				
	Nominal voltage U_N	Nominal current I_N	Cross section AWG	Cross section mm^2
keine				
	125 V	4 A	-	-

 cUL Listed Approval ID: FILE E 221474				
	Nominal voltage U_N	Nominal current I_N	Cross section AWG	Cross section mm^2
keine				
	125 V	4 A	-	-

SAC-5P-M12MR/ 5,0-924 - Bus system cable



1405977

<https://www.phoenixcontact.com/us/products/1405977>

Classifications

ECLASS

ECLASS-13.0	27060307
ECLASS-15.0	27060307

ETIM

ETIM 10.0	EC001855
-----------	----------

UNSPSC

UNSPSC 21.0	26121600
-------------	----------

SAC-5P-M12MR/ 5,0-924 - Bus system cable



1405977

<https://www.phoenixcontact.com/us/products/1405977>

Environmental product compliance

EU RoHS

Fulfills EU RoHS substance requirements	Yes, No exemptions
---	--------------------

China RoHS

Environment friendly use period (EFUP)	EFUP-E
	No hazardous substances above the limits

EU REACH SVHC

REACH candidate substance (CAS No.)	Diazene-1,2-dicarboxamide (C,C'-azodi(formamide)) (ADCA)(CAS: 123-77-3)
SCIP	064dd6ed-5989-4b3c-9848-025963af6ee0

EF3.1 Climate Change

CO2e kg	4.671 kg CO2e
---------	---------------

Phoenix Contact 2026 © - all rights reserved
<https://www.phoenixcontact.com>

Phoenix Contact USA
586 Fulling Mill Road
Middletown, PA 17057, United States
(+717) 944-1300
info@phoenixcon.com