

# SAC-5P-M12MR/ 1,5-924/M12FR - Bus system cable



1405974

<https://www.phoenixcontact.com/us/products/1405974>

Please be informed that the data shown in this PDF document is generated from our online catalog. Please find the complete data in the user documentation. Our general terms of use for downloads are valid.



Bus system cable, CANopen®, DeviceNet™, 5-position, PVC, gray, shielded, Plug angled M12, coding: A, on Socket angled M12, coding: A, cable length: 1.5 m, Connector unshielded

## Commercial data

Item number	1405974
Packing unit	1 pc
Minimum order quantity	1 pc
Note	Made to order (non-returnable)
Sales key	BF15
Product key	AF1IHE
GTIN	4046356800549
Weight per piece (including packing)	114.6 g
Weight per piece (excluding packing)	22.22 g
Customs tariff number	85444290
Country of origin	US

1405974

<https://www.phoenixcontact.com/us/products/1405974>

## Technical data

### Product properties

Product type	Data cable preassembled
Application	Standard, U.S. cables
Sensor type	CANopen®
Number of positions	5
No. of cable outlets	1
Shielded	yes
Coding	A

### Insulation characteristics

Overvoltage category	II
Degree of pollution	3

### Interfaces

Bus system	CANopen®/DeviceNet™
Signal type/category	CANopen® DeviceNet™

### Signaling

Status display	no
Status display present	no

### Electrical properties

Insulation resistance	≥ 100 MΩ
Nominal voltage $U_N$	48 V AC
	60 V DC
Nominal current $I_N$	4 A
Transmission medium	Copper

### Material specifications

Flammability rating according to UL 94	HB
Seal material	NBR
Material of grip body	TPU, hardly inflammable, self-extinguishing
Contact material	CuSn
Contact surface material	Ni/Au
Contact carrier material	TPU GF
Material for screw connection	Zinc die-cast, nickel-plated

### Connector

#### Connection 1

Type	Plug angled M12
Number of positions	5

# SAC-5P-M12MR/ 1,5-924/M12FR - Bus system cable



1405974

<https://www.phoenixcontact.com/us/products/1405974>

Coding type	A (Standard)
-------------	--------------

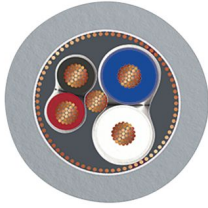
## Connection 2

Type	Socket angled M12
Number of positions	5
Coding type	A (Standard)

## Cable/line

Cable length	1.5 m
--------------	-------

## CANopen®/DeviceNet™, PVC, gray [924]

Dimensional drawing	
Cable weight	64.51 kg/km
UL AWM Style	2464 (80°C/300 V)
Number of positions	4
Shielded	yes
Cable type	CANopen®/DeviceNet™, PVC, gray [924]
Conductor structure	2xAWG22 (Signal) + 2xAWG22 (Power)
Signal runtime	4.46 ns/m
Conductor structure signal line	19x 0.15 mm
AWG signal line	22
Conductor structure, voltage supply	19x 0.15 mm
AWG power supply	22
Conductor cross-section	2x 0.34 mm <sup>2</sup> (Signal line) 2x 0.34 mm <sup>2</sup> (Power supply)
Wire diameter incl. insulation	1.27 mm ±0.05 mm (Signal line) 2.24 mm ±0.13 mm (Power supply)
External cable diameter	6.90 mm ±0.13 mm
Outer sheath, material	PVC
External sheath, color	gray
Conductor material	Bare Cu litz wires
Material wire insulation	Foamed PE (Signal line) PVC (Power supply)
Single wire, color	red-black, blue-white
Twisted pairs	2 cores to the pair
Type of pair shielding	Plastic-coated aluminum foil, aluminum side inside
Overall twist	2 pairs around a drain wire in the center to the core
Insulation resistance	≥ 59.38 Ω*m (Signal line)

# SAC-5P-M12MR/ 1,5-924/M12FR - Bus system cable



1405974

<https://www.phoenixcontact.com/us/products/1405974>

	$\geq 57.41 \text{ G}\Omega \cdot \text{km}$ (Power supply)
Wave impedance	$120 \Omega \pm 12 \Omega$
Working capacitance	nom. $78.74 \text{ pF}$ (per meter)
Minimum bending radius, flexible installation	$15 \times D$
Smallest bending radius, movable installation	104 mm
Shield attenuation	0.95 dB (f = 125 kHz)
	1.64 dB (f = 500 kHz)
	2.30 dB (f = 1 MHz)
Flame resistance	FT4
Resistance to oil	yes
Other resistance	UV resistant
Special properties	UL standards PLTC and ITC
Ambient temperature (operation)	$-30 \text{ }^\circ\text{C} \dots 75 \text{ }^\circ\text{C}$ (cable, fixed installation)

1405974

<https://www.phoenixcontact.com/us/products/1405974>

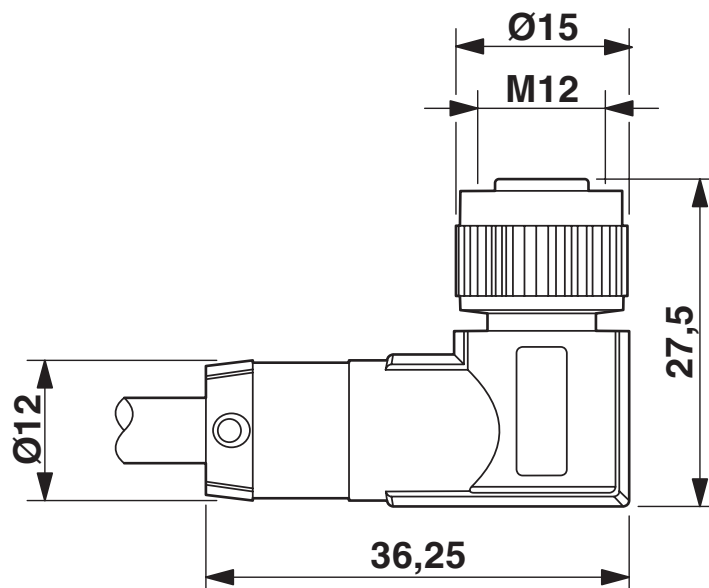
## Drawings

Dimensional drawing



M12 x 1 male plug, angled

Dimensional drawing



M12 x 1 socket, angled

1405974

<https://www.phoenixcontact.com/us/products/1405974>

Schematic diagram



Pin assignment M12 male connector, 5-pos., A-coded, male side

Schematic diagram



Pin assignment M12 socket, 5-pos., A-coded, socket side view

1405974

<https://www.phoenixcontact.com/us/products/1405974>

Circuit diagram



Contact assignment of the M12 plug and the M12 socket

# SAC-5P-M12MR/ 1,5-924/M12FR - Bus system cable



1405974

<https://www.phoenixcontact.com/us/products/1405974>

## Approvals

To download certificates, visit the product detail page: <https://www.phoenixcontact.com/us/products/1405974>

 <b>UL Listed</b> Approval ID: FILE E 221474				
	Nominal voltage $U_N$	Nominal current $I_N$	Cross section AWG	Cross section $\text{mm}^2$
keine				
	125 V	4 A	-	-

 <b>cUL Listed</b> Approval ID: FILE E 221474				
	Nominal voltage $U_N$	Nominal current $I_N$	Cross section AWG	Cross section $\text{mm}^2$
keine				
	125 V	4 A	-	-

# SAC-5P-M12MR/ 1,5-924/M12FR - Bus system cable



1405974

<https://www.phoenixcontact.com/us/products/1405974>

## Classifications

### ECLASS

ECLASS-13.0	27060307
ECLASS-15.0	27060307

### UNSPSC

UNSPSC 21.0	26121600
-------------	----------

# SAC-5P-M12MR/ 1,5-924/M12FR - Bus system cable



1405974

<https://www.phoenixcontact.com/us/products/1405974>

## Environmental product compliance

### EU RoHS

Fulfills EU RoHS substance requirements	Yes, No exemptions
---	--------------------

### China RoHS

Environment friendly use period (EFUP)	EFUP-E
	No hazardous substances above the limits

### EU REACH SVHC

REACH candidate substance (CAS No.)	Diazene-1,2-dicarboxamide (C,C'-azodi(formamide)) (ADCA)(CAS: 123-77-3)
SCIP	4a1e452e-77b3-4bd9-b8ff-2125e52dfd23

### EF3.1 Climate Change

CO2e kg	1.503 kg CO2e
---------	---------------

Phoenix Contact 2026 © - all rights reserved  
<https://www.phoenixcontact.com>

Phoenix Contact USA  
586 Fulling Mill Road  
Middletown, PA 17057, United States  
(+717) 944-1300  
[info@phoenixcon.com](mailto:info@phoenixcon.com)