

# SAC-MSD/ 8,0-93G/R4AQ - Bus system cable



1405670

<https://www.phoenixcontact.com/us/products/1405670>

Please be informed that the data shown in this PDF document is generated from our online catalog. Please find the complete data in the user documentation. Our general terms of use for downloads are valid.



Assembled EtherCAT® cable, shielded, star quad, 22 AWG stranded (7-wire), RAL 6018 (yellow-green), M12 plug, SPEEDCON, 4-pos. to RJ45 plug/IP20, length: 8 m

## Commercial data

Item number	1405670
Packing unit	1 pc
Minimum order quantity	50 pc
Product key	AF1CJP
GTIN	4046356752954
Weight per piece (including packing)	565 g
Weight per piece (excluding packing)	565 g
Country of origin	PL

# SAC-MSD/ 8,0-93G/R4AQ - Bus system cable



1405670

<https://www.phoenixcontact.com/us/products/1405670>

## Technical data

### Product properties

Product type	Data cable preassembled
Number of positions	4
No. of cable outlets	1
Shielded	yes

### Insulation characteristics

Degree of pollution	3
---------------------	---

### Electrical properties

Nominal voltage $U_N$	48 V AC
	60 V DC
Transmission medium	Copper

### Mechanical properties

#### Mechanical data

Insertion/withdrawal cycles	$\geq 100$
-----------------------------	------------

### Material specifications

Flammability rating according to UL 94	V0
--	----

### Connector

#### Connection 1

Type	Plug straight M12 SPEEDCON
Locking type	SPEEDCON
Material	CuSn (Contact)
	Ni/Au (Contact surface)
	PA (Contact carrier)
	TPU, hardly inflammable, self-extinguishing (Grip body)
	Zinc die-cast, nickel-plated (Screw connection)

#### Connection 2

Type	Plug straight RJ45
Material	CuSn (Contact)
	Ni/Au (Contact surface)
	PC (Contact carrier)
	PA (Housing)

### Cable/line

Cable length	8 m
--------------	-----

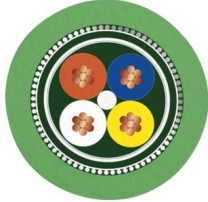
PROFINET PVC stranded CAT5 [93B]

# SAC-MSD/ 8,0-93G/R4AQ - Bus system cable



1405670

<https://www.phoenixcontact.com/us/products/1405670>

Dimensional drawing	
Cable weight	67 kg/km
UL AWM Style	21694
Number of positions	4
Shielded	yes
Cable type	PROFINET PVC stranded CAT5 [93B]
Conductor structure	1x4xAWG22/7, SF/TQ
Signal runtime	5.3 ns/m
Signal speed	0.66 c
Conductor structure signal line	7x 0.25 mm
AWG signal line	22
Conductor cross-section	4x 0.34 mm <sup>2</sup>
Wire diameter incl. insulation	1.55 mm
External cable diameter	6.50 mm ±0.2 mm
Outer sheath, material	PVC
External sheath, color	green RAL 6018
Conductor material	Tin-plated Cu litz wires
Material wire insulation	PE
Single wire, color	white, yellow, blue, orange
Thickness, outer sheath	approx. 0.90 mm
Overall twist	Star quad
Optical shield covering	85 %
Insulation resistance	≥ 500 MΩ*km
Coupling resistance	≤ 20.00 mΩ/m (at 10 MHz)
Loop resistance	≤ 120.00 Ω/km
Wave impedance	100 Ω ±15 Ω (at 100 MHz)
Nominal voltage, cable	600 V
Test voltage Core/Core	2000 V (50 Hz, 1 min.)
Test voltage Core/Shield	2000.00 V (50 Hz, 1 min.)
Minimum bending radius, fixed installation	3 x D
Minimum bending radius, flexible installation	7 x D
Smallest bending radius, fixed installation	20 mm
Smallest bending radius, movable installation	46 mm
Near end crosstalk attenuation (NEXT)	80 dB (with 1 MHz)
	76 dB (at 4 MHz)
	70 dB (at 10 MHz)
	65 dB (at 16 MHz)

# SAC-MSD/ 8,0-93G/R4AQ - Bus system cable



1405670

<https://www.phoenixcontact.com/us/products/1405670>

	63 dB (at 20 MHz)
	60 dB (at 31.25 MHz)
	55 dB (at 62.5 MHz)
	50 dB (at 100 MHz)
Shield attenuation	2.1 dB (with 1 MHz)
	4 dB (at 4 MHz)
	6.3 dB (at 10 MHz)
	8 dB (at 16 MHz)
	9 dB (at 20 MHz)
	11.4 dB (at 31.25 MHz)
	16.5 dB (at 62.5 MHz)
	21.3 dB (at 100 MHz)
Flame resistance	according to UL 1685 (CSA FT 4)
Resistance to oil	Resistant to oil to a limited extent
Other resistance	UV resistant (according to UL 1581, Section 1200)
Ambient temperature (operation)	-40 °C ... 70 °C (cable, fixed installation)
	-40 °C ... 70 °C (Cable, flexible installation)
Ambient temperature (installation)	-20 °C ... 60 °C

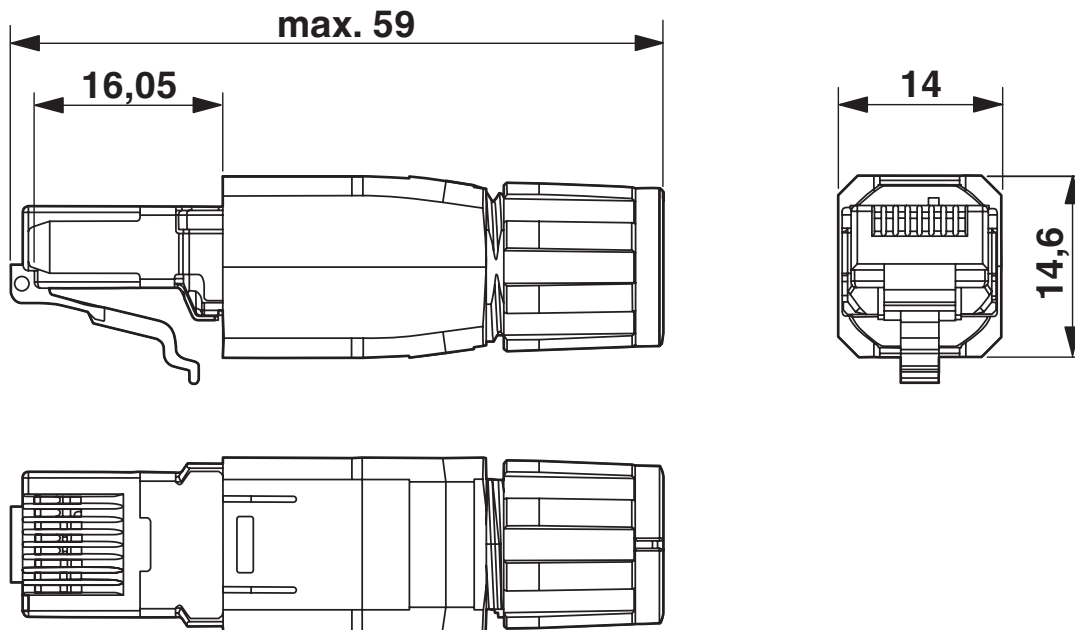
# SAC-MSD/ 8,0-93G/R4AQ - Bus system cable

1405670

<https://www.phoenixcontact.com/us/products/1405670>

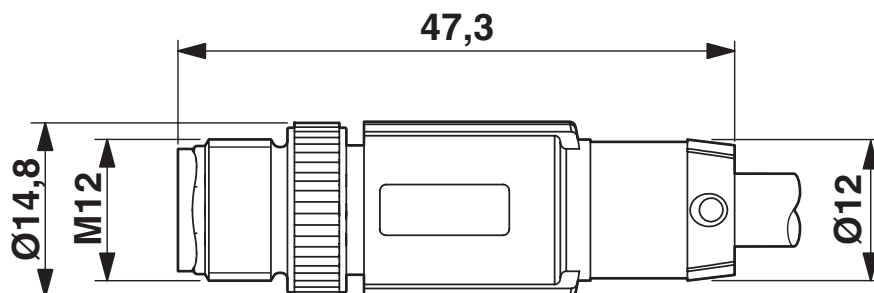
## Drawings

Dimensional drawing



RJ45 connector, IP20

Dimensional drawing



Plug, M12 x 1, straight, shielded

# SAC-MSD/ 8,0-93G/R4AQ - Bus system cable



1405670

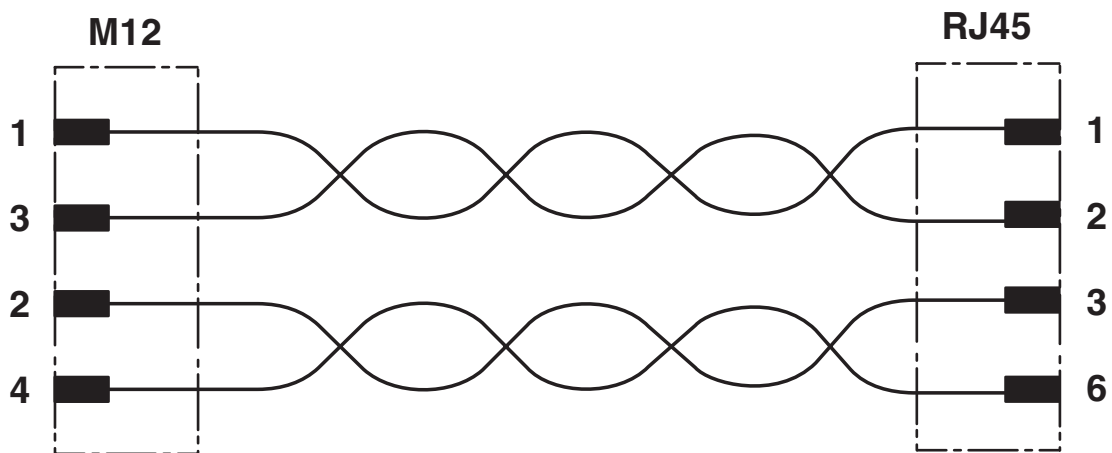
<https://www.phoenixcontact.com/us/products/1405670>

Schematic diagram



Pin assignment M12 male connector, 4-pos., D-coded, male side

Circuit diagram



# SAC-MSD/ 8,0-93G/R4AQ - Bus system cable



1405670

<https://www.phoenixcontact.com/us/products/1405670>

## Classifications

### ECLASS

ECLASS-13.0	27060307
ECLASS-15.0	27060307

Phoenix Contact 2026 © - all rights reserved

<https://www.phoenixcontact.com>

Phoenix Contact USA  
586 Fulling Mill Road  
Middletown, PA 17057, United States  
(+717) 944-1300  
[info@phoenixcon.com](mailto:info@phoenixcon.com)