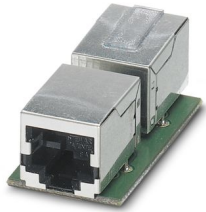


VS-08-BU/BU-RJ45-F - RJ45 coupling

1405617

<https://www.phoenixcontact.com/us/products/1405617>

Please be informed that the data shown in this PDF document is generated from our online catalog. Please find the complete data in the user documentation. Our general terms of use for downloads are valid.



Freenet insert

RJ45 coupling, degree of protection: IP20, number of positions: 8, 1 Gbps, CAT5 (IEC 11801:2002), material: PA-GF, for VS-08 and push-pull panel mounting frames

Commercial data

| | |
|--------------------------------------|--------------------------------|
| Item number | 1405617 |
| Packing unit | 1 pc |
| Note | Made to order (non-returnable) |
| Sales key | NULL |
| Product key | ABNMAY |
| GTIN | 4046356460057 |
| Weight per piece (including packing) | 23.2 g |
| Weight per piece (excluding packing) | 22.3 g |
| Customs tariff number | 85366990 |
| Country of origin | DE |

VS-08-BU/BU-RJ45-F - RJ45 coupling



1405617

<https://www.phoenixcontact.com/us/products/1405617>

Technical data

Product properties

| | |
|---------------------|----------------|
| Product type | Female insert |
| Application | Freenet system |
| Number of positions | 8 |
| Number of slots | 2 |

Electrical properties

| | |
|----------------------|---------|
| Rated voltage (II/2) | 72 V DC |
| Rated current | 1.5 A |
| Frequency range | 100 MHz |
| Transmission speed | 1 Gbps |

Material specifications

| | |
|--------------------------|-----------------|
| Housing material | PA-GF |
| Housing surface material | tin-plated |
| Contact material | Phosphor bronze |
| Contact surface material | Gold |

Mechanical properties

Mechanical data

| | |
|-----------------------------|--------|
| Insertion/withdrawal cycles | >= 100 |
|-----------------------------|--------|

Environmental and real-life conditions

Ambient conditions

| | |
|----------------------|------|
| Degree of protection | IP20 |
|----------------------|------|

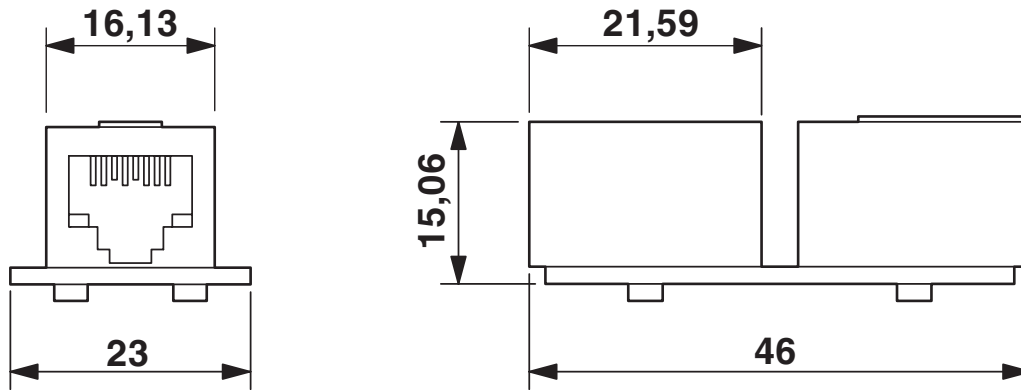
VS-08-BU/BU-RJ45-F - RJ45 coupling

1405617

<https://www.phoenixcontact.com/us/products/1405617>

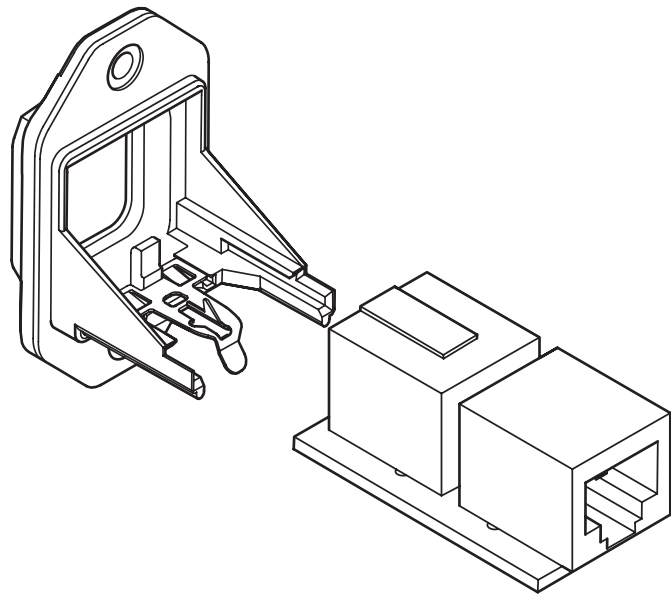
Drawings

Dimensional drawing



RJ45 socket insert, Freenet system

Schematic diagram



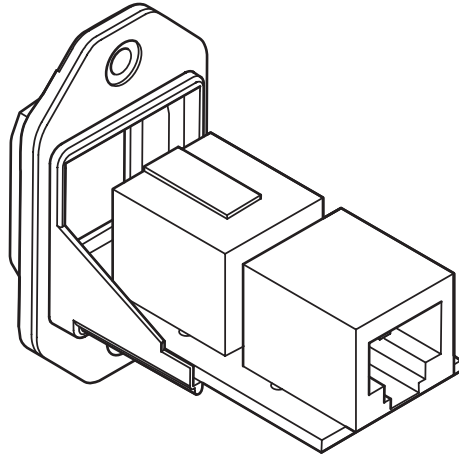
VS-08-BU/BU-RJ45-F - RJ45 coupling

1405617

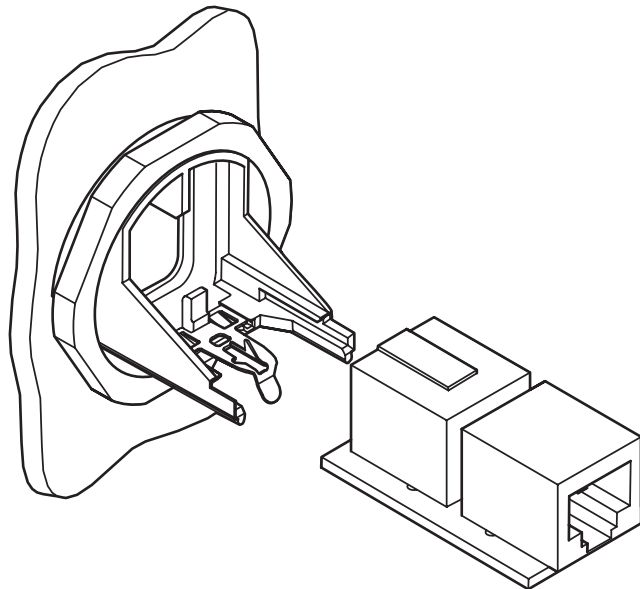
<https://www.phoenixcontact.com/us/products/1405617>



Schematic diagram



Schematic diagram



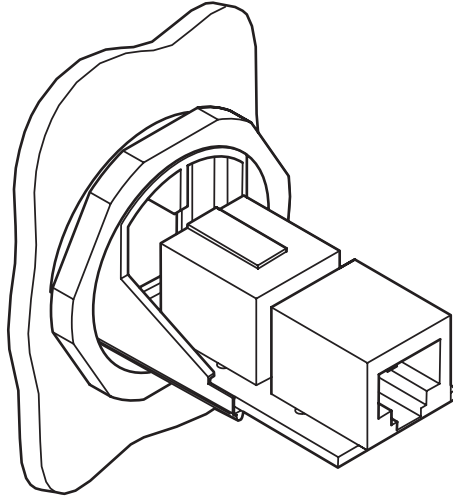
VS-08-BU/BU-RJ45-F - RJ45 coupling

1405617

<https://www.phoenixcontact.com/us/products/1405617>



Schematic diagram



VS-08-BU/BU-RJ45-F - RJ45 coupling



1405617

<https://www.phoenixcontact.com/us/products/1405617>

Environmental product compliance

China RoHS

| | |
|--|---|
| Environment friendly use period (EFUP) | EFUP-50 |
| | An article-related China RoHS declaration table can be found in the download area for the respective article under "Manufacturer declaration". For all articles with EFUP-E, no China RoHS declaration table issued and required. |

EU REACH SVHC

| | |
|-------------------------------------|----------------------------|
| REACH candidate substance (CAS No.) | No substance above 0.1 wt% |
|-------------------------------------|----------------------------|

Phoenix Contact 2026 © - all rights reserved
<https://www.phoenixcontact.com>

Phoenix Contact USA
586 Fulling Mill Road
Middletown, PA 17057, United States
(+717) 944-1300
info@phoenixcon.com