

VS-PPC-F1-RJ45-MNNA-1R-FJJ - Panel-mount frame



1405361

<https://www.phoenixcontact.com/us/products/1405361>

Please be informed that the data shown in this PDF document is generated from our online catalog. Please find the complete data in the user documentation. Our general terms of use for downloads are valid.



RJ45 panel mounting frame, IP67, for push-pull interlocking, metal, with the Freenet system, for rectangular mounting cutout, with seal, without mounting screws: incl. socket/socket insert

Commercial data

Item number	1405361
Packing unit	1 pc
Minimum order quantity	1 pc
Sales key	AB12
Product key	ABNODB
GTIN	4046356419932
Weight per piece (including packing)	44.3 g
Weight per piece (excluding packing)	44.3 g
Customs tariff number	85366990
Country of origin	DE

1405361

<https://www.phoenixcontact.com/us/products/1405361>

Technical data

Product properties

Product type	Panel-mount frame
Application	Freenet
Type	Version 14
Number of positions	8
Connection profile	RJ45
Number of slots	2

Electrical properties

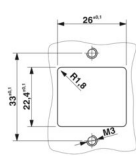
Rated voltage (III/3)	72 V (DC)
Transmission medium	Copper

Connection data

Connection technology

Connection method	Push-Pull
-------------------	-----------

Dimensions

Dimensional drawing	
Width	29.5 mm
Height	42 mm
Length	62.9 mm

Material specifications

Color	silver
Material	Metal
Flammability rating according to UL 94	V0
Housing material	Metal
Housing surface material	nickel-plated
Contact surface material	Au/Ni

Environmental and real-life conditions

Ambient conditions

Degree of protection	IP65/IP67
----------------------	-----------

Mounting

Mounting type	Panel mounting
---------------	----------------

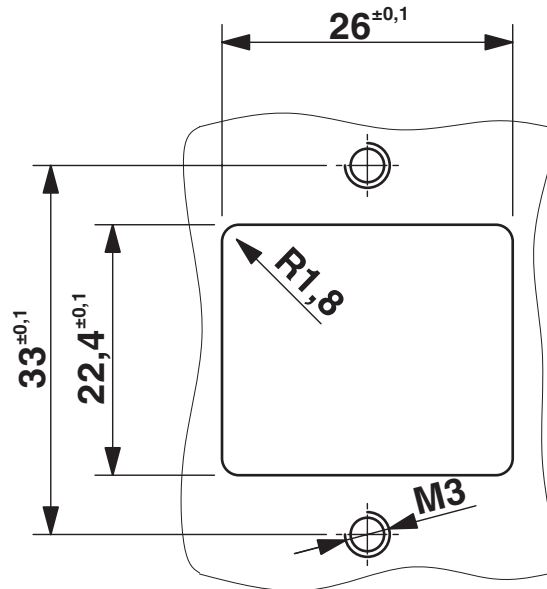
VS-PPC-F1-RJ45-MNNA-1R-FJJ - Panel-mount frame

1405361

<https://www.phoenixcontact.com/us/products/1405361>

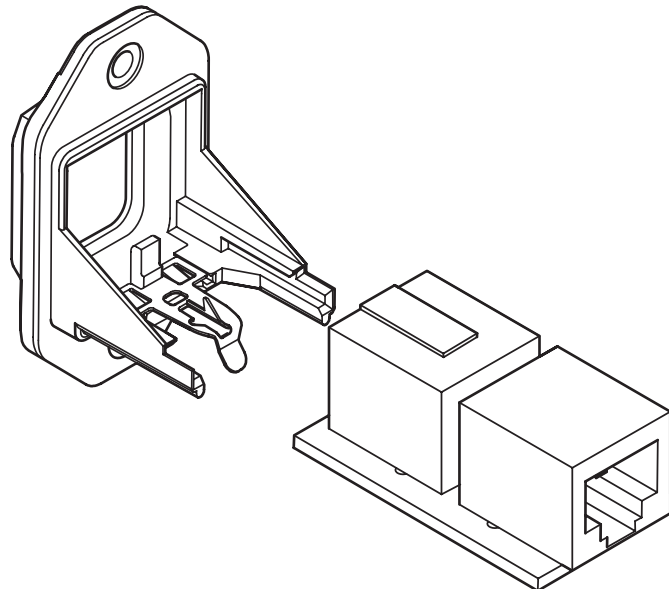
Drawings

Dimensional drawing



Mounting cutout

Schematic diagram

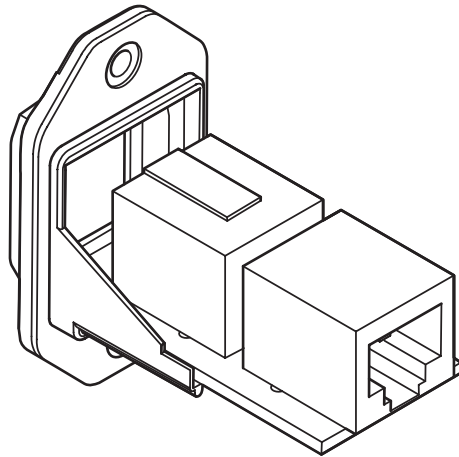


VS-PPC-F1-RJ45-MNNA-1R-FJJ - Panel-mount frame

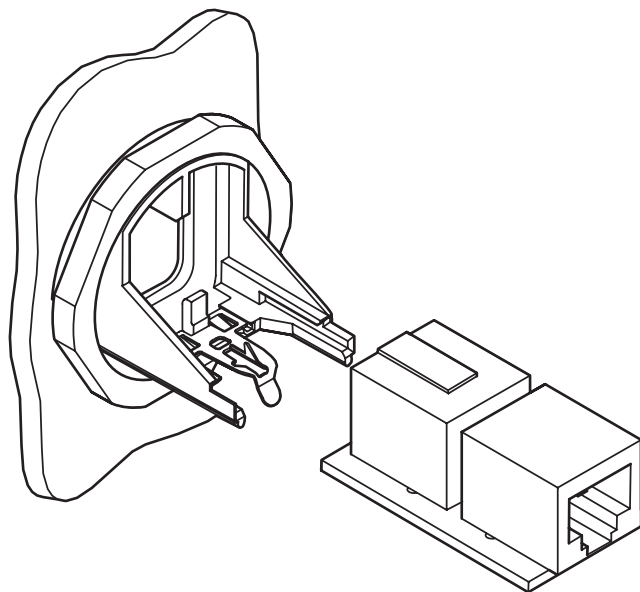
1405361

<https://www.phoenixcontact.com/us/products/1405361>

Schematic diagram



Schematic diagram



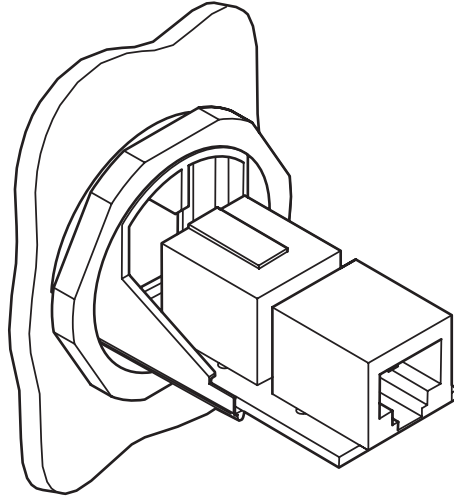
VS-PPC-F1-RJ45-MNNA-1R-FJJ - Panel-mount frame



1405361

<https://www.phoenixcontact.com/us/products/1405361>

Schematic diagram



1405361

<https://www.phoenixcontact.com/us/products/1405361>

Classifications

ECLASS

ECLASS-13.0	27440210
ECLASS-15.0	27440210

ETIM

ETIM 10.0	EC002310
-----------	----------

UNSPSC

UNSPSC 21.0	39121400
-------------	----------

1405361

<https://www.phoenixcontact.com/us/products/1405361>

Environmental product compliance

EU RoHS

Fulfills EU RoHS substance requirements	Yes, No exemptions
---	--------------------

China RoHS

Environment friendly use period (EFUP)	EFUP-E
	No hazardous substances above the limits

EU REACH SVHC

REACH candidate substance (CAS No.)	No substance above 0.1 wt%
-------------------------------------	----------------------------

EF3.1 Climate Change

CO2e kg	1.411 kg CO2e
---------	---------------

Phoenix Contact 2026 © - all rights reserved
<https://www.phoenixcontact.com>

Phoenix Contact USA
586 Fulling Mill Road
Middletown, PA 17057, United States
(+717) 944-1300
info@phoenixcon.com