

# VS-PPC-F1-RJ45-MNNA-1R-F - Panel-mount frame



1405358

<https://www.phoenixcontact.com/us/products/1405358>

Please be informed that the data shown in this PDF document is generated from our online catalog. Please find the complete data in the user documentation. Our general terms of use for downloads are valid.



RJ45 panel mounting frame, IP67, for push-pull interlocking, metal, with the Freenet system, for square panel cutout, with grommet, without mounting screws

## Commercial data

Item number	1405358
Packing unit	1 pc
Minimum order quantity	1 pc
Sales key	AB17
Product key	ABNODA
GTIN	4046356419949
Weight per piece (including packing)	28 g
Weight per piece (excluding packing)	27 g
Customs tariff number	85389099
Country of origin	DE

# VS-PPC-F1-RJ45-MNNA-1R-F - Panel-mount frame



1405358

<https://www.phoenixcontact.com/us/products/1405358>

## Technical data

### Product properties

Product type	Panel-mount frame
Application	Freenet
Type	RJ45
Number of positions	8
Connection profile	RJ45

### Electrical properties

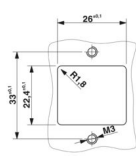
Transmission medium	Copper
---------------------	--------

### Connection data

#### Connection technology

Connection method	Push-Pull
-------------------	-----------

### Dimensions

Dimensional drawing	
Width	29.5 mm
Height	42 mm
Length	37 mm
Drill hole distance, vertical	33 mm
Hole diameter	3.2 mm

### Material specifications

Color	silver
Material	Metal
Flammability rating according to UL 94	V0
Seal material, flat gasket	NBR
Housing material	Metal
Housing surface material	nickel-plated

### Environmental and real-life conditions

#### Ambient conditions

Degree of protection	IP65/IP67
Ambient temperature (operation)	-40 °C ... 70 °C

### Mounting

Mounting type	Panel mounting
---------------	----------------

# VS-PPC-F1-RJ45-MNNA-1R-F - Panel-mount frame

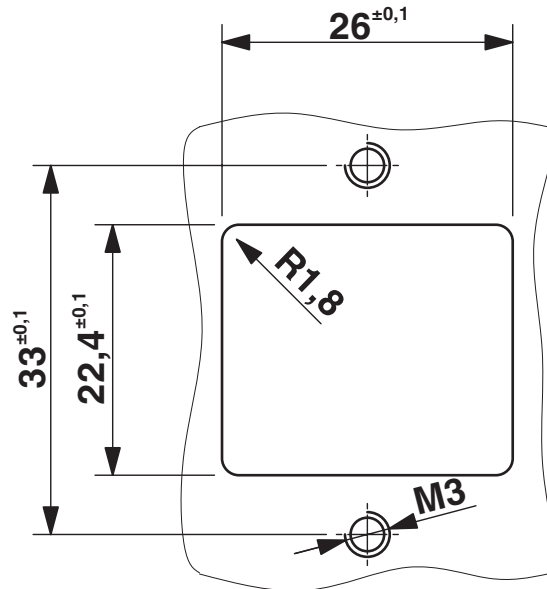


1405358

<https://www.phoenixcontact.com/us/products/1405358>

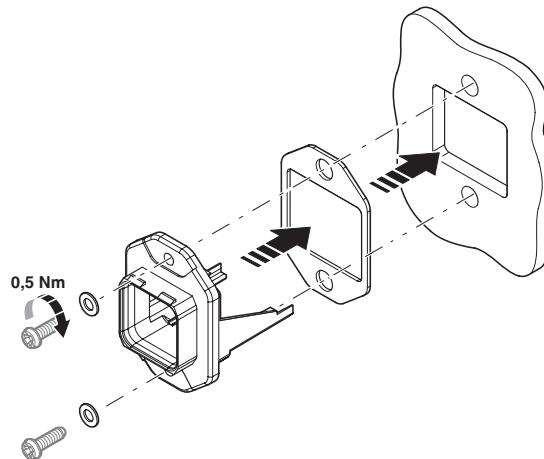
## Drawings

Dimensional drawing



## Mounting cutout

Exploded view



# VS-PPC-F1-RJ45-MNNA-1R-F - Panel-mount frame



1405358

<https://www.phoenixcontact.com/us/products/1405358>

## Classifications

### ECLASS

ECLASS-13.0	27440210
ECLASS-15.0	27440210

### ETIM

ETIM 10.0	EC002310
-----------	----------

### UNSPSC

UNSPSC 21.0	39121400
-------------	----------

# VS-PPC-F1-RJ45-MNNA-1R-F - Panel-mount frame



1405358

<https://www.phoenixcontact.com/us/products/1405358>

## Environmental product compliance

### EU RoHS

Fulfills EU RoHS substance requirements	Yes, No exemptions
---	--------------------

### China RoHS

Environment friendly use period (EFUP)	EFUP-E
	No hazardous substances above the limits

### EU REACH SVHC

REACH candidate substance (CAS No.)	No substance above 0.1 wt%
-------------------------------------	----------------------------

### EF3.1 Climate Change

CO2e kg	0.527 kg CO2e
---------	---------------

Phoenix Contact 2026 © - all rights reserved  
<https://www.phoenixcontact.com>

Phoenix Contact USA  
586 Fulling Mill Road  
Middletown, PA 17057, United States  
(+717) 944-1300  
[info@phoenixcon.com](mailto:info@phoenixcon.com)