

VS-PPC-C2-PC-ROBK-L - Protective cover



1405303

<https://www.phoenixcontact.com/us/products/1405303>

Please be informed that the data shown in this PDF document is generated from our online catalog. Please find the complete data in the user documentation. Our general terms of use for downloads are valid.

Sealing plug with locking for push-pull panel mounting frame, power (VS-PPC-F2...), IP65/67 degree of protection



Snap-on cap

Your advantages

- Compatible with IP67 panel-mount frame
- Safe operation with the right degree of protection
- Robust industrial design

Commercial data

Item number	1405303
Packing unit	1 pc
Minimum order quantity	1 pc
Sales key	NULL
Product key	ABNOJZ
GTIN	4046356420419
Weight per piece (including packing)	10 g
Weight per piece (excluding packing)	10.018 g
Customs tariff number	39269097
Country of origin	DE

VS-PPC-C2-PC-ROBK-L - Protective cover

1405303

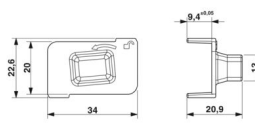
<https://www.phoenixcontact.com/us/products/1405303>

Technical data

Product properties

Product type	Protective cover
Type	Version 14

Dimensions

Dimensional drawing	
Width	22 mm
Depth	21 mm
Length	34 mm

Material specifications

Color	black
Material	Plastic
Flammability rating according to UL 94	V0
Seal material	NBR

Environmental and real-life conditions

Ambient conditions

Degree of protection	IP65/IP67
Ambient temperature (operation)	-40 °C ... 85 °C
Ambient temperature (storage/transport)	-40 °C ... 85 °C
Ambient temperature (assembly)	-5 °C ... 55 °C

VS-PPC-C2-PC-ROBK-L - Protective cover

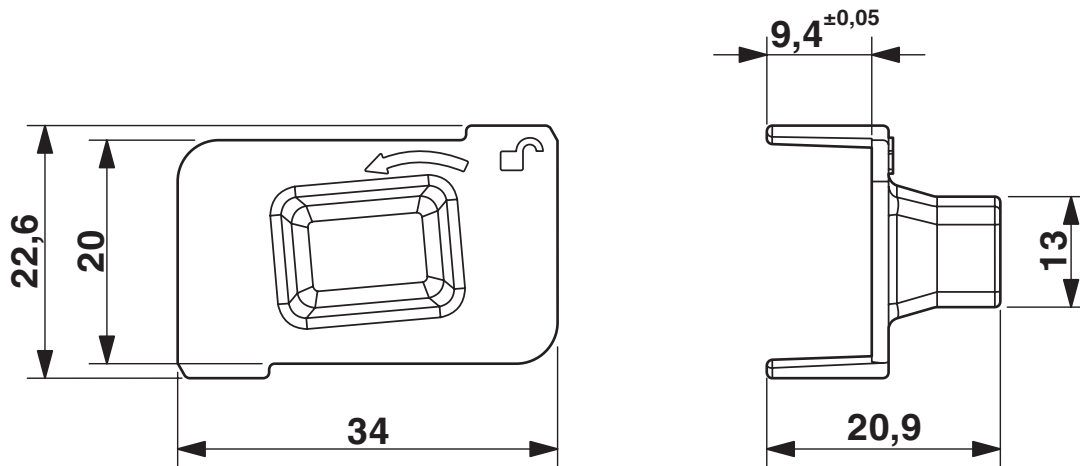


1405303

<https://www.phoenixcontact.com/us/products/1405303>

Drawings

Dimensional drawing



Sealing plug with locking for push-pull panel mounting frame

VS-PPC-C2-PC-ROBK-L - Protective cover



1405303

<https://www.phoenixcontact.com/us/products/1405303>

Classifications

ECLASS

ECLASS-13.0	27440208
ECLASS-15.0	27440208

ETIM

ETIM 10.0	EC002314
-----------	----------

UNSPSC

UNSPSC 21.0	39121400
-------------	----------

VS-PPC-C2-PC-ROBK-L - Protective cover



1405303

<https://www.phoenixcontact.com/us/products/1405303>

Environmental product compliance

EU RoHS

Fulfills EU RoHS substance requirements	Yes, No exemptions
---	--------------------

China RoHS

Environment friendly use period (EFUP)	EFUP-E
	No hazardous substances above the limits

EU REACH SVHC

REACH candidate substance (CAS No.)	No substance above 0.1 wt%
-------------------------------------	----------------------------

EF3.1 Climate Change

CO2e kg	0.048 kg CO2e
---------	---------------

Phoenix Contact 2026 © - all rights reserved
<https://www.phoenixcontact.com>

Phoenix Contact USA
586 Fulling Mill Road
Middletown, PA 17057, United States
(+717) 944-1300
info@phoenixcon.com