

VS-M12FSBPS-M12MSS-94B/10,0 - Network cable



1405267

<https://www.phoenixcontact.com/us/products/1405267>

Please be informed that the data shown in this PDF document is generated from our online catalog. Please find the complete data in the user documentation. Our general terms of use for downloads are valid.



Assembled Ethernet cable, shielded, 4-pair, 26 AWG stranded (7-wire), RAL 5021 (water blue), M12 flush-type plug to M12 flush-type socket, rear/screw mounting with M16 thread, line, length: 10 m

Commercial data

Item number	1405267
Packing unit	1 pc
Minimum order quantity	1 pc
Note	Made to order (non-returnable)
Sales key	AB17
Product key	ABNMAY
GTIN	4046356738903
Weight per piece (including packing)	497 g
Weight per piece (excluding packing)	483 g
Customs tariff number	85444290
Country of origin	DE

VS-M12FSBPS-M12MSS-94B/10,0 - Network cable



1405267

<https://www.phoenixcontact.com/us/products/1405267>

Technical data

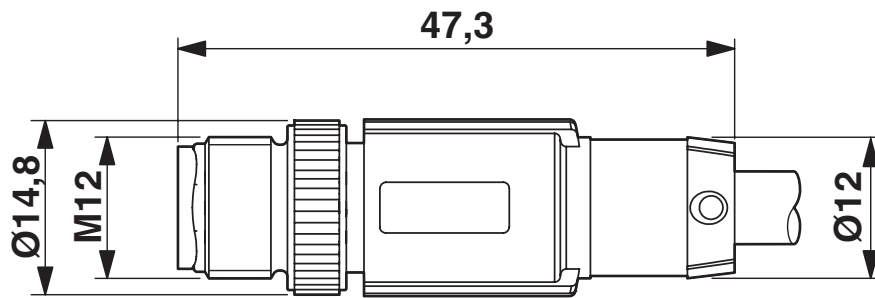
Environmental and real-life conditions

Ambient conditions

Degree of protection	IP67 (When plugged in)
	IP65 (When plugged in)
	IP65/IP67

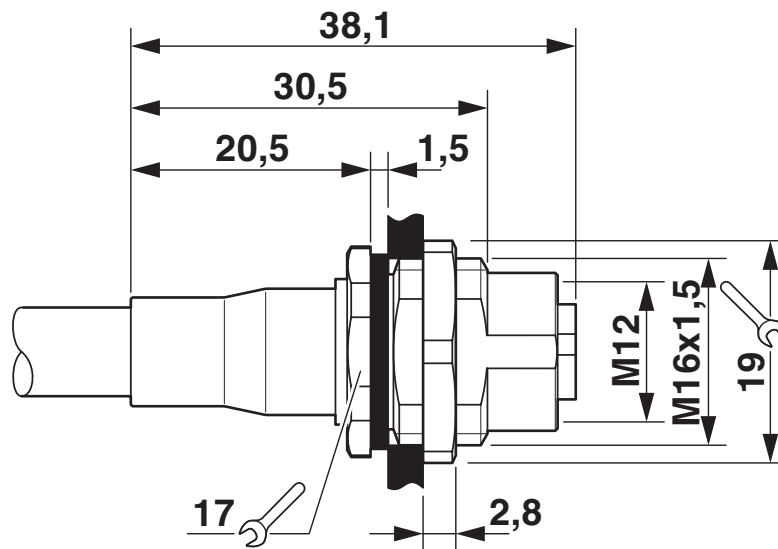
Drawings

Dimensional drawing



Plug, M12 x 1, straight, shielded

Dimensional drawing

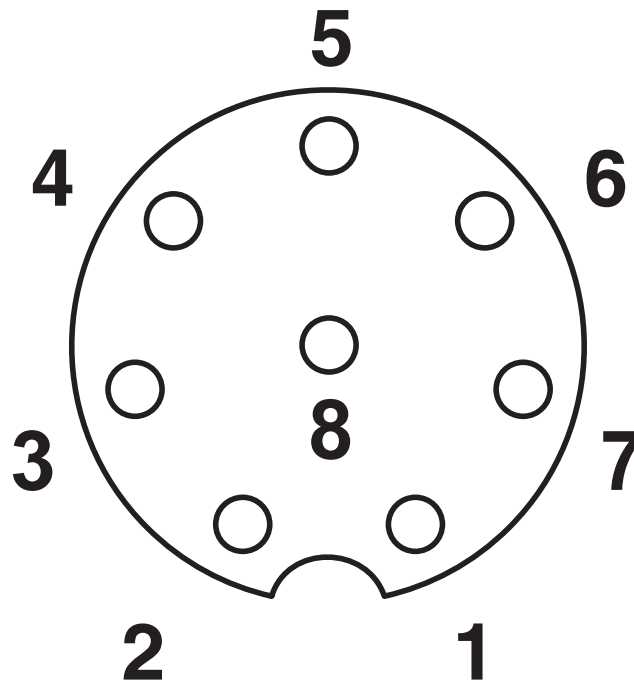


M12 flush-type connector

1405267

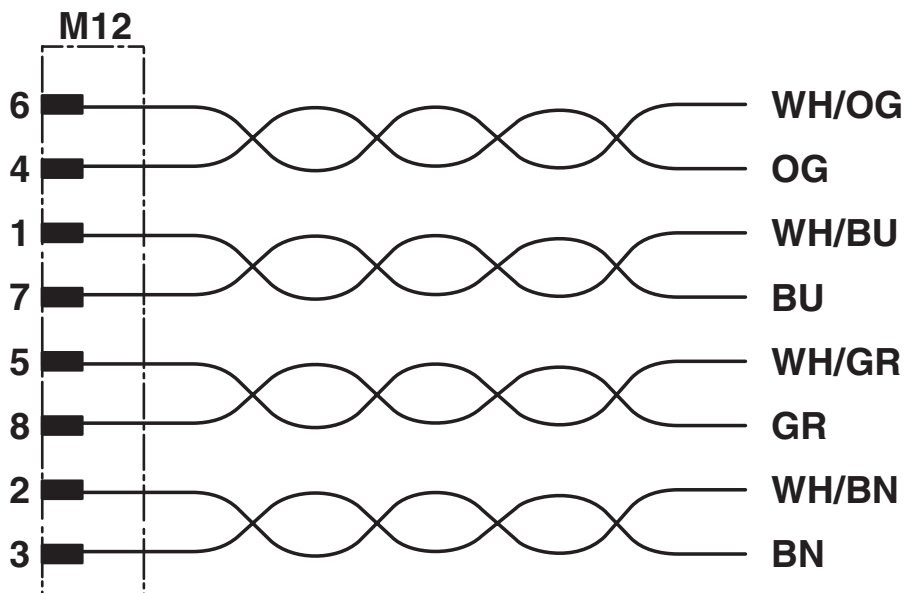
<https://www.phoenixcontact.com/us/products/1405267>

Schematic diagram



Pin assignment M12 socket, 8-pos., A-coded, view female side

Circuit diagram



Contact assignment of the M12 plug and the M12 socket

VS-M12FSBPS-M12MSS-94B/10,0 - Network cable



1405267

<https://www.phoenixcontact.com/us/products/1405267>

Classifications

UNSPSC

UNSPSC 21.0

26121604

Phoenix Contact 2026 © - all rights reserved

<https://www.phoenixcontact.com>

Phoenix Contact USA

586 Fulling Mill Road

Middletown, PA 17057, United States

(+717) 944-1300

info@phoenixcon.com