

VS-PPC-C1-PC67-MNNA-OL - Protective cover



1405251

<https://www.phoenixcontact.com/us/products/1405251>

Please be informed that the data shown in this PDF document is generated from our online catalog. Please find the complete data in the user documentation. Our general terms of use for downloads are valid.

Protective cover, IP67, metal version, to cover the contact insert in the RJ45 and SC-RJ push-pull panel mounting frames



Commercial data

Item number	1405251
Packing unit	1 pc
Minimum order quantity	10 pc
Product key	ABNODZ
GTIN	4046356334778
Weight per piece (including packing)	59.9 g
Weight per piece (excluding packing)	59.9 g
Country of origin	DE

VS-PPC-C1-PC67-MNNA-OL - Protective cover



1405251

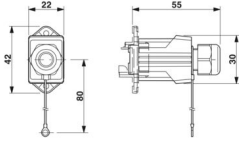
<https://www.phoenixcontact.com/us/products/1405251>

Technical data

Product properties

Product type	Protective cover
--------------	------------------

Dimensions

Dimensional drawing	
Width	22 mm
Height	30 mm
Length	70 mm

Material specifications

Color	silver
Material	Metal
Flammability rating according to UL 94	V0
Housing material	Die-cast zinc
Housing surface material	nickel-plated
O-ring material	NBR

Mechanical properties

Mechanical data

Insertion/withdrawal cycles	≥ 500
-----------------------------	-------

Environmental and real-life conditions

Ambient conditions

Degree of protection	IP65/IP67
Ambient temperature (operation)	-40 °C ... 70 °C

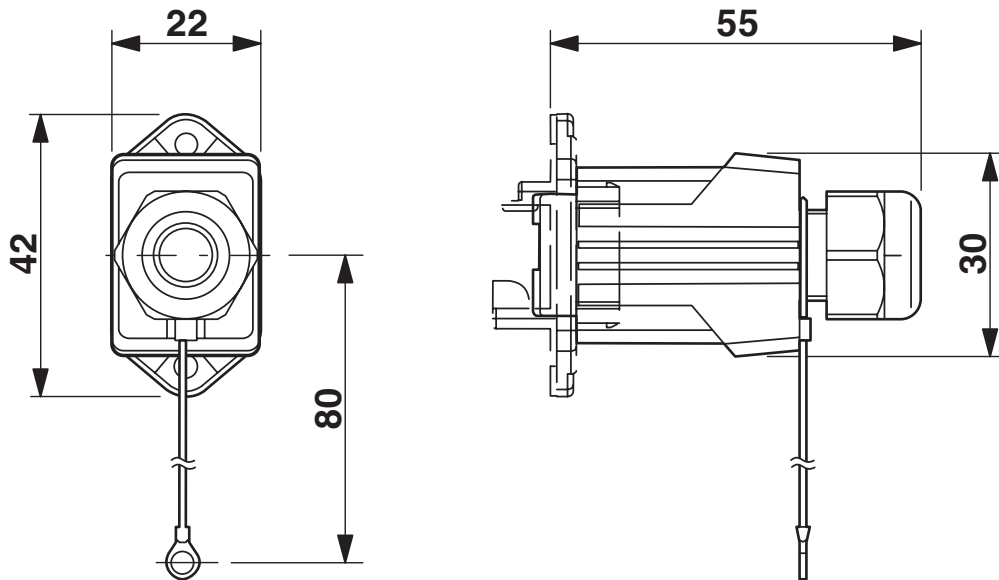
VS-PPC-C1-PC67-MNNA-OL - Protective cover

1405251

<https://www.phoenixcontact.com/us/products/1405251>

Drawings

Dimensional drawing



Protective cover for the Push-Pull panel mounting frame

VS-PPC-C1-PC67-MNNA-OL - Protective cover



1405251

<https://www.phoenixcontact.com/us/products/1405251>

Classifications

ECLASS

ECLASS-13.0

27440208

ETIM

ETIM 9.0

EC002314

UNSPSC

UNSPSC 21.0

39121400

1405251

<https://www.phoenixcontact.com/us/products/1405251>

Environmental product compliance

EU RoHS

Fulfills EU RoHS substance requirements	Yes, No exemptions
---	--------------------

China RoHS

Environment friendly use period (EFUP)	EFUP-E
	No hazardous substances above the limits

EU REACH SVHC

REACH candidate substance (CAS No.)	6,6'-di-tert-butyl-2,2'-methylenedi-p-cresol(CAS: 119-47-1)
SCIP	77f90843-9c4d-4a77-b756-bef32856c395

Phoenix Contact 2026 © - all rights reserved

<https://www.phoenixcontact.com>

Phoenix Contact USA
586 Fulling Mill Road
Middletown, PA 17057, United States
(+717) 944-1300
info@phoenixcon.com