

EV-T2M3C-3AC20A-4,0M2,5EHBK00 - AC charging cable



1405197

<https://www.phoenixcontact.com/us/products/1405197>

Please be informed that the data shown in this PDF document is generated from our online catalog. Please find the complete data in the user documentation. Our general terms of use for downloads are valid.

CHARX connect, Type 2, cable: 4 m, spiraled, IEC 62196-2, AC charging cable with Vehicle Connector, open cable end, with protective cap



Product description

AC charging cable with vehicle charging connector and free cable end for charging electric vehicles (EV) with alternating current (AC) via type 2 vehicle charging inlets, for installation at charging stations for e-mobility (EVSE)

Your advantages

- Consistent design of all Phoenix Contact Vehicle Connectors and Infrastructure Plugs
- Silver-plated surface of the power and signal contacts
- Developed and produced in accordance with the IATF 16949 automotive standard and ISO 9001
- Convenient handling, thanks to the ergonomic handle and additional, rubber grip components

Commercial data

Item number	1405197
Packing unit	1 pc
Note	Made to order (non-returnable)
Sales key	EM01
Product key	XWBAAC
GTIN	4046356737074
Weight per piece (including packing)	2.28 kg
Weight per piece (excluding packing)	2.21 kg
Customs tariff number	85444290
Country of origin	DE

EV-T2M3C-3AC20A-4,0M2,5EHBK00 - AC charging cable



1405197

<https://www.phoenixcontact.com/us/products/1405197>

Technical data

Product properties

Product type	AC charging cable
Product family	CHARX connect
Charging standard	Type 2
Charging mode	Mode 3, Case C

Electrical properties

Charging power and current (AC charging, 3-phase)

Type of charging current	AC 3-phase
Charging current	20 A AC (1-phase)
Charging power	16.63 kW
Rated voltage	440 V

Cable/line

Cable length	4 m
Wiring standards/regulations	prEN 50620/DIN EN 50620
Wiring certifications	VDE
Cable type	Class 5
Cable type	spiraled
Cable structure	5 x 2.5 mm ² + 1 x 0.5 mm ²
External cable diameter	12.80 mm ±0.4 mm
Outer sheath, material	TPE-U
Stripping length of the sheath	45 mm ±10 mm
Block length	0.63 m ±10 %
Coil diameter	60 mm ±10 %
Effective length	max. 4 m ±5 %
Stripping length	45 mm ±10 mm
Cable resistance	≤ 0.00798 Ω/m (based on a power core, at an ambient temperature of 20°C)
Bending radius	min. 192 mm (15x diameter)
Cable length	4 m
Stripping length	45 mm ±10 mm
External cable diameter	12.80 mm ±0.4 mm
Cable type	Class 5
Wiring certifications	VDE
Wiring standards/regulations	prEN 50620/DIN EN 50620
Cable resistance	≤ 0.00798 Ω/m (based on a power core, at an ambient temperature of 20°C)

Standards and regulations

Standards

EV-T2M3C-3AC20A-4,0M2,5EHBK00 - AC charging cable



1405197

<https://www.phoenixcontact.com/us/products/1405197>

Standards/regulations

IEC 62196-2

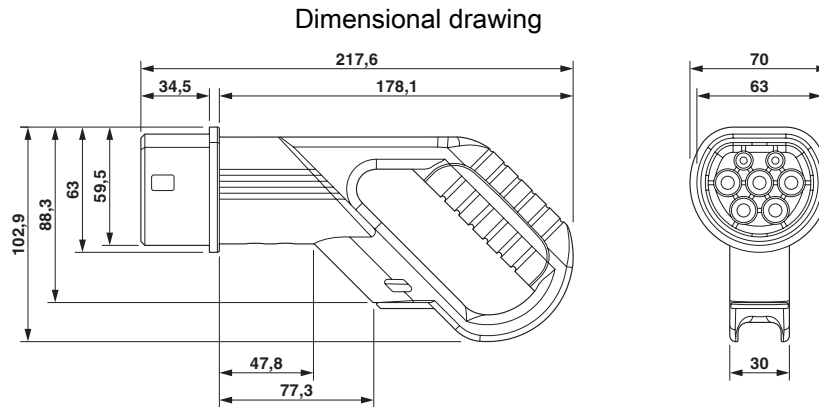
EV-T2M3C-3AC20A-4,0M2,5EHBK00 - AC charging cable



1405197

<https://www.phoenixcontact.com/us/products/1405197>

Drawings



Make sure that the vehicle charging connector is placed in an appropriate charging connector holder, which ensures a minimum protection rating of IP24 in accordance with IEC 61851-1, for the entire time between charging. To create this charging connector holder, use the dimensions of the vehicle charging connector. Detailed dimensions can also be found in the Download area.

EV-T2M3C-3AC20A-4,0M2,5EHBK00 - AC charging cable

1405197

<https://www.phoenixcontact.com/us/products/1405197>

Schematic diagram



Operating instructions

EV-T2M3C-3AC20A-4,0M2,5EHBK00 - AC charging cable

1405197

<https://www.phoenixcontact.com/us/products/1405197>

Schematic diagram



Pin assignment of the Vehicle Connector

EV-T2M3C-3AC20A-4,0M2,5EHBK00 - AC charging cable



1405197

<https://www.phoenixcontact.com/us/products/1405197>

Classifications

UNSPSC

UNSPSC 21.0	39121522
-------------	----------

EV-T2M3C-3AC20A-4,0M2,5EHBK00 - AC charging cable



1405197

<https://www.phoenixcontact.com/us/products/1405197>

Environmental product compliance

China RoHS

Environment friendly use period (EFUP)	EFUP-10
	An article-related China RoHS declaration table can be found in the download area for the respective article under "Manufacturer declaration". For all articles with EFUP-E, no China RoHS declaration table issued and required.

EU REACH SVHC

REACH candidate substance (CAS No.)	No substance above 0.1 wt%
-------------------------------------	----------------------------

Phoenix Contact 2026 © - all rights reserved
<https://www.phoenixcontact.com>

Phoenix Contact USA
586 Fulling Mill Road
Middletown, PA 17057, United States
(+717) 944-1300
info@phoenixcon.com