

SAC-4P-M12MRDC5/ 2,0-93E/RJ45 - Network cable



1405185

<https://www.phoenixcontact.com/us/products/1405185>

Please be informed that the data shown in this PDF document is generated from our online catalog. Please find the complete data in the user documentation. Our general terms of use for downloads are valid.



Network cable, Ethernet CAT5, 4-position, PUR halogen-free, water blue RAL 5021, shielded, Plug angled M12, coding: D / IP67, on Plug straight RJ45 / IP20, cable length: 2 m, Outlet direction C5, 315° coding

Commercial data

| | |
|--------------------------------------|---------------|
| Item number | 1405185 |
| Packing unit | 1 pc |
| Minimum order quantity | 50 pc |
| Product key | AF1CJI |
| GTIN | 4046356737319 |
| Weight per piece (including packing) | 122.3 g |
| Weight per piece (excluding packing) | 106.5 g |
| Country of origin | PL |

1405185

<https://www.phoenixcontact.com/us/products/1405185>

Technical data

Product properties

| | |
|---------------------|-------------------------|
| Product type | Data cable preassembled |
| Number of positions | 4 |
| Shielded | yes |

Interfaces

| | |
|----------------------|--------------------------------|
| Bus system | Ethernet |
| Signal type/category | Ethernet CAT5 (IEC 11801:2002) |

Signaling

| | |
|------------------------|----|
| Status display | no |
| Status display present | no |

Electrical properties

| | |
|---|-----------------------|
| Nominal voltage U_N | 48 V AC |
| | 60 V DC |
| Nominal current I_N | 1 A |
| Transmission medium | Copper |
| Transmission characteristics (category) | CAT5 (IEC 11801:2002) |

Connector

Connection 1

| | |
|---------------------------------|---|
| Type | Plug angled M12 / IP67 |
| Number of positions | 4 |
| Coding type | D (Data) |
| Shielded | yes |
| Handle color | black |
| Material | CuZn (Contact) |
| | Ni/Au (Contact surface) |
| | TPU (Contact carrier) |
| | TPU, hardly inflammable, self-extinguishing (Grip body) |
| | Zinc die-cast, nickel-plated (Screw connection) |
| Insertion/withdrawal cycles | ≥ 100 |
| Insulation resistance | ≥ 100 MΩ |
| Tightening torque | 0.4 Nm |
| Degree of protection | IP67 |
| Ambient temperature (operation) | -25 °C ... 90 °C |

Connection 2

| | |
|---------------------|---------------------------|
| Type | Plug straight RJ45 / IP20 |
| Number of positions | 4 (8) |
| Handle color | gray |

SAC-4P-M12MRDC5/ 2,0-93E/RJ45 - Network cable



1405185


<https://www.phoenixcontact.com/us/products/1405185>

| | |
|---------------------------------|-------------------------|
| Material | CuSn (Contact) |
| | Ni/Au (Contact surface) |
| | PC (Contact carrier) |
| | PA (Housing) |
| Insertion/withdrawal cycles | ≥ 750 |
| Degree of protection | IP20 |
| Ambient temperature (operation) | -40 °C ... 60 °C |

Cable/line

| | |
|--------------|-----|
| Cable length | 2 m |
|--------------|-----|

Ethernet flexible CAT5, 2-pair [93E]

| | |
|---------------------------------|---|
| Dimensional drawing |  |
| Cable weight | 42 kg/km |
| UL AWM Style | 20963 (80°C/30 V) |
| Wiring standards/regulations | Electrical requirements EN 50288-2-2 |
| Number of positions | 4 |
| Shielded | yes |
| Cable type | Ethernet flexible CAT5, 2-pair [93E] |
| Conductor structure | 2x2xAWG26/7, SF/UTP |
| Signal runtime | 5.3 ns/m |
| Conductor structure signal line | 7x 0.16 mm |
| AWG signal line | 26 |
| Conductor cross-section | 2x 2x 0.14 mm ² |
| Wire diameter incl. insulation | 0.98 mm |
| External cable diameter | 6.40 mm ±0.2 mm |
| Outer sheath, material | PUR |
| External sheath, color | water blue RAL 5021 |
| Conductor material | Bare Cu litz wires |
| Material wire insulation | Foamed PE |
| Single wire, color | white/orange-orange, white/green-green |
| Thickness, outer sheath | 1.20 mm |
| Twisted pairs | 2 cores to the pair |
| Overall twist | Two pairs with two fillers to the core |
| Optical shield covering | 70 % |
| Insulation resistance | ≥ 500 MΩ*km |
| Coupling resistance | ≤ 100.00 mΩ/m (at 10 MHz) |

SAC-4P-M12MRDC5/ 2,0-93E/RJ45 - Network cable



1405185

<https://www.phoenixcontact.com/us/products/1405185>

| | |
|--|---|
| Loop resistance | ≤ 290.00 Ω/km |
| Wave impedance | 100 Ω ±5 Ω (at 100 MHz) |
| Cable capacity | approx. 45 nF/km (at 1 kHz) |
| Nominal voltage, cable | ≤ 100 V (Peak value, not for high-power applications) |
| Test voltage Core/Core | 700 V (50 Hz, 1 min.) |
| Test voltage Core/Shield | 700.00 V (50 Hz, 1 min.) |
| Current carrying capacity of cable | 2.00 A (according to DIN VDE 0891-1) |
| Minimum bending radius, fixed installation | 4 x D |
| Minimum bending radius, flexible installation | 8 x D |
| Smallest bending radius, fixed installation | 26 mm |
| Smallest bending radius, movable installation | 52 mm |
| Tensile strength | ≤ 80 N |
| Near end crosstalk attenuation (NEXT) | 65.3 dB (with 1 MHz) |
| | 56.3 dB (at 4 MHz) |
| | 50.3 dB (at 10 MHz) |
| | 47.2 dB (at 16 MHz) |
| | 45.8 dB (at 20 MHz) |
| | 42.9 dB (at 31.25 MHz) |
| | 38.4 dB (at 62.5 MHz) |
| | 35.3 dB (at 100 MHz) |
| Power-summed near end crosstalk attenuation (PSNEXT) | 62.3 dB (with 1 MHz) |
| | 53.3 dB (at 4 MHz) |
| | 47.3 dB (at 10 MHz) |
| | 44.2 dB (at 16 MHz) |
| | 42.8 dB (at 20 MHz) |
| | 39.9 dB (at 31.25 MHz) |
| | 35.4 dB (at 62.5 MHz) |
| | 32.3 dB (at 100 MHz) |
| Return attenuation (RL) | 23 dB (at 4 MHz) |
| | 24.1 dB (at 8 MHz) |
| | 25 dB (at 10 MHz) |
| | 25 dB (at 16 MHz) |
| | 25 dB (at 20 MHz) |
| | 23.6 dB (at 31.25 MHz) |
| | 21.5 dB (at 62.5 MHz) |
| | 20.1 dB (at 100 MHz) |
| Shield attenuation | 3.2 dB (with 1 MHz) |
| | 6 dB (at 4 MHz) |
| | 9.5 dB (at 10 MHz) |
| | 12.1 dB (at 16 MHz) |
| | 13.6 dB (at 20 MHz) |
| | 17.1 dB (at 31.25 MHz) |
| | 24.8 dB (at 62.5 MHz) |
| | 32 dB (at 100 MHz) |

SAC-4P-M12MRDC5/ 2,0-93E/RJ45 - Network cable



1405185

<https://www.phoenixcontact.com/us/products/1405185>

| | |
|------------------------------------|---|
| Halogen-free | according to IEC 60754-1 |
| Flame resistance | according to IEC 60332-1-2 |
| | in acc. to UL VW1 |
| | in accordance with UN ECE-R 118.03 |
| Resistance to oil | in accordance with EN 60811-2-1 |
| Ambient temperature (operation) | -40 °C ... 80 °C (cable, fixed installation) |
| | -20 °C ... 80 °C (Cable, flexible installation) |
| Ambient temperature (installation) | -20 °C ... 80 °C |

Environmental and real-life conditions

Ambient conditions

| | |
|----------------------|-----------------------|
| Degree of protection | IP65 (M12 connector) |
| | IP67 (M12 connector) |
| | IP20 (RJ45 connector) |

Standards and regulations

M12

| | |
|--------------------------|-----------------|
| Standard designation | M12 connector |
| Standards/specifications | IEC 61076-2-101 |

SAC-4P-M12MRDC5/ 2,0-93E/RJ45 - Network cable

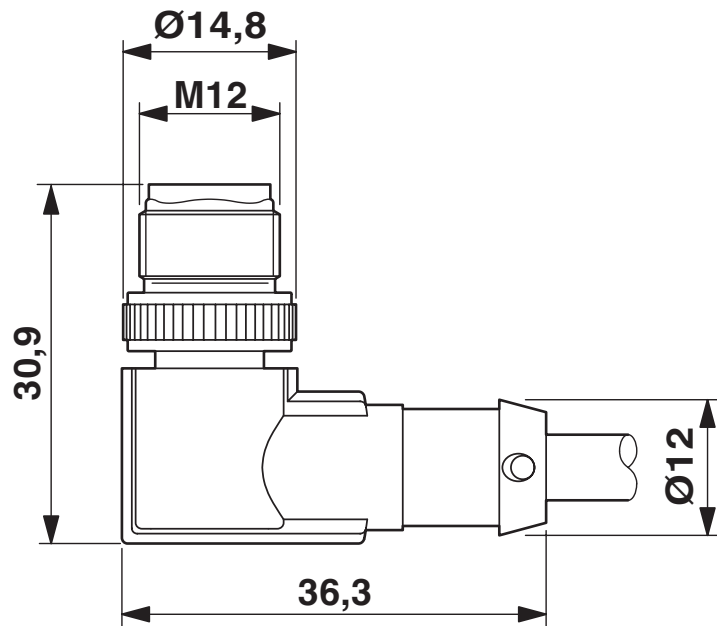


1405185

<https://www.phoenixcontact.com/us/products/1405185>

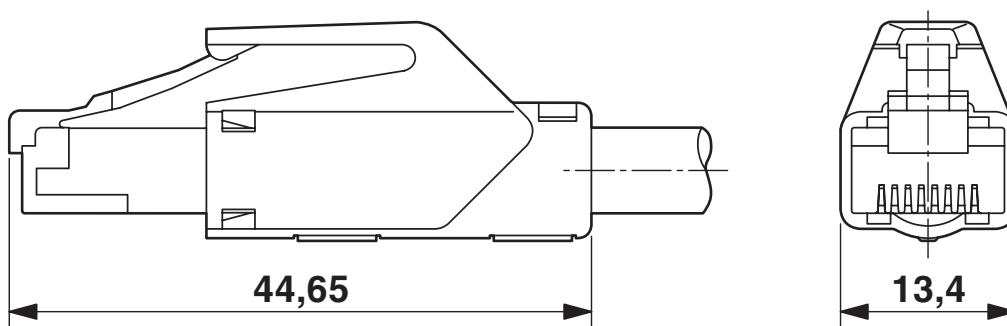
Drawings

Dimensional drawing



M12 x 1 male plug, angled, shielded

Dimensional drawing



RJ45 connector, IP20

SAC-4P-M12MRDC5/ 2,0-93E/RJ45 - Network cable



1405185

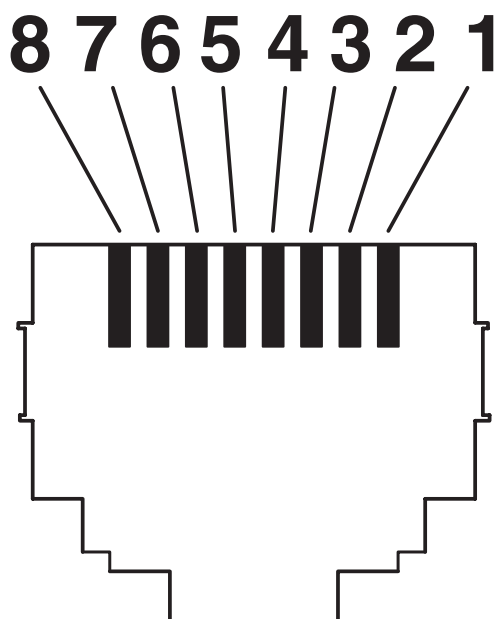
<https://www.phoenixcontact.com/us/products/1405185>

Schematic diagram



Pin assignment M12 male connector, 4-pos., D-coded, male side

Schematic diagram



Connector pin assignment plug RJ45

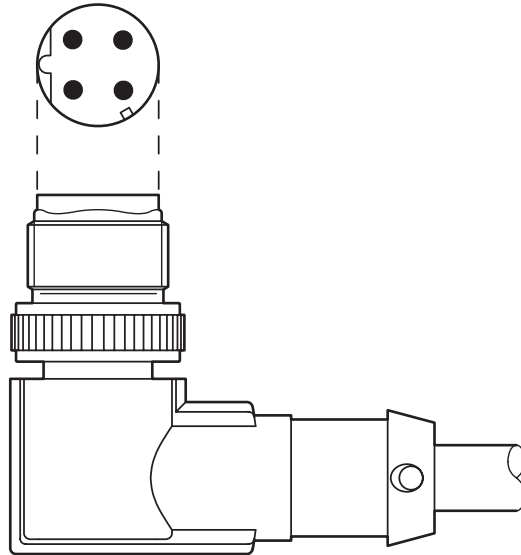
SAC-4P-M12MRDC5/ 2,0-93E/RJ45 - Network cable



1405185

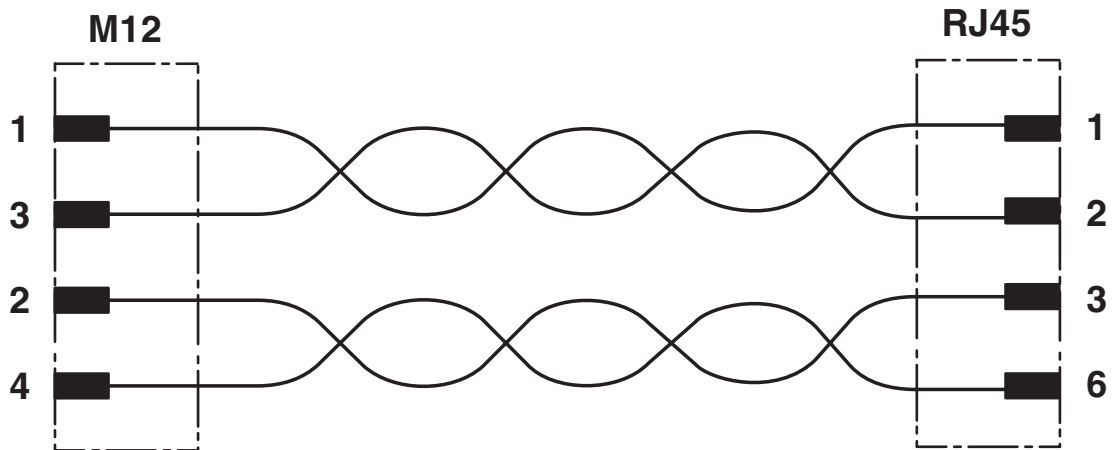
<https://www.phoenixcontact.com/us/products/1405185>

Schematic diagram



Alignment of the pin assignment (C5)

Circuit diagram



Contact assignment of the M12 and RJ45 plug

SAC-4P-M12MRDC5/ 2,0-93E/RJ45 - Network cable



1405185

<https://www.phoenixcontact.com/us/products/1405185>

Classifications

ECLASS

| | |
|-------------|----------|
| ECLASS-13.0 | 27060307 |
| ECLASS-15.0 | 27060307 |

UNSPSC

| | |
|-------------|----------|
| UNSPSC 21.0 | 31251501 |
|-------------|----------|

Phoenix Contact 2026 © - all rights reserved
<https://www.phoenixcontact.com>

Phoenix Contact USA
586 Fulling Mill Road
Middletown, PA 17057, United States
(+717) 944-1300
info@phoenixcon.com