

VS-04-MS-2GB-IP67 - USB memory stick

1405109

<https://www.phoenixcontact.com/us/products/1405109>

Please be informed that the data shown in this PDF document is generated from our online catalog. Please find the complete data in the user documentation. Our general terms of use for downloads are valid.

USB memory stick, IP67, memory capacity 2 GB, USB 2.0, designed to connect through the panel mounting frame VS-A-F-IP67 on the VARIOSUB-USB socket inserts



Commercial data

Item number	1405109
Packing unit	1 pc
Note	Made to order (non-returnable)
Sales key	NULL
Product key	ABNDBZ
GTIN	4046356321815
Weight per piece (including packing)	98.1 g
Weight per piece (excluding packing)	98.1 g
Customs tariff number	85235110
Country of origin	DE

VS-04-MS-2GB-IP67 - USB memory stick



1405109

<https://www.phoenixcontact.com/us/products/1405109>

Technical data

Product properties

Number of positions	4
---------------------	---

Electrical properties

Transmission characteristics (category)	USB 2.0
---	---------

Environmental and real-life conditions

Ambient conditions

Degree of protection	IP67
Ambient temperature (operation)	-15 °C ... 60 °C

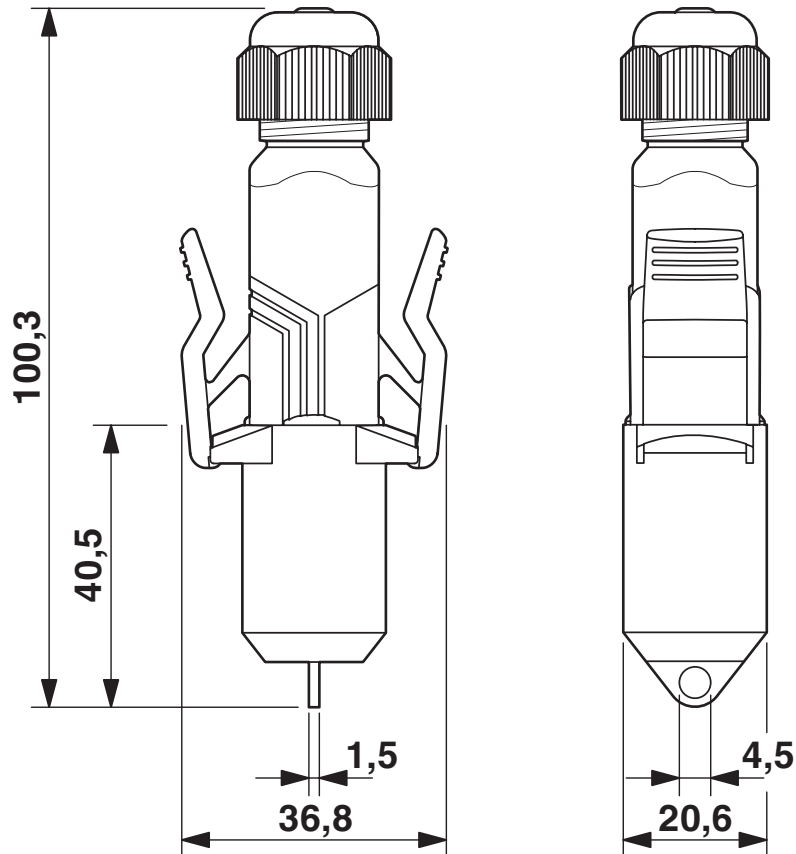
VS-04-MS-2GB-IP67 - USB memory stick

1405109

<https://www.phoenixcontact.com/us/products/1405109>

Drawings

Dimensional drawing



USB memory stick, IP67

1405109

<https://www.phoenixcontact.com/us/products/1405109>

Environmental product compliance

China RoHS

Environment friendly use period (EFUP)	EFUP-50
	An article-related China RoHS declaration table can be found in the download area for the respective article under "Manufacturer declaration". For all articles with EFUP-E, no China RoHS declaration table issued and required.

EU REACH SVHC

REACH candidate substance (CAS No.)	6,6'-di-tert-butyl-2,2'-methylenedi-p-cresol(CAS: 119-47-1)
-------------------------------------	---

Phoenix Contact 2026 © - all rights reserved
<https://www.phoenixcontact.com>

Phoenix Contact USA
586 Fulling Mill Road
Middletown, PA 17057, United States
(+717) 944-1300
info@phoenixcon.com