

VS-BH-M12FS-8CON-RJ45/ 90 - Control cabinet feed-through



1405057

<https://www.phoenixcontact.com/us/products/1405057>

Please be informed that the data shown in this PDF document is generated from our online catalog. Please find the complete data in the user documentation. Our general terms of use for downloads are valid.

Control cabinet feed-through, M12, 8-pos., A-coded on RJ45 socket, socket input 90°, IP65/67



Commercial data

Item number	1405057
Packing unit	1 pc
Note	Made to order (non-returnable)
Sales key	NULL
Product key	ABNMAY
GTIN	4046356298544
Weight per piece (including packing)	36.4 g
Weight per piece (excluding packing)	36.4 g
Customs tariff number	85366990
Country of origin	DE

VS-BH-M12FS-8CON-RJ45/ 90 - Control cabinet feed-through



1405057

<https://www.phoenixcontact.com/us/products/1405057>

Technical data

Product properties

Product type	Circular connectors (device side)
Type	angled
Number of positions	8
Shielded	yes
Thread type	M12

Material specifications

Color	black
Material	PA
Flammability rating according to UL 94	V0
Housing material	PA
Contact material	Copper alloy

Electrical properties

Rated voltage (III/3)	50 V
Rated surge voltage	0.8 kV
Rated current	1 A
Nominal voltage U_N	48 V
Nominal current I_N	1 A
Transmission speed	1 Gbps
Transmission characteristics (category)	CAT5 (IEC 11801:2002)

Mechanical properties

Mechanical data

Insertion/withdrawal cycles	≥ 100
-----------------------------	------------

Cable/line

Signal type/category	Ethernet CAT5 (IEC 11801:2002), 1 Gbps
----------------------	--

Environmental and real-life conditions

Ambient conditions

Degree of protection	IP65
	IP67
	IP65/IP67
Ambient temperature (operation) (male connector/female connector)	-25 °C ... 85 °C

VS-BH-M12FS-8CON-RJ45/ 90 - Control cabinet feed-through

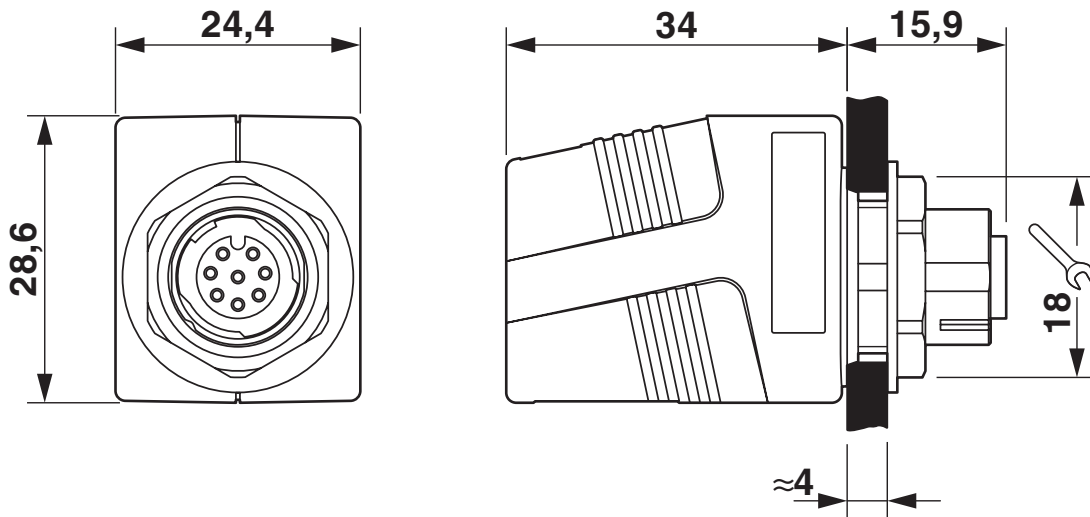


1405057

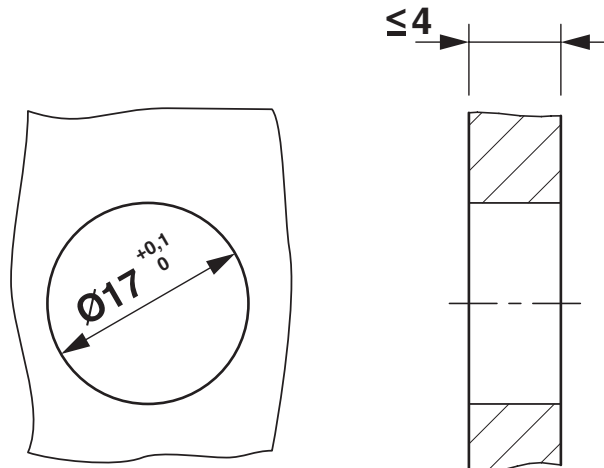
<https://www.phoenixcontact.com/us/products/1405057>

Drawings

Dimensional drawing



Dimensional drawing



Mounting cutout

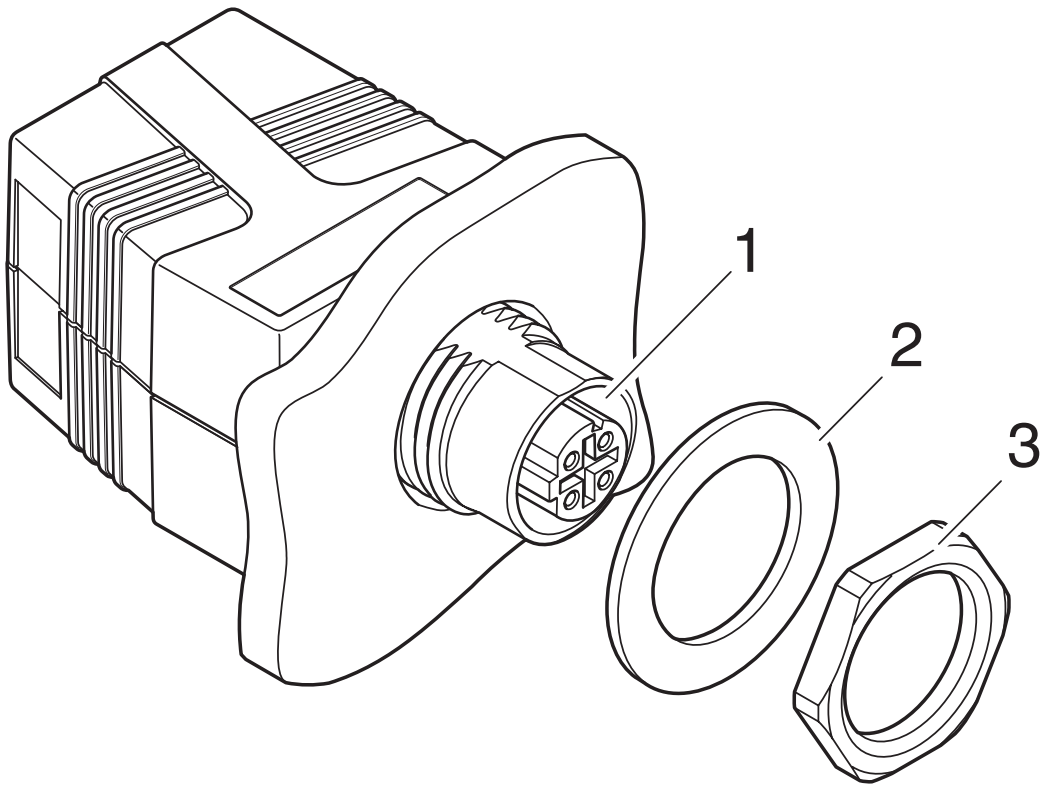
VS-BH-M12FS-8CON-RJ45/ 90 - Control cabinet feed-through



1405057

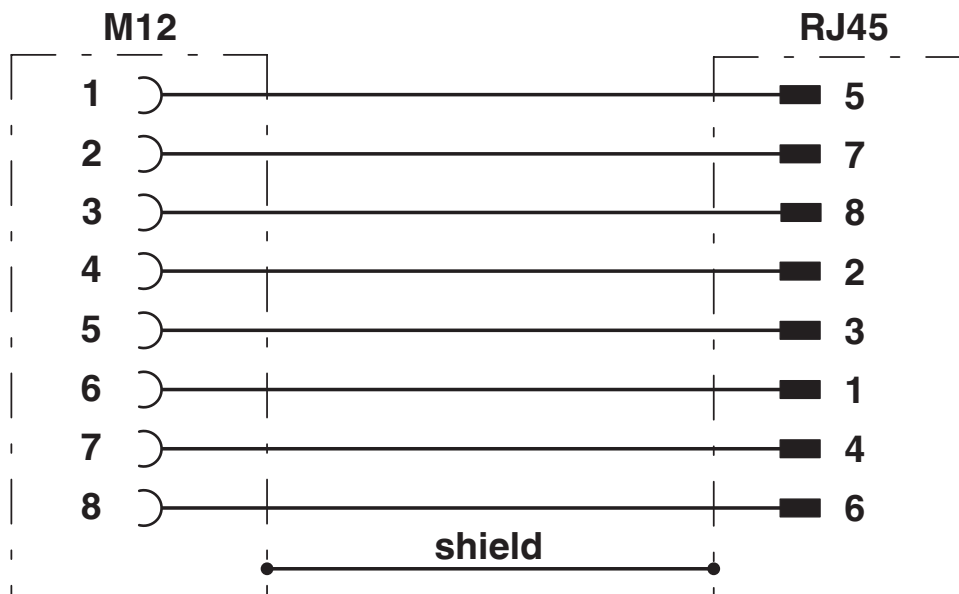
<https://www.phoenixcontact.com/us/products/1405057>

Exploded view



Exploded drawing

Circuit diagram



Circuit diagram

VS-BH-M12FS-8CON-RJ45/ 90 - Control cabinet feed-through



1405057

<https://www.phoenixcontact.com/us/products/1405057>

Phoenix Contact 2026 © - all rights reserved

<https://www.phoenixcontact.com>

Phoenix Contact USA
586 Fulling Mill Road
Middletown, PA 17057, United States
(+717) 944-1300
info@phoenixcon.com