

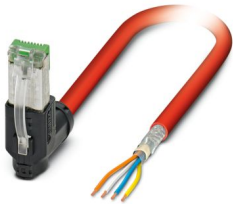
# VS-PNRJ45R-OE-93K/3,0 - Bus system cable



1405001

<https://www.phoenixcontact.com/us/products/1405001>

Please be informed that the data shown in this PDF document is generated from our online catalog. Please find the complete data in the user documentation. Our general terms of use for downloads are valid.



Sercos III patch cable, shielded, star quad, 22 AWG stranded (7-wire), RAL 3020 (traffic red), RJ45 plug/IP20 (angled) to open cable end (angled), length: 3 m

Sercos III patch cable

## Commercial data

Item number	1405001
Packing unit	1 pc
Minimum order quantity	10 pc
Product key	ABNABA
GTIN	4046356733564
Weight per piece (including packing)	220 g
Weight per piece (excluding packing)	220 g
Country of origin	PL

# VS-PNRJ45R-OE-93K/3,0 - Bus system cable



1405001

<https://www.phoenixcontact.com/us/products/1405001>

## Technical data

### Product properties

Product type	Data cable preassembled
Product family	RJ45 INDUSTRIAL PN4 CAT5
Number of positions	4
Shielded	yes

### Insulation characteristics

Degree of pollution	1
---------------------	---

### Interfaces

Signal type/category	Sercos CAT5, 100 Mbps
----------------------	-----------------------

### Electrical properties

Rated voltage (III/3)	72 V (DC)
Transmission medium	Copper
Transmission speed	100 Mbps
Transmission speed	100 Mbps

### Mechanical properties

#### Mechanical data

Insertion force per signal contact	30.00 N
Extraction force per signal contact	50 N

### Material specifications

Flammability rating according to UL 94	V0
--	----

### Connector

#### Connection 2

Type	free cable end
------	----------------

### Cable/line

Cable length	3.00 m
--------------	--------

#### Sercos III [93K]

Dimensional drawing



# VS-PNRJ45R-OE-93K/3,0 - Bus system cable



1405001

<https://www.phoenixcontact.com/us/products/1405001>

Cable weight	68 kg/km
UL AWM Style	21694 (60 °C / 600 V)
Number of positions	4
Shielded	yes
Cable type	Sercos III [93K]
Conductor structure	1x4xAWG22/7, SF/TQ
Signal runtime	5.3 ns/m
Conductor structure signal line	7x 0.25 mm
AWG signal line	22
Conductor cross-section	4x 0.34 mm <sup>2</sup>
Wire diameter incl. insulation	approx. 1.55 mm
External cable diameter	6.50 mm ±0.2 mm
Outer sheath, material	PVC
External sheath, color	signal red RAL 3020
Conductor material	Tin-plated Cu litz wires
Material wire insulation	PE
Single wire, color	white, yellow, blue, orange
Thickness, outer sheath	approx. 0.90 mm
Type of pair shielding	Aluminum-lined polyester foil
Overall twist	Star quad
Max. conductor resistance	≤ 120 Ω/km
Insulation resistance	≥ 0.5 GΩ*km
Coupling resistance	≤ 20.00 mΩ/m (at 10 Hz)
Wave impedance	100 Ω ±15 Ω (at 100 MHz)
Nominal voltage, cable	600 V
Test voltage Core/Core	2000 V (50 Hz, 1 min.)
Test voltage Core/Shield	2000.00 V (50 Hz, 1 min.)
Minimum bending radius, fixed installation	3 x D
Minimum bending radius, flexible installation	7 x D
Smallest bending radius, fixed installation	20 mm
Smallest bending radius, movable installation	46 mm
Flame resistance	according to UL 1685 (CSA FT 4)
Resistance to oil	Resistant to oil to a limited extent
Other resistance	UV resistant (according to UL 1581, Section 1200)
Ambient temperature (operation)	-40 °C ... 70 °C (cable, fixed installation) -40 °C ... 70 °C (Cable, flexible installation)
Ambient temperature (installation)	-20 °C ... 60 °C

## Environmental and real-life conditions

### Ambient conditions

Degree of protection	IP20
----------------------	------

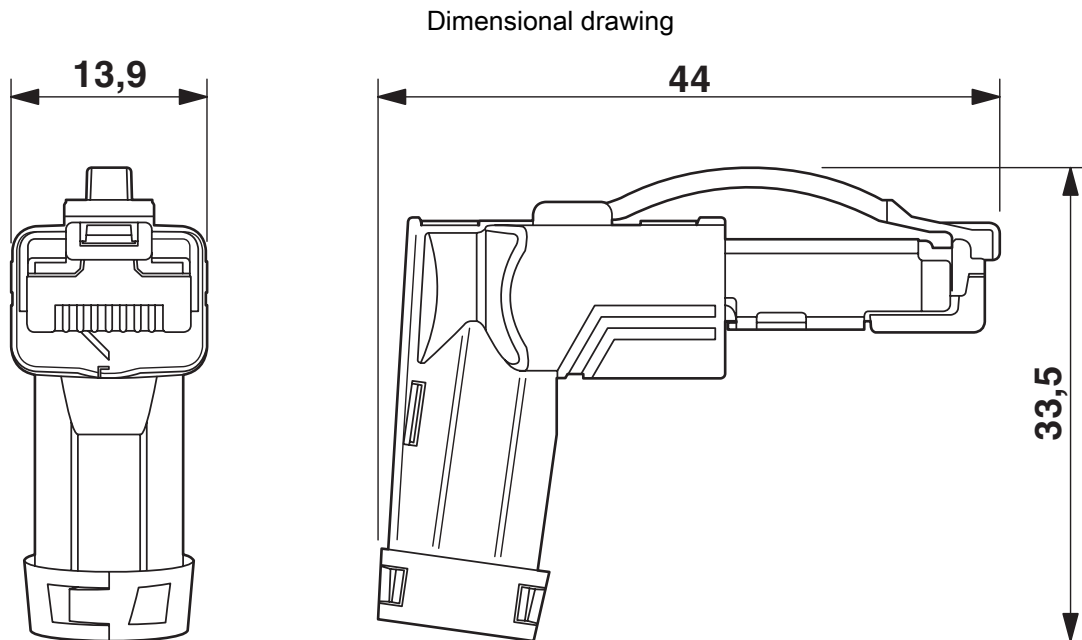
# VS-PNRJ45R-OE-93K/3,0 - Bus system cable



1405001

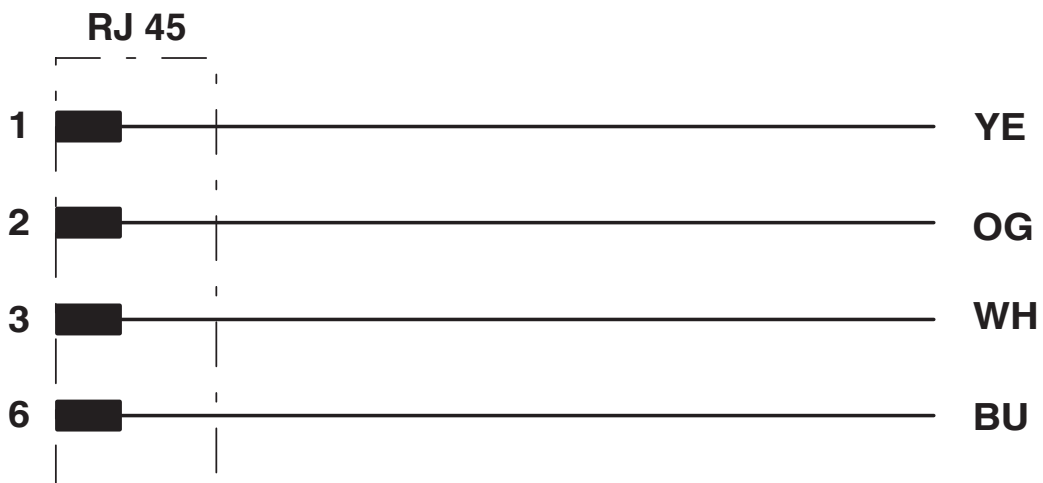
<https://www.phoenixcontact.com/us/products/1405001>

## Drawings



RJ45 connector, IP20, angled

## Circuit diagram



# VS-PNRJ45R-OE-93K/3,0 - Bus system cable



1405001

<https://www.phoenixcontact.com/us/products/1405001>

## Classifications

### ECLASS

ECLASS-13.0	27060307
ECLASS-15.0	27060307

### ETIM

ETIM 9.0	EC001855
----------	----------

### UNSPSC

UNSPSC 21.0	26121600
-------------	----------

# VS-PNRJ45R-OE-93K/3,0 - Bus system cable



1405001

<https://www.phoenixcontact.com/us/products/1405001>

## Environmental product compliance

### EU RoHS

Fulfills EU RoHS substance requirements	Yes, No exemptions
---	--------------------

### China RoHS

Environment friendly use period (EFUP)	EFUP-E
	No hazardous substances above the limits

### EU REACH SVHC

REACH candidate substance (CAS No.)	No substance above 0.1 wt%
-------------------------------------	----------------------------

Phoenix Contact 2026 © - all rights reserved  
<https://www.phoenixcontact.com>

Phoenix Contact USA  
586 Fulling Mill Road  
Middletown, PA 17057, United States  
(+717) 944-1300  
[info@phoenixcon.com](mailto:info@phoenixcon.com)