

SAC-3P-0,27-121/A 0,08 AE - Sensor/actuator cable



1404904

<https://www.phoenixcontact.com/us/products/1404904>

Please be informed that the data shown in this PDF document is generated from our online catalog. Please find the complete data in the user documentation. Our general terms of use for downloads are valid.



Sensor/actuator cable, 3-pos., PVC, RAL 7021 (black-gray), free cable end with wires measuring 8 cm in length and ferrules, to valve connector A

The figure shows the standard item

Commercial data

Item number	1404904
Packing unit	1 pc
Minimum order quantity	50 pc
Product key	AF1DAA
GTIN	4046356727440
Weight per piece (including packing)	44.7 g
Weight per piece (excluding packing)	37.3 g
Country of origin	PL

Technical data

Product properties

Product type	Sensor/actuator cable with valve connector
Number of positions	3
No. of cable outlets	1

Insulation characteristics

Overvoltage category	III
Degree of pollution	3

Material specifications

Flammability rating according to UL 94	V0
Seal material	TPU
Material housing valve plug	TPU
Contact material	CuSn
Valve plug contact insert material	PA 6.6
Contact surface material	Sn

Electrical properties

Insulation resistance	$\geq 100 \text{ M}\Omega$
Nominal voltage U_N	24 V DC
Nominal current I_N	4 A

Connector

Connection 1

Type	free cable end
------	----------------

Connection 2

Type	Valve connector A
Material	CuSn (Contact)
	Sn (Contact surface)
	PA 6.6 (Contact carrier)
	TPU (Housing)

Cable/line

Cable length	0.27 m
--------------	--------

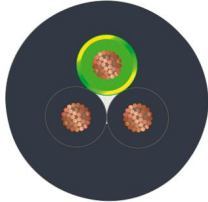
PUR black [121]

SAC-3P-0,27-121/A 0,08 AE - Sensor/actuator cable



1404904

<https://www.phoenixcontact.com/us/products/1404904>

Dimensional drawing	
Cable weight	58.8 kg/km
UL AWM Style	20549
Number of positions	3
Shielded	no
Cable type	PUR black [121]
Conductor structure signal line	32x 0.20 mm
AWG signal line	17
Conductor cross-section	3x 1 mm ²
Wire diameter incl. insulation	2.1 mm ±0.05 mm
External cable diameter	6.00 mm ±0.2 mm
Outer sheath, material	PUR
External sheath, color	black RAL 9005
Conductor material	Bare Cu litz wires
Material wire insulation	PP
Single wire, color	black 1, black 2, green/yellow
Overall twist	3 wires, twisted
Max. conductor resistance	19.5 Ω/km (at 20 °C)
Insulation resistance	≥ 20 MΩ*km
Nominal voltage, cable	300 V
Test voltage	1200 V
Minimum bending radius, fixed installation	5 x D
Minimum bending radius, flexible installation	10 x D
Smallest bending radius, fixed installation	30 mm
Smallest bending radius, movable installation	60 mm
Dynamic load capacity (bending)	Max. bending cycles: 3000000, Traversing rate: 2.5 m/s, Acceleration: 10 m/s ²
Halogen-free	in accordance with DIN VDE 0472 part 815
Flame resistance	DIN VDE 0482 DIN EN 50265-2-1
Resistance to oil	in accordance with DIN EN 60811-2-1
Other resistance	Low adhesion
Special properties	highly flexible
Ambient temperature (operation)	-40 °C ... 80 °C (cable, fixed installation) -20 °C ... 80 °C (Cable, flexible installation)

Environmental and real-life conditions

SAC-3P-0,27-121/A 0,08 AE - Sensor/actuator cable



1404904

<https://www.phoenixcontact.com/us/products/1404904>

Ambient conditions

Ambient temperature (operation)

-20 °C ... 85 °C (Valve connector)

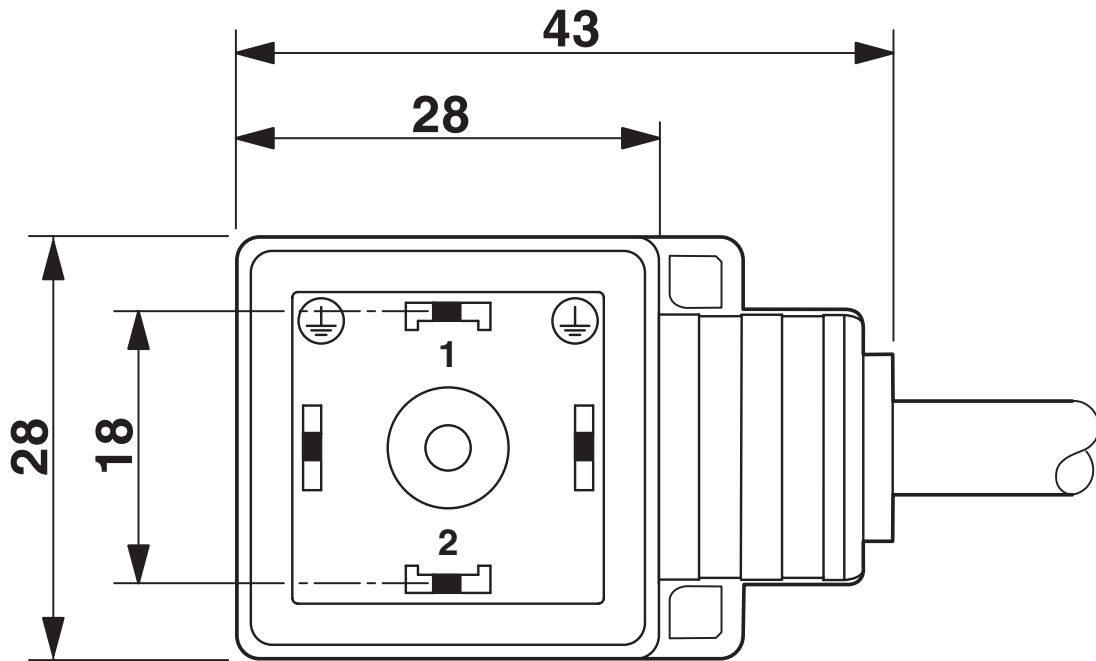
Standards and regulations

Standard designation

Valve connector

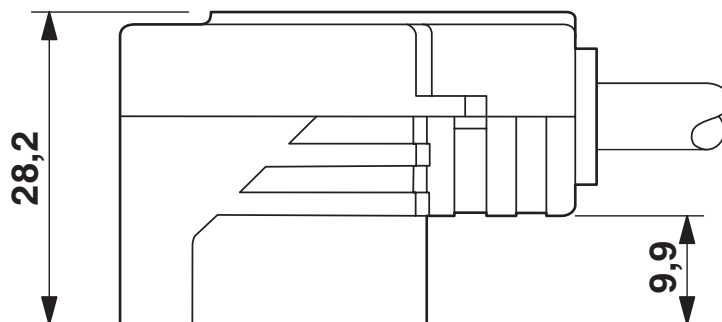
Drawings

Dimensional drawing



Valve connector, type A

Dimensional drawing



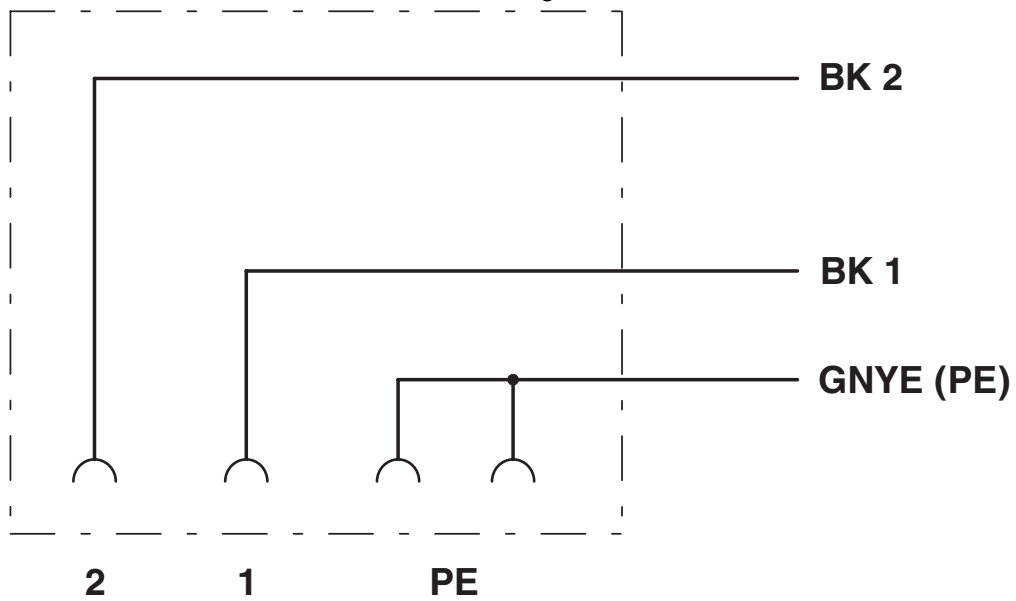
Valve connector, type A, side view

Schematic diagram



Valve connector pin assignment, type A

Circuit diagram



Contact assignment of the valve plug

SAC-3P-0,27-121/A 0,08 AE - Sensor/actuator cable




1404904

<https://www.phoenixcontact.com/us/products/1404904>

Approvals

To download certificates, visit the product detail page: <https://www.phoenixcontact.com/us/products/1404904>

 CSAus Approval ID: 13631				
	Nominal voltage U_N	Nominal current I_N	Cross section AWG	Cross section mm^2
keine				
	230 V	6 A	-	-

SAC-3P-0,27-121/A 0,08 AE - Sensor/actuator cable



1404904

<https://www.phoenixcontact.com/us/products/1404904>

Classifications

ECLASS

ECLASS-13.0	27060312
ECLASS-15.0	27060312

ETIM

ETIM 10.0	EC001855
-----------	----------

UNSPSC

UNSPSC 21.0	31251500
-------------	----------

SAC-3P-0,27-121/A 0,08 AE - Sensor/actuator cable



1404904

<https://www.phoenixcontact.com/us/products/1404904>

Environmental product compliance

EU RoHS

Fulfills EU RoHS substance requirements	Yes, No exemptions
---	--------------------

China RoHS

Environment friendly use period (EFUP)	EFUP-E
	No hazardous substances above the limits

EU REACH SVHC

REACH candidate substance (CAS No.)	No substance above 0.1 wt%
-------------------------------------	----------------------------

Phoenix Contact 2026 © - all rights reserved
<https://www.phoenixcontact.com>

Phoenix Contact USA
586 Fulling Mill Road
Middletown, PA 17057, United States
(+717) 944-1300
info@phoenixcon.com