

# VS-PPC-J-1226-1227-1021-0,2 - Y distributor



1404812

<https://www.phoenixcontact.com/us/products/1404812>

Please be informed that the data shown in this PDF document is generated from our online catalog. Please find the complete data in the user documentation. Our general terms of use for downloads are valid.

PROFINET Y distributor with assembled power line, 5-pos., IP65/IP67, 7/8" connector with metal housing on 2x socket in metal housing, cable length: 0.2 m



Y distributor with 7/8" connector

## Commercial data

Item number	1404812
Packing unit	1 pc
Minimum order quantity	1 pc
Product key	ABNOIA
GTIN	4046356320764
Weight per piece (including packing)	339.9 g
Weight per piece (excluding packing)	339.9 g
Country of origin	DE

1404812

<https://www.phoenixcontact.com/us/products/1404812>

## Technical data

### Product properties

Product type	Distributor with cable
Number of positions	5
Shielded	no

### Material specifications

Flammability rating according to UL 94	V0
Housing material	Die-cast zinc
Outer sheath, material	PVC
Conductor material	Bare Cu litz wires

### Electrical properties

Rated voltage (III/3)	24 V
Rated current	16 A

### Mechanical properties

#### Mechanical data

Insertion/withdrawal cycles	≤ 100
-----------------------------	-------

### Signaling

Status display	no
Status display present	no

### Connector

#### Connection 1

Type	Socket straight 7/8"-UNF
------	--------------------------

#### Connection 2

Type	Socket straight MSTB
Locking type	Push Pull

### Cable/line

#### PVC gray [PVC]

Shielded	no
Cable type	PVC gray
Cable type (abbreviation)	PVC
External cable diameter	8.1 mm
Outer sheath, material	PVC
External sheath, color	silver-gray RAL 7001
Conductor material	Bare Cu litz wires
Conductor cross-section	1.5 mm <sup>2</sup>

1404812

<https://www.phoenixcontact.com/us/products/1404812>

Smallest bending radius, fixed installation	40 mm
Smallest bending radius, movable installation	150 mm

## Environmental and real-life conditions

### Ambient conditions

Degree of protection	IP65
	IP67
	IP65/IP67
Ambient temperature (operation)	-40 °C ... 70 °C (cable, fixed installation)
	-5 °C ... 70 °C (Cable, flexible installation)
	Plug / socket

# VS-PPC-J-1226-1227-1021-0,2 - Y distributor

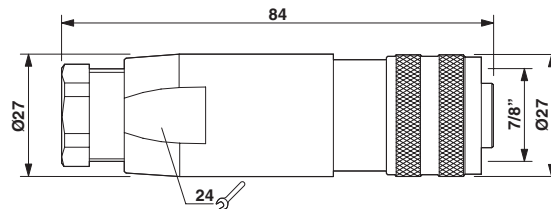


1404812

<https://www.phoenixcontact.com/us/products/1404812>

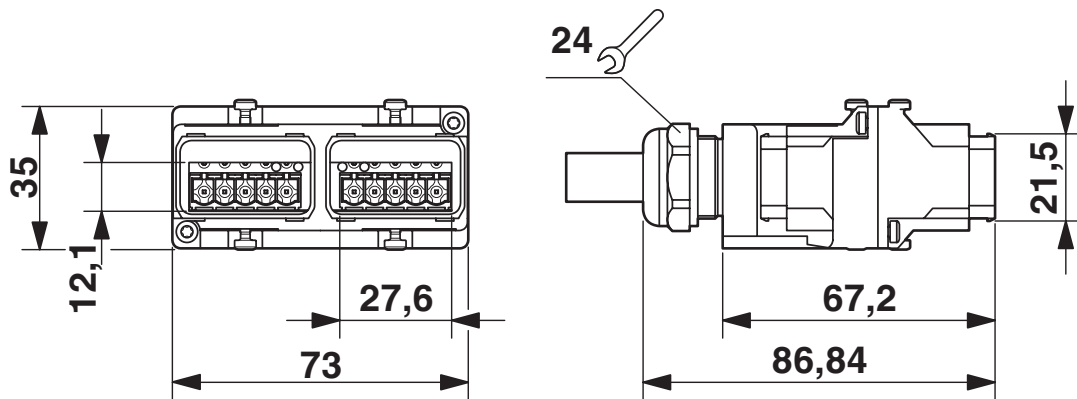
## Drawings

Dimensional drawing

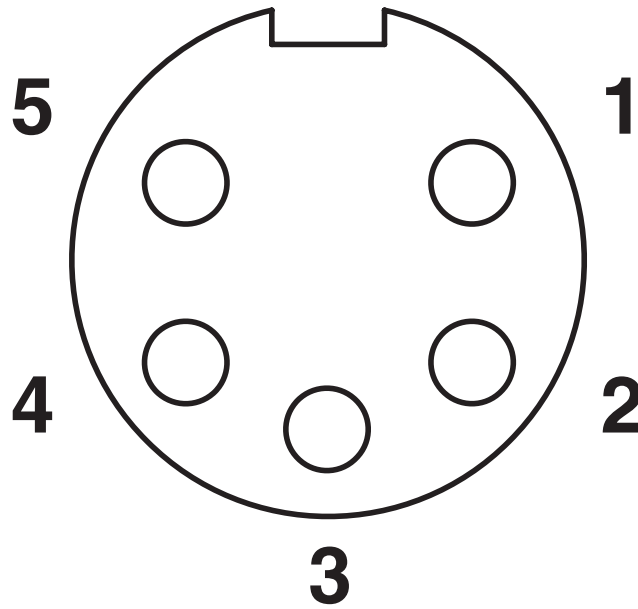


Socket 7/8"-16UNF, straight, Pg13

Dimensional drawing



Schematic diagram



Pin assignment, socket, 7/8"-16UNF, 5-pos., view of female side

## Environmental product compliance

### China RoHS

Environment friendly use period (EFUP)	EFUP-50
	An article-related China RoHS declaration table can be found in the download area for the respective article under "Manufacturer declaration". For all articles with EFUP-E, no China RoHS declaration table issued and required.

### EU REACH SVHC

REACH candidate substance (CAS No.)	No substance above 0.1 wt%
-------------------------------------	----------------------------

Phoenix Contact 2026 © - all rights reserved  
<https://www.phoenixcontact.com>

Phoenix Contact USA  
586 Fulling Mill Road  
Middletown, PA 17057, United States  
(+717) 944-1300  
[info@phoenixcon.com](mailto:info@phoenixcon.com)