

# VS-PPC-J-1220-1227-1020-0,2 - Y distributor



1404799

<https://www.phoenixcontact.com/us/products/1404799>

Please be informed that the data shown in this PDF document is generated from our online catalog. Please find the complete data in the user documentation. Our general terms of use for downloads are valid.

Y distributor, degree of protection: IP65, number of positions: 5, material: Metal, connection method: Coupling, color: black



Y distributor with MSTB plug

## Commercial data

Item number	1404799
Packing unit	1 pc
Minimum order quantity	1 pc
Sales key	AB17
Product key	ABNOIA
GTIN	4046356321488
Weight per piece (including packing)	418.4 g
Weight per piece (excluding packing)	350.576 g
Customs tariff number	85444290
Country of origin	DE

1404799

<https://www.phoenixcontact.com/us/products/1404799>

## Technical data

### Product properties

Product type	Network distributor box
Type	Version 14
Number of positions	5
Connection profile	Power
Number of slots	2
Shielded	no

### Electrical properties

Rated voltage (III/3)	24 V
Rated current	16 A
Transmission medium	Copper

### Connection data

#### Connection technology

Connection method	Coupling
-------------------	----------

### Signaling

Status display	no
Status display present	no

### Material specifications

Color	black
Flammability rating according to UL 94	V0
Housing material	Metal
Outer sheath, material	PVC
Conductor material	Bare Cu litz wires

### Connector

#### Connection 1

Type	Plug straight MSTB
Locking type	Push Pull

#### Connection 2

Type	Socket straight MSTB
Locking type	Push Pull

### Cable/line

#### PVC gray [PVC]

Shielded	no
Cable weight	242 kg/km

# VS-PPC-J-1220-1227-1020-0,2 - Y distributor



1404799

<https://www.phoenixcontact.com/us/products/1404799>

Cable type	PVC gray
Cable type (abbreviation)	PVC
External cable diameter	11.80 mm
Outer sheath, material	PVC
External sheath, color	gray RAL 7001
Conductor material	Bare Cu litz wires
Conductor structure, voltage supply	50x 0.25 mm
Conductor cross-section	5x 2.5 mm <sup>2</sup>
AWG power supply	14
Material wire insulation	PVC
Single wire, color	blue, brown, black, gray, green/yellow
Overall twist	5 cores, twisted
Nominal voltage, cable	750 V 1000 V (Fixed, protected installation)
Test voltage, cable	4000 V
Cable insulation resistance	> 0.2 MΩ*km
Minimum bending radius, fixed installation	4 x D
Minimum bending radius, flexible installation	15 x D
Flame resistance	according to IEC 60332-1-2
Ambient temperature (operation)	-5 °C ... 70 °C (Cable, flexible installation) -40 °C ... 80 °C (cable, fixed installation)

## Mechanical properties

### Mechanical data

Insertion/withdrawal cycles	≤ 100
-----------------------------	-------

## Environmental and real-life conditions

### Ambient conditions

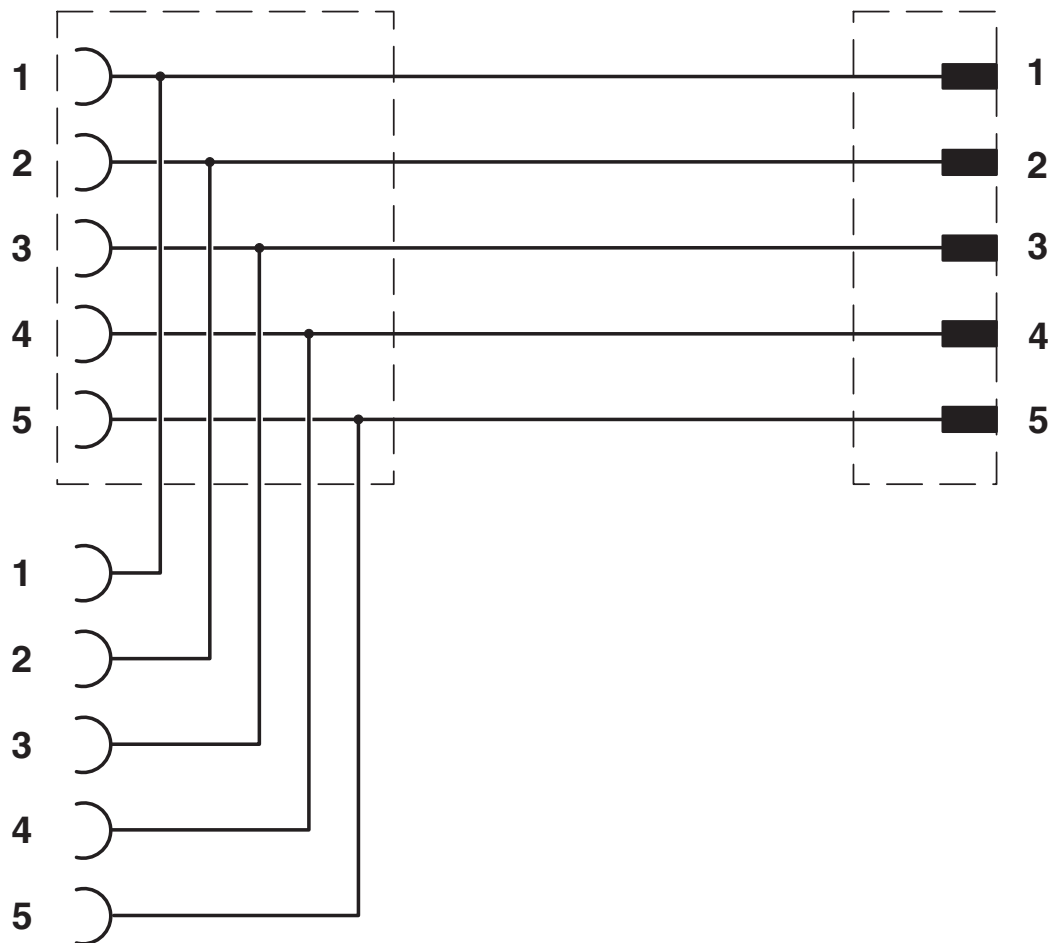
Degree of protection	IP65 IP67 IP65
Ambient temperature (operation)	-40 °C ... 70 °C (cable, fixed installation) -5 °C ... 70 °C (Cable, flexible installation) Plug / socket

## Mounting

Mounting type	Screw mounting
---------------	----------------

Drawings

Circuit diagram



1404799

<https://www.phoenixcontact.com/us/products/1404799>

## Classifications

### ECLASS

ECLASS-13.0	27440108
ECLASS-15.0	27440108

### ETIM

ETIM 10.0	EC002585
-----------	----------

### UNSPSC

UNSPSC 21.0	31251500
-------------	----------

1404799

<https://www.phoenixcontact.com/us/products/1404799>

## Environmental product compliance

### EU RoHS

Fulfills EU RoHS substance requirements	Yes, No exemptions
---	--------------------

### China RoHS

Environment friendly use period (EFUP)	EFUP-E
	No hazardous substances above the limits

### EU REACH SVHC

REACH candidate substance (CAS No.)	No substance above 0.1 wt%
-------------------------------------	----------------------------

Phoenix Contact 2026 © - all rights reserved  
<https://www.phoenixcontact.com>

Phoenix Contact USA  
586 Fulling Mill Road  
Middletown, PA 17057, United States  
(+717) 944-1300  
[info@phoenixcon.com](mailto:info@phoenixcon.com)