

# VS-PPC-F1-RJ45-POBK-1RF-BU/BU - Panel-mount frame



1404760

<https://www.phoenixcontact.com/us/products/1404760>

Please be informed that the data shown in this PDF document is generated from our online catalog. Please find the complete data in the user documentation. Our general terms of use for downloads are valid.



RJ45 panel mounting frame, IP67, for push-pull interlocking, for rectangular mounting section, with grommet, without fixing screws, plastic, with RJ45 contact insert, 8-pos., shielded, socket on socket, CAT5e, Freenet system

## Commercial data

Item number	1404760
Packing unit	1 pc
Minimum order quantity	1 pc
Sales key	AB17
Product key	ABNODB
GTIN	4046356320849
Weight per piece (including packing)	25.36 g
Weight per piece (excluding packing)	25.36 g
Customs tariff number	85366990
Country of origin	DE

# VS-PPC-F1-RJ45-POBK-1RF-BU/BU - Panel-mount frame



1404760

<https://www.phoenixcontact.com/us/products/1404760>

## Technical data

### Product properties

Product type	Panel-mount frame
Application	RJ45 PCB connection
Type	RJ45
Number of positions	8
Connection profile	RJ45
Shielded	yes

### Insulation characteristics

Overvoltage category	I
Degree of pollution	1

### Electrical properties

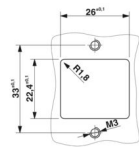
Rated voltage (III/3)	72 V (DC)
Rated surge voltage	$\geq 1$ kV
Rated current	1 A
Insulation resistance	$\geq 500$ M $\Omega$
Transmission medium	Copper
Transmission characteristics (category)	CAT5 (IEC 11801:2002)

### Connection data

#### Connection technology

Connection method	Spring-cage connection
-------------------	------------------------

### Dimensions

Dimensional drawing	
Width	29.5 mm
Height	42 mm
Length	63.2 mm

### Material specifications

Color	black
Material	Plastic
Flammability rating according to UL 94	V0
Seal material	NBR
Seal material, flat gasket	NBR
Housing material	Plastic

# VS-PPC-F1-RJ45-POBK-1RF-BU/BU - Panel-mount frame



1404760

<https://www.phoenixcontact.com/us/products/1404760>

Housing surface material	PA, light gray
Contact surface material	Au/Ni
Contact carrier material	Polyester GF

## Mechanical properties

### Mechanical data

Insertion/withdrawal cycles	≥ 500
-----------------------------	-------

## Environmental and real-life conditions

### Ambient conditions

Degree of protection	IP65/IP67
Ambient temperature (operation)	-20 °C ... 70 °C
Ambient temperature (storage/transport)	-40 °C ... 70 °C
Ambient temperature (assembly)	-10 °C ... 60 °C

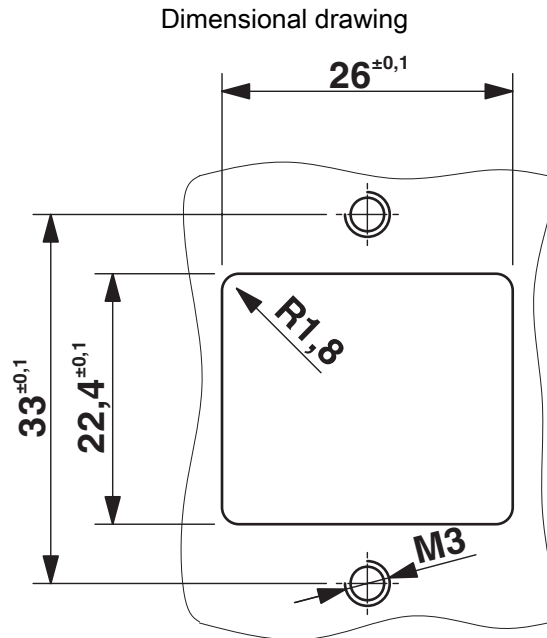
# VS-PPC-F1-RJ45-POBK-1RF-BU/BU - Panel-mount frame



1404760

<https://www.phoenixcontact.com/us/products/1404760>

## Drawings



Mounting cutout

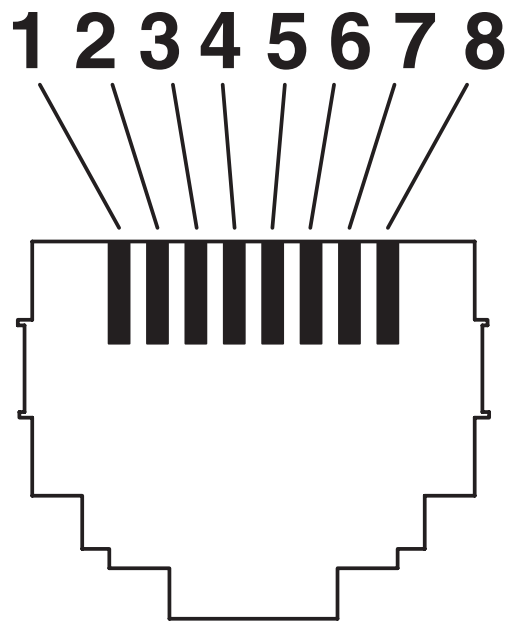
# VS-PPC-F1-RJ45-POBK-1RF-BU/BU - Panel-mount frame



1404760

<https://www.phoenixcontact.com/us/products/1404760>

Schematic diagram



Connector pin assignment

# VS-PPC-F1-RJ45-POBK-1RF-BU/BU - Panel-mount frame



1404760

<https://www.phoenixcontact.com/us/products/1404760>

## Classifications

### ECLASS

ECLASS-13.0	27440210
ECLASS-15.0	27440210

### ETIM

ETIM 10.0	EC002310
-----------	----------

### UNSPSC

UNSPSC 21.0	39121400
-------------	----------

# VS-PPC-F1-RJ45-POBK-1RF-BU/BU - Panel-mount frame



1404760

<https://www.phoenixcontact.com/us/products/1404760>

## Environmental product compliance

### EU RoHS

Fulfills EU RoHS substance requirements	Yes, No exemptions
---	--------------------

### China RoHS

Environment friendly use period (EFUP)	EFUP-E
	No hazardous substances above the limits

### EU REACH SVHC

REACH candidate substance (CAS No.)	No substance above 0.1 wt%
-------------------------------------	----------------------------

Phoenix Contact 2026 © - all rights reserved  
<https://www.phoenixcontact.com>

Phoenix Contact USA  
586 Fulling Mill Road  
Middletown, PA 17057, United States  
(+717) 944-1300  
[info@phoenixcon.com](mailto:info@phoenixcon.com)