

# VS-BH-M12FSX-10G-RJ45/90 - Control cabinet feed-through



1404548

<https://www.phoenixcontact.com/us/products/1404548>

Please be informed that the data shown in this PDF document is generated from our online catalog. Please find the complete data in the user documentation. Our general terms of use for downloads are valid.

Control cabinet feed-through, M12, 8-pos., X-coded to RJ45 socket, socket input 90°, IP65/67



## Your advantages

- Compact design

## Commercial data

Item number	1404548
Packing unit	1 pc
Minimum order quantity	1 pc
Sales key	AB18
Product key	ABNPBC
GTIN	4046356699419
Weight per piece (including packing)	36.6 g
Weight per piece (excluding packing)	36 g
Customs tariff number	85366990
Country of origin	DE

# VS-BH-M12FSX-10G-RJ45/90 - Control cabinet feed-through



1404548

<https://www.phoenixcontact.com/us/products/1404548>

## Technical data

### Product properties

Product type	Female insert
Type	M12
Sensor type	Ethernet
Number of positions	8
Connection profile	M12
Number of slots	1
Shielded	yes
Cable outlet	angled
Thread type	M12

### Insulation characteristics

Overvoltage category	III
Degree of pollution	2

### Electrical properties

Maximum load current	0.5 A
Rated voltage (III/3)	72 V (DC)
Rated surge voltage	0.8 kV
Rated current	1.75 A
Nominal voltage $U_N$	48 V
Nominal current $I_N$	0.5 A
Transmission medium	Copper
Transmission speed	10 Gbps
Transmission characteristics (category)	CAT6 <sub>A</sub>
Power transmission	PoE++

### Connection data

#### Connection technology

Connection method	Coupling
-------------------	----------

### Material specifications

Color	black
Flammability rating according to UL 94	V0
Housing material	Plastic
Material of grip body	PA
Contact material	Copper alloy

### Connector

#### Connection 1

Type	Socket M12
------	------------

# VS-BH-M12FSX-10G-RJ45/90 - Control cabinet feed-through



1404548

<https://www.phoenixcontact.com/us/products/1404548>

Locking type	Screw connection
Coding type	X
Shielded	yes
Insertion/withdrawal cycles	≥ 750 (RJ45)
Degree of protection	IP65/IP67

## Connection 2

Type	Socket RJ45
Degree of protection	IP20

## Mechanical properties

### Mechanical data

Insertion/withdrawal cycles	≥ 100
-----------------------------	-------

## Environmental and real-life conditions

### Ambient conditions

Degree of protection	IP65
	IP67
	IP65/IP67, when installed
Ambient temperature (operation) (male connector/female connector)	-25 °C ... 85 °C
Ambient temperature (storage/transport)	-25 °C ... 85 °C

## Mounting

Mounting type	Rear mounting
---------------	---------------

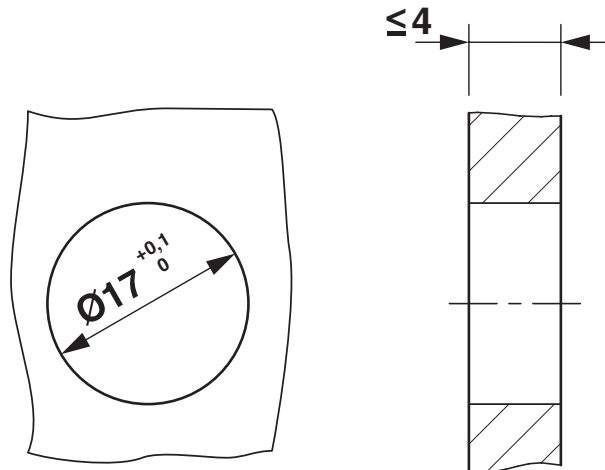
# VS-BH-M12FSX-10G-RJ45/90 - Control cabinet feed-through

1404548

<https://www.phoenixcontact.com/us/products/1404548>

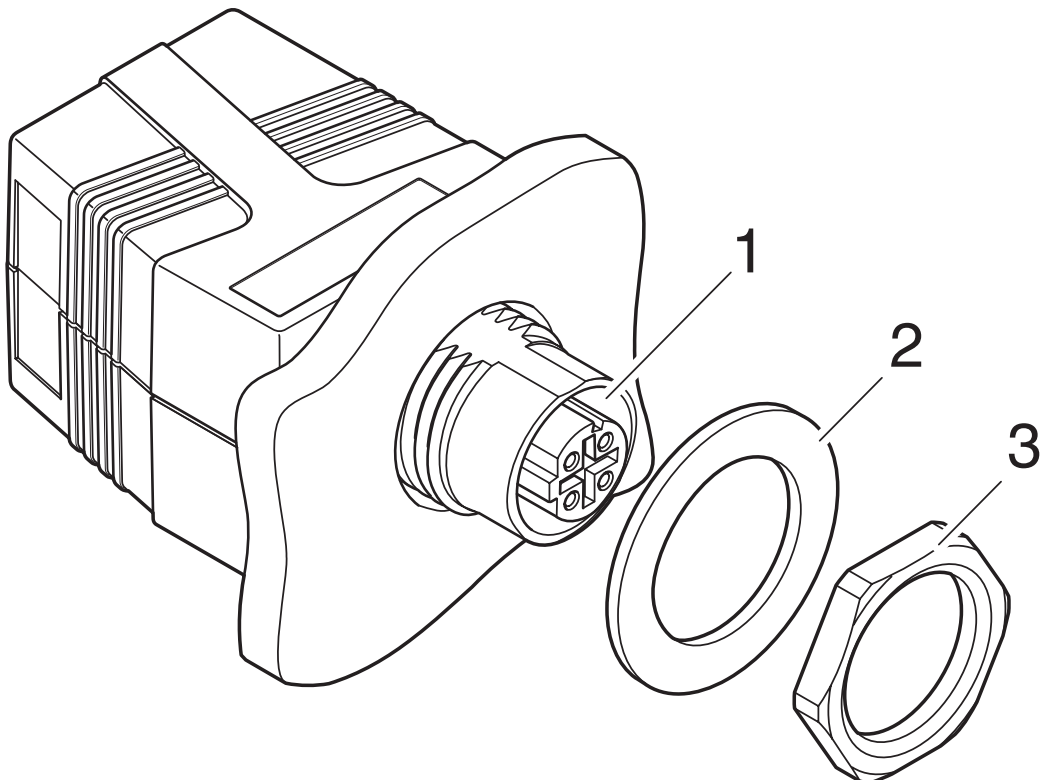
## Drawings

Dimensional drawing



## Mounting cutout

Exploded view

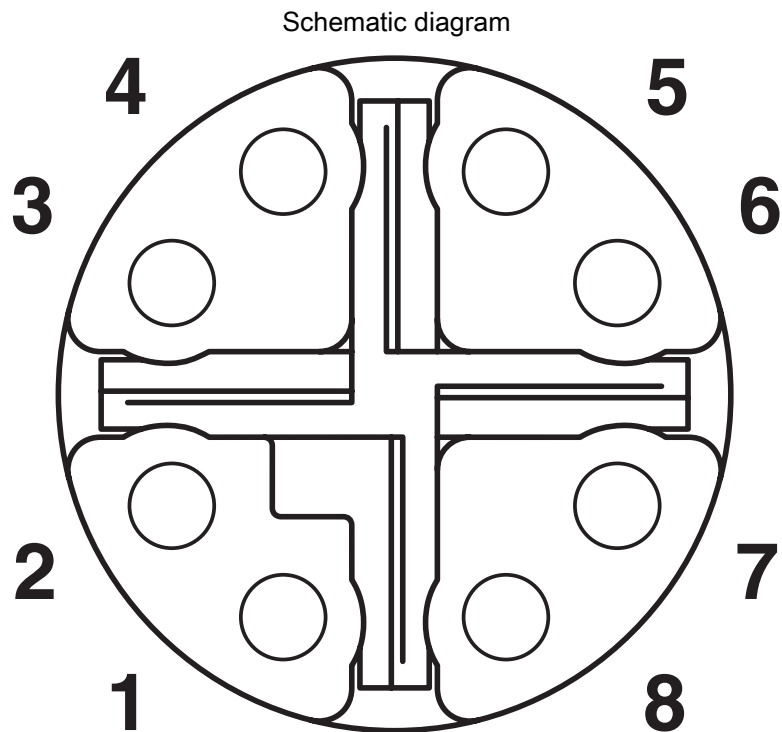


## Exploded drawing

# VS-BH-M12FSX-10G-RJ45/90 - Control cabinet feed-through

1404548

<https://www.phoenixcontact.com/us/products/1404548>



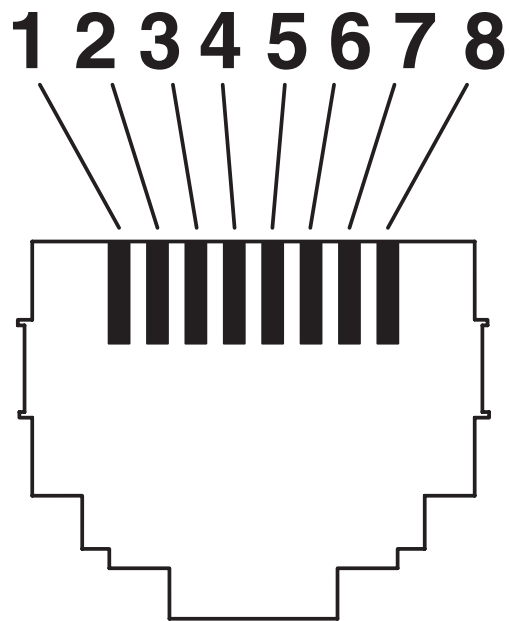
Pin assignment of M12 female, 8-pos., X-coded, view: female side

# VS-BH-M12FSX-10G-RJ45/90 - Control cabinet feed-through

1404548

<https://www.phoenixcontact.com/us/products/1404548>

Schematic diagram



RJ45 jack insert

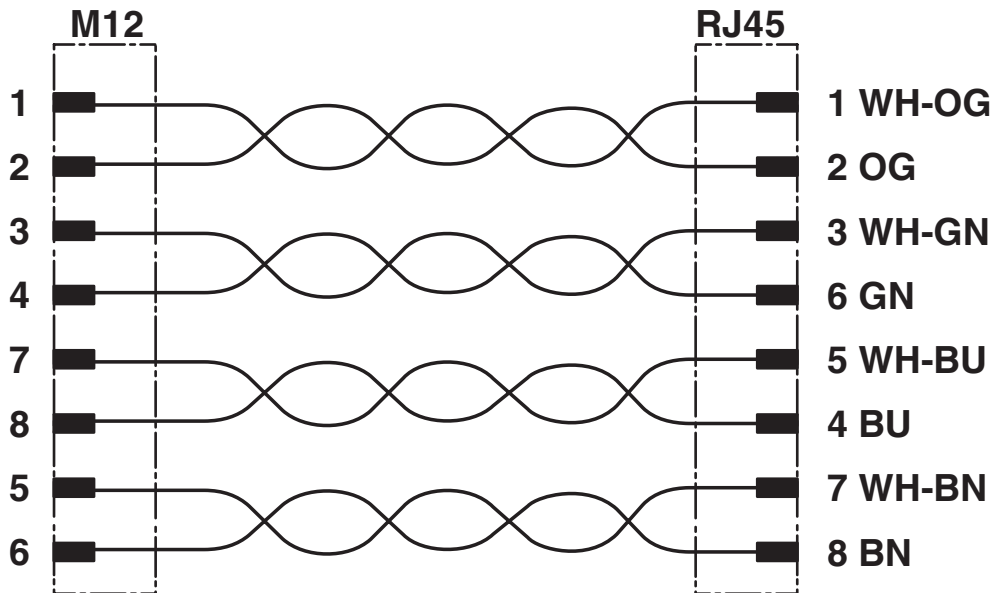
# VS-BH-M12FSX-10G-RJ45/90 - Control cabinet feed-through



1404548

<https://www.phoenixcontact.com/us/products/1404548>

Circuit diagram



Circuit diagram

# VS-BH-M12FSX-10G-RJ45/90 - Control cabinet feed-through





1404548

<https://www.phoenixcontact.com/us/products/1404548>

## Approvals

To download certificates, visit the product detail page: <https://www.phoenixcontact.com/us/products/1404548>

 <b>UL Listed</b> Approval ID: E335024-20140306				
	Nominal voltage $U_N$	Nominal current $I_N$	Cross section AWG	Cross section $\text{mm}^2$
keine				
	60 V	0.5 A	-	-

 <b>cUL Listed</b> Approval ID: E335024-20140306				
	Nominal voltage $U_N$	Nominal current $I_N$	Cross section AWG	Cross section $\text{mm}^2$
keine				
	60 V	0.5 A	-	-

# VS-BH-M12FSX-10G-RJ45/90 - Control cabinet feed-through



1404548

<https://www.phoenixcontact.com/us/products/1404548>

## Classifications

### ECLASS

ECLASS-13.0	27440390
ECLASS-15.0	27440325

### ETIM

ETIM 10.0	EC004746
-----------	----------

### UNSPSC

UNSPSC 21.0	39121400
-------------	----------

# VS-BH-M12FSX-10G-RJ45/90 - Control cabinet feed-through



1404548

<https://www.phoenixcontact.com/us/products/1404548>

## Environmental product compliance

### EU RoHS

Fulfills EU RoHS substance requirements	Yes
Exemption	6(c)

### China RoHS

Environment friendly use period (EFUP)	EFUP-50
	An article-related China RoHS declaration table can be found in the download area for the respective article under "Manufacturer declaration". For all articles with EFUP-E, no China RoHS declaration table issued and required.

### EU REACH SVHC

REACH candidate substance (CAS No.)	Lead(CAS: 7439-92-1)
SCIP	e1e777eb-7d7c-4af0-ad28-ca0cab3d8a5f

Phoenix Contact 2026 © - all rights reserved

<https://www.phoenixcontact.com>

Phoenix Contact USA  
586 Fulling Mill Road  
Middletown, PA 17057, United States  
(+717) 944-1300  
[info@phoenixcon.com](mailto:info@phoenixcon.com)