

# ALU-SB - Shielding foil

1404531

<https://www.phoenixcontact.com/us/products/1404531>

Please be informed that the data shown in this PDF document is generated from our online catalog. Please find the complete data in the user documentation. Our general terms of use for downloads are valid.

Shielding foil, for fixing the braided shield of shielded cables. Length: 4 cm, width: 1.2 cm



## Commercial data

Item number	1404531
Packing unit	100 pc
Minimum order quantity	100 pc
Sales key	BF50
Product key	AF6ZWX
GTIN	4046356698733
Weight per piece (including packing)	0.251 g
Weight per piece (excluding packing)	0.218 g
Customs tariff number	74102100
Country of origin	DE

# ALU-SB - Shielding foil

1404531

<https://www.phoenixcontact.com/us/products/1404531>

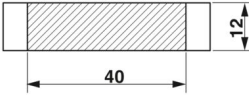


## Technical data

### Product properties

Product type	Shield connection
--------------	-------------------

### Dimensions

Dimensional drawing	
Width	12 mm
Length	40 mm

### Material specifications

Material	Copper, tin-plated
----------	--------------------

# ALU-SB - Shielding foil

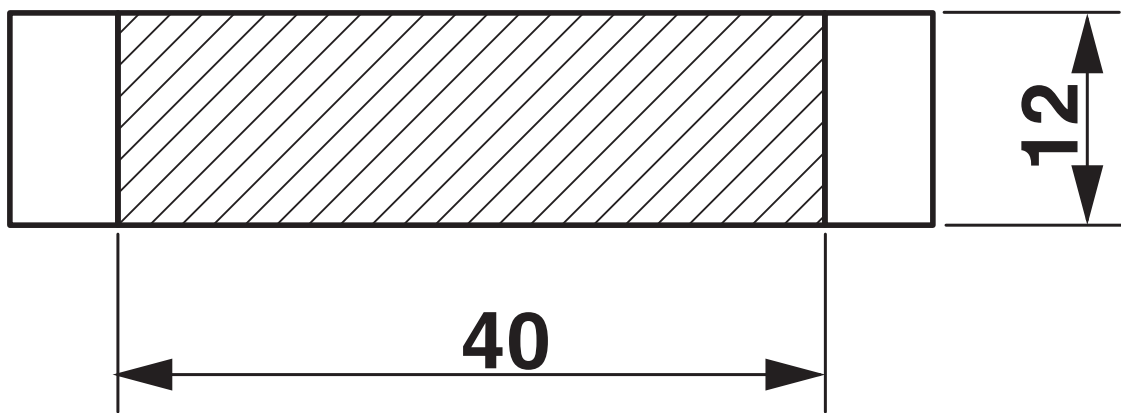
1404531

<https://www.phoenixcontact.com/us/products/1404531>



## Drawings

### Dimensional drawing



# ALU-SB - Shielding foil



1404531

<https://www.phoenixcontact.com/us/products/1404531>

## Classifications

### ECLASS

ECLASS-13.0	27440192
ECLASS-15.0	27440192

### ETIM

ETIM 10.0	EC002943
-----------	----------

### UNSPSC

UNSPSC 21.0	39121400
-------------	----------

# ALU-SB - Shielding foil



1404531

<https://www.phoenixcontact.com/us/products/1404531>

## Environmental product compliance

### EU RoHS

Fulfills EU RoHS substance requirements	Yes, No exemptions
---	--------------------

### China RoHS

Environment friendly use period (EFUP)	EFUP-E
	No hazardous substances above the limits

### EU REACH SVHC

REACH candidate substance (CAS No.)	No substance above 0.1 wt%
-------------------------------------	----------------------------

### EF3.1 Climate Change

CO2e kg	0.007 kg CO2e
---------	---------------

Phoenix Contact 2026 © - all rights reserved  
<https://www.phoenixcontact.com>

Phoenix Contact USA  
586 Fulling Mill Road  
Middletown, PA 17057, United States  
(+717) 944-1300  
[info@phoenixcon.com](mailto:info@phoenixcon.com)