

QPD QSK BK 5X2,5 FS - Protective cap



1404525

<https://www.phoenixcontact.com/us/products/1404525>

Please be informed that the data shown in this PDF document is generated from our online catalog. Please find the complete data in the user documentation. Our general terms of use for downloads are valid.

Protective cap, plastic, for QUICKON connection, black, with retaining cord, IP68



Commercial data

Item number	1404525
Packing unit	1 pc
Minimum order quantity	1 pc
Sales key	BF50
Product key	AF6ZWX
GTIN	4046356698689
Weight per piece (including packing)	18.3 g
Weight per piece (excluding packing)	15.92 g
Customs tariff number	39269097
Country of origin	DE

QPD QSK BK 5X2,5 FS - Protective cap

1404525

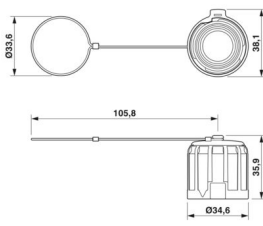
<https://www.phoenixcontact.com/us/products/1404525>

Technical data

Product properties

Product type	Protective cap
Product family	QPD
Type	QPD
Retaining cord present	yes
Seal present	yes

Dimensions

Dimensional drawing	
Width	34.6 mm
Height	36 mm
Length	34.6 mm
Diameter	33.6 mm (Retaining cord eyelet)

Material specifications

Color	black (RAL 9005)
Material Protective cap	PBT
Flammability rating according to UL 94	V0

Environmental and real-life conditions

Ambient conditions

Degree of protection	IP66
	IP68 (2 m / 24 h)
	IP69K
Ambient temperature (operation)	-40 °C ... 100 °C
Ambient temperature (storage/transport)	-40 °C ... 100 °C

QPD QSK BK 5X2,5 FS - Protective cap

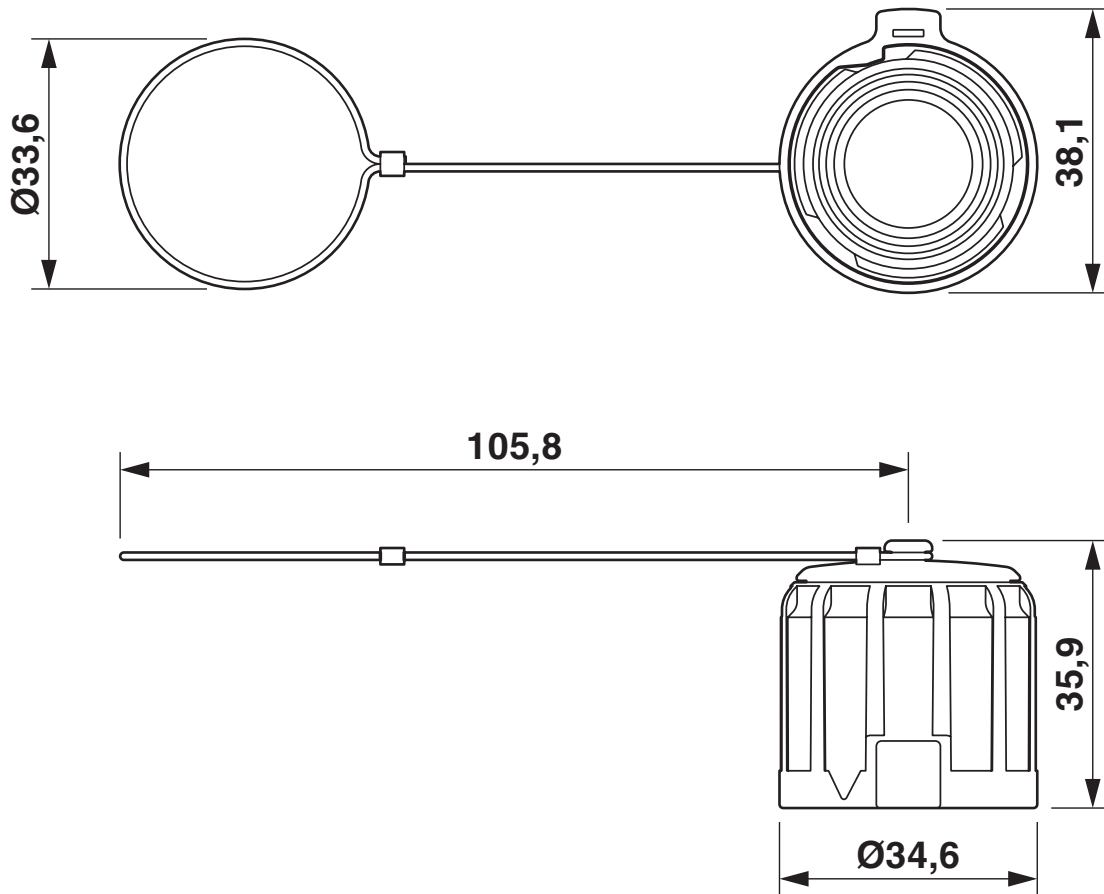


1404525

<https://www.phoenixcontact.com/us/products/1404525>

Drawings

Dimensional drawing



QPD QSK BK 5X2,5 FS - Protective cap

1404525

<https://www.phoenixcontact.com/us/products/1404525>



Approvals

To download certificates, visit the product detail page: <https://www.phoenixcontact.com/us/products/1404525>



DNV GL

Approval ID: TAE00003J5

QPD QSK BK 5X2,5 FS - Protective cap



1404525

<https://www.phoenixcontact.com/us/products/1404525>

Classifications

ECLASS

ECLASS-13.0	27440208
ECLASS-15.0	27440208

ETIM

ETIM 10.0	EC002314
-----------	----------

UNSPSC

UNSPSC 21.0	39121400
-------------	----------

QPD QSK BK 5X2,5 FS - Protective cap



1404525

<https://www.phoenixcontact.com/us/products/1404525>

Environmental product compliance

EU RoHS

Fulfills EU RoHS substance requirements	Yes, No exemptions
---	--------------------

China RoHS

Environment friendly use period (EFUP)	EFUP-E
	No hazardous substances above the limits

EU REACH SVHC

REACH candidate substance (CAS No.)	6,6'-di-tert-butyl-2,2'-methylenedi-p-cresol(CAS: 119-47-1)
SCIP	df879a2d-ec26-4723-9808-4774af36e8cb

Phoenix Contact 2026 © - all rights reserved

<https://www.phoenixcontact.com>

Phoenix Contact USA

586 Fulling Mill Road

Middletown, PA 17057, United States

(+717) 944-1300

info@phoenixcon.com