

SI-FP-R1A-U1A/0,7 - Data front plate



1404512

<https://www.phoenixcontact.com/us/products/1404512>

Please be informed that the data shown in this PDF document is generated from our online catalog. Please find the complete data in the user documentation. Our general terms of use for downloads are valid.

Data front plate with contact inserts, plastic with shielding plate, 1 x USB (socket/socket/0.7 m cable) type A; 1 x RJ45, 8-pos. metal, CAT5e (socket/socket)



Commercial data

Item number	1404512
Packing unit	1 pc
Minimum order quantity	1 pc
Sales key	BF70
Product key	AF7EDX
GTIN	4046356698528
Weight per piece (including packing)	76 g
Weight per piece (excluding packing)	76.4 g
Customs tariff number	85366990
Country of origin	DE

SI-FP-R1A-U1A/0,7 - Data front plate



1404512

<https://www.phoenixcontact.com/us/products/1404512>

Technical data

Product properties

Product type	Data front plate
Number of slots	2

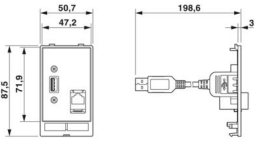
Electrical properties

Rated current	1 A (USB A)
	max. 175 mA (RJ45, D-SUB 9, UL rating)
Transmission speed	100 Mbps (RJ45)

Connection data

Tightening torque	0.8 ... 1 Nm
-------------------	--------------

Dimensions

Dimensional drawing	
Width	29.7 mm
Height	29.7 mm
Depth	20 mm

Material specifications

Material Data front plate	PBT (Data front plate)
---------------------------	------------------------

Connector

Contact insert design	with 1x RJ45 Socket/socket, snap-in slot locking
	with 1x USB A 2.0 Socket/socket with 0.7 m cable, snap-in slot locking

Environmental and real-life conditions

Ambient conditions

Degree of protection	IP20
Ambient temperature (operation)	-10 °C ... 60 °C

Mounting

Assembly note	suitable for all mounting frames
---------------	----------------------------------

SI-FP-R1A-U1A/0,7 - Data front plate

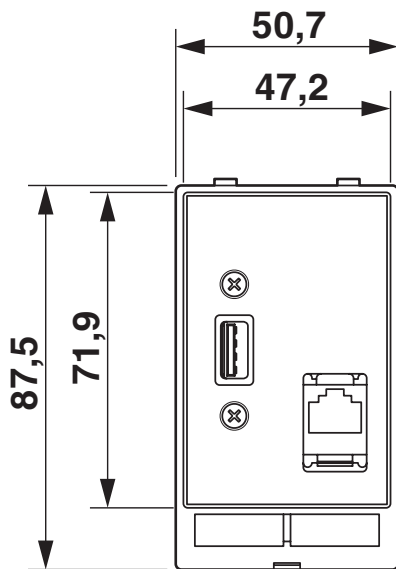


1404512

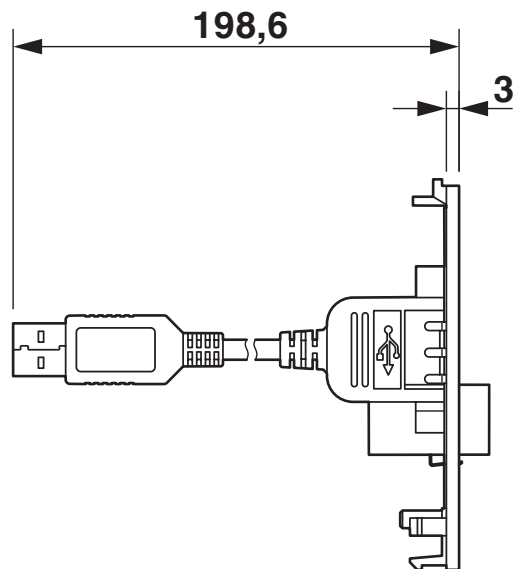
<https://www.phoenixcontact.com/us/products/1404512>

Drawings

Dimensional drawing



Dimensional drawing



SI-FP-R1A-U1A/0,7 - Data front plate



1404512

<https://www.phoenixcontact.com/us/products/1404512>

Approvals

To download certificates, visit the product detail page: <https://www.phoenixcontact.com/us/products/1404512>



EAC

Approval ID: RU C-DE.A*30.B.01102

SI-FP-R1A-U1A/0,7 - Data front plate



1404512

<https://www.phoenixcontact.com/us/products/1404512>

Classifications

ECLASS

ECLASS-13.0	27182806
ECLASS-15.0	27182806

ETIM

ETIM 10.0	EC000456
-----------	----------

UNSPSC

UNSPSC 21.0	39121300
-------------	----------

SI-FP-R1A-U1A/0,7 - Data front plate



1404512

<https://www.phoenixcontact.com/us/products/1404512>

Environmental product compliance

EU RoHS

Fulfills EU RoHS substance requirements	Yes, No exemptions
---	--------------------

China RoHS

Environment friendly use period (EFUP)	EFUP-E
	No hazardous substances above the limits

EU REACH SVHC

REACH candidate substance (CAS No.)	No substance above 0.1 wt%
-------------------------------------	----------------------------

EF3.1 Climate Change

CO2e kg	8.092 kg CO2e
---------	---------------

Phoenix Contact 2026 © - all rights reserved
<https://www.phoenixcontact.com>

Phoenix Contact USA
586 Fulling Mill Road
Middletown, PA 17057, United States
(+717) 944-1300
info@phoenixcon.com