

# SI-FP-R1A-D1A-D1C - Data front plate



1404507

<https://www.phoenixcontact.com/us/products/1404507>

Please be informed that the data shown in this PDF document is generated from our online catalog. Please find the complete data in the user documentation. Our general terms of use for downloads are valid.

Data front plate with contact inserts, plastic, 1x RJ45, 8-position, metal, CAT5e (female/female), 1x D-SUB 9 (female/female), 1x D-SUB 9 (pin/pin)



## Commercial data

Item number	1404507
Packing unit	1 pc
Note	Made to order (non-returnable)
Sales key	BF70
Product key	AF7EDX
GTIN	4046356698498
Weight per piece (including packing)	47.5 g
Weight per piece (excluding packing)	47.5 g
Customs tariff number	85366990
Country of origin	CZ

# SI-FP-R1A-D1A-D1C - Data front plate



1404507

<https://www.phoenixcontact.com/us/products/1404507>

## Technical data

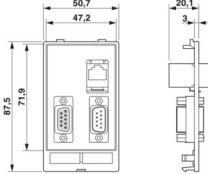
### Product properties

Product type	Data front plate
--------------	------------------

### Electrical properties

Rated voltage (III/3)	max. 30 V AC (RJ45, D-SUB 9, UL rating)
	48 V AC/DC (D-SUB)
	max. 42.4 V DC (RJ45, D-SUB 9, UL rating)
Rated current	max. 175 mA (RJ45, D-SUB 9, UL rating)
	3 A (D-SUB 9)
Transmission speed	100 Mbps (RJ45)

### Dimensions

Dimensional drawing	
Width	50.7 mm
Height	87.5 mm
Depth	21 mm

### Material specifications

Material Data front plate	PBT (Data front plate)
---------------------------	------------------------

### Connector

Contact insert design	with 1x RJ45 Socket/socket, snap-in slot locking
	with 1x D-SUB 9 Pin/pin, slot locking UNC 4...40 bolts
	with 1x D-SUB 9 Socket/socket, slot locking UNC 4...40 bolts

### Environmental and real-life conditions

#### Ambient conditions

Degree of protection	IP20
Ambient temperature (operation)	-10 °C ... 60 °C

### Mounting

Assembly note	suitable for all mounting frames
---------------	----------------------------------

# SI-FP-R1A-D1A-D1C - Data front plate

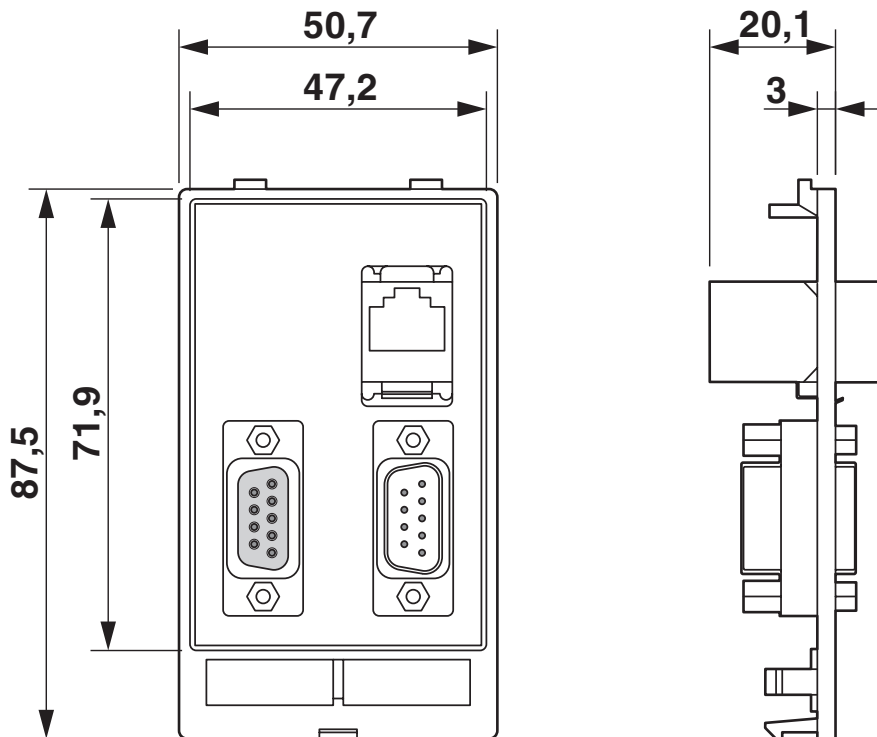


1404507

<https://www.phoenixcontact.com/us/products/1404507>

## Drawings

Dimensional drawing



Dimensional drawing

# SI-FP-R1A-D1A-D1C - Data front plate



1404507

<https://www.phoenixcontact.com/us/products/1404507>

## Classifications

### ECLASS

ECLASS-13.0	27182806
ECLASS-15.0	27182806

### UNSPSC

UNSPSC 21.0	39121302
-------------	----------

Phoenix Contact 2026 © - all rights reserved

<https://www.phoenixcontact.com>

Phoenix Contact USA  
586 Fulling Mill Road  
Middletown, PA 17057, United States  
(+717) 944-1300  
[info@phoenixcon.com](mailto:info@phoenixcon.com)