

SI-FP-R1A-D1B-U1A/0,7 - Data front plate



1404504

<https://www.phoenixcontact.com/us/products/1404504>

Please be informed that the data shown in this PDF document is generated from our online catalog. Please find the complete data in the user documentation. Our general terms of use for downloads are valid.

Data front plate with contact inserts, plastic with shielding plate, 1 x USB (socket/socket/0.7 m cable) type A; 1 x 9-pos. D-SUB (socket/pin); 1 x RJ45, 8-pos. metal, CAT5e (socket/socket)



Commercial data

Item number	1404504
Packing unit	1 pc
Minimum order quantity	1 pc
Sales key	BF70
Product key	AF7EDX
GTIN	4046356698467
Weight per piece (including packing)	85.6 g
Weight per piece (excluding packing)	85.6 g
Customs tariff number	85366990
Country of origin	DE

SI-FP-R1A-D1B-U1A/0,7 - Data front plate



1404504

<https://www.phoenixcontact.com/us/products/1404504>

Technical data

Product properties

Product type	Data front plate
Number of slots	3
Shielded	yes

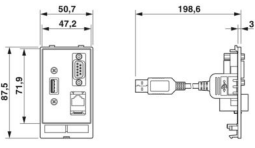
Electrical properties

Rated voltage (III/3)	max. 48 V AC/DC (D-SUB 9, USB A)
	max. 30 V AC (D-SUB 9, USB A, RJ45, UL rating)
	max. 42.4 V DC (D-SUB 9, USB A, RJ45, UL rating)
Rated current	3 A (D-SUB 9)
	1 A (USB A)
	max. 175 mA (RJ45, D-SUB 9, UL rating)
Transmission speed	max. 480 Mbps (USB-A:2.0)

Connection data

Tightening torque	0.8 ... 1 Nm
-------------------	--------------

Dimensions

Dimensional drawing	
Width	50.7 mm
Height	87.5 mm
Depth	45 mm

Material specifications

Material Data front plate	PBT (Data front plate)
---------------------------	------------------------

Connector

Contact insert design	with 1x D-SUB 9 Socket/pin, slot locking UNC 4...40 bolts
	with 1x RJ45 Socket/socket, snap-in slot locking
	with 1x USB A 2.0 Socket/socket with 0.7 m cable, snap-in slot locking

Environmental and real-life conditions

Ambient conditions	
Degree of protection	IP20
Ambient temperature (operation)	-10 °C ... 60 °C

Mounting

SI-FP-R1A-D1B-U1A/0,7 - Data front plate



1404504

<https://www.phoenixcontact.com/us/products/1404504>

Assembly note

suitable for all mounting frames

SI-FP-R1A-D1B-U1A/0,7 - Data front plate

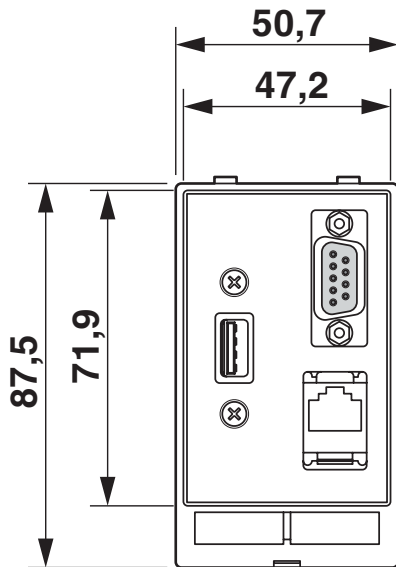


1404504

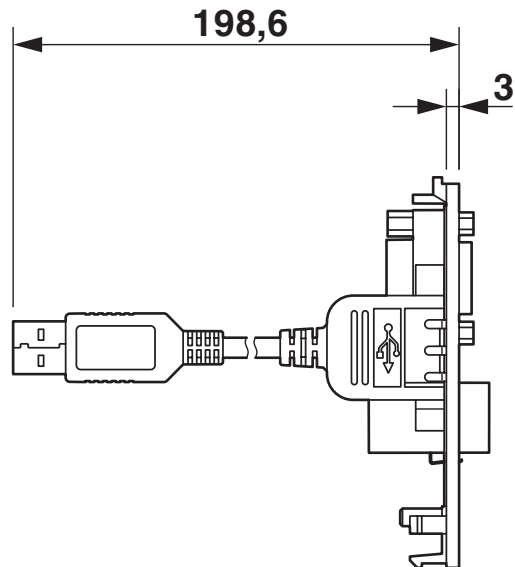
<https://www.phoenixcontact.com/us/products/1404504>

Drawings

Dimensional drawing



Dimensional drawing



SI-FP-R1A-D1B-U1A/0,7 - Data front plate



1404504

<https://www.phoenixcontact.com/us/products/1404504>

Approvals

To download certificates, visit the product detail page: <https://www.phoenixcontact.com/us/products/1404504>



EAC

Approval ID: RU C-DE.A*30.B.01102

SI-FP-R1A-D1B-U1A/0,7 - Data front plate



1404504

<https://www.phoenixcontact.com/us/products/1404504>

Classifications

ECLASS

ECLASS-13.0	27182806
ECLASS-15.0	27182806

ETIM

ETIM 10.0	EC000456
-----------	----------

UNSPSC

UNSPSC 21.0	39121300
-------------	----------

1404504

<https://www.phoenixcontact.com/us/products/1404504>

Environmental product compliance

EU RoHS

Fulfills EU RoHS substance requirements	Yes
Exemption	6(c)

China RoHS

Environment friendly use period (EFUP)	EFUP-50
	An article-related China RoHS declaration table can be found in the download area for the respective article under "Manufacturer declaration". For all articles with EFUP-E, no China RoHS declaration table issued and required.

EU REACH SVHC

REACH candidate substance (CAS No.)	Lead(CAS: 7439-92-1)
SCIP	abc72545-8fb6-42fc-9975-92273ef2ec8c

EF3.1 Climate Change

CO2e kg	9.093 kg CO2e
---------	---------------

Phoenix Contact 2026 © - all rights reserved
<https://www.phoenixcontact.com>

Phoenix Contact USA
586 Fulling Mill Road
Middletown, PA 17057, United States
(+717) 944-1300
info@phoenixcon.com