

SI-FP-D1A - Front plate

1404501

<https://www.phoenixcontact.com/us/products/1404501>

Please be informed that the data shown in this PDF document is generated from our online catalog. Please find the complete data in the user documentation. Our general terms of use for downloads are valid.

Front plate with contact inserts, plastic, 1x D-SUB 9 (socket/socket)



Commercial data

| | |
|--------------------------------------|---------------|
| Item number | 1404501 |
| Packing unit | 1 pc |
| Minimum order quantity | 1 pc |
| Sales key | BF70 |
| Product key | AF7EDX |
| GTIN | 4046356698436 |
| Weight per piece (including packing) | 29.643 g |
| Weight per piece (excluding packing) | 10 g |
| Customs tariff number | 85366990 |
| Country of origin | DE |

SI-FP-D1A - Front plate

1404501

<https://www.phoenixcontact.com/us/products/1404501>

Technical data

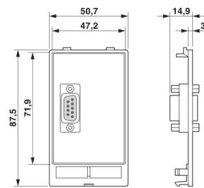
Product properties

| | |
|---------------------|------------------|
| Product type | Data front plate |
| Number of positions | 9 |
| Number of slots | 1 |

Electrical properties

| | |
|-----------------------|-------------------------------------|
| Rated voltage (III/3) | 48 V AC/DC (D-SUB 9) |
| | max. 42.4 V DC (D-SUB 9, UL rating) |
| | max. 30 V AC (D-SUB 9, UL rating) |
| Rated current | 3 A (D-SUB 9) |
| | max. 175 mA (D-SUB 9, UL rating) |

Dimensions

| | |
|---------------------|--|
| Dimensional drawing |  |
| Width | 50.7 mm |
| Height | 87.5 mm |
| Depth | 15 mm |

Material specifications

| | |
|----------------------|-------------------|
| Material Front plate | PBT (Front plate) |
|----------------------|-------------------|

Connector

| | |
|-----------------------|--|
| Contact insert design | with 1x D-SUB 9 Socket/socket, slot locking UNC 4...40 bolts |
|-----------------------|--|

Environmental and real-life conditions

Ambient conditions

| | |
|---------------------------------|------------------|
| Degree of protection | IP20 |
| Ambient temperature (operation) | -10 °C ... 60 °C |

Mounting

| | |
|---------------|----------------------------------|
| Assembly note | suitable for all mounting frames |
|---------------|----------------------------------|

SI-FP-D1A - Front plate

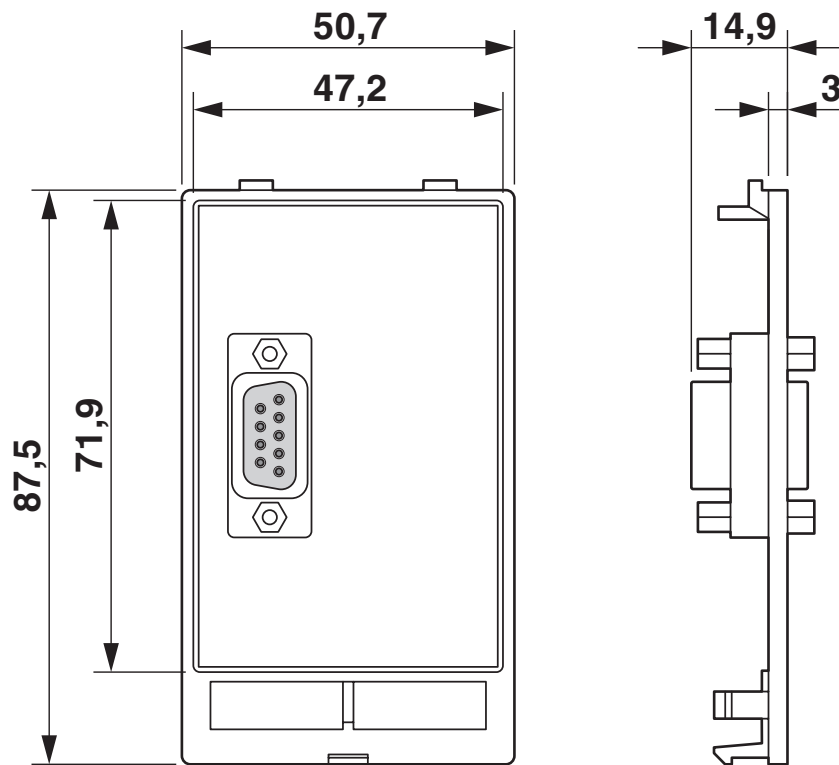
1404501

<https://www.phoenixcontact.com/us/products/1404501>



Drawings

Dimensional drawing



Dimensional drawing

SI-FP-D1A - Front plate



1404501

<https://www.phoenixcontact.com/us/products/1404501>

Approvals

To download certificates, visit the product detail page: <https://www.phoenixcontact.com/us/products/1404501>



cUL Recognized
Approval ID: E238705



UL Recognized
Approval ID: E238705



EAC
Approval ID: RU C-DE.A*30.B.01102

SI-FP-D1A - Front plate



1404501

<https://www.phoenixcontact.com/us/products/1404501>

Classifications

ECLASS

| | |
|-------------|----------|
| ECLASS-13.0 | 27182806 |
| ECLASS-15.0 | 27182806 |

ETIM

| | |
|-----------|----------|
| ETIM 10.0 | EC000456 |
|-----------|----------|

UNSPSC

| | |
|-------------|----------|
| UNSPSC 21.0 | 39121300 |
|-------------|----------|

SI-FP-D1A - Front plate



1404501

<https://www.phoenixcontact.com/us/products/1404501>

Environmental product compliance

EU RoHS

| | |
|---|------|
| Fulfills EU RoHS substance requirements | Yes |
| Exemption | 6(c) |

China RoHS

| | |
|--|---|
| Environment friendly use period (EFUP) | EFUP-50 |
| | An article-related China RoHS declaration table can be found in the download area for the respective article under "Manufacturer declaration". For all articles with EFUP-E, no China RoHS declaration table issued and required. |

EU REACH SVHC

| | |
|-------------------------------------|--------------------------------------|
| REACH candidate substance (CAS No.) | Lead(CAS: 7439-92-1) |
| SCIP | b970e684-cb62-46c8-9590-3b9046e57011 |

Phoenix Contact 2026 © - all rights reserved

<https://www.phoenixcontact.com>

Phoenix Contact USA
586 Fulling Mill Road
Middletown, PA 17057, United States
(+717) 944-1300
info@phoenixcon.com