

SI-FP-R1A-D1E - Data front plate



1404500

<https://www.phoenixcontact.com/us/products/1404500>

Please be informed that the data shown in this PDF document is generated from our online catalog. Please find the complete data in the user documentation. Our general terms of use for downloads are valid.



Data front plate with contact inserts, plastic, 1 x RJ45, 8-pos. metal, CAT5e (socket/socket), 1 x D-SUB 9 blind cover

Commercial data

Item number	1404500
Packing unit	1 pc
Minimum order quantity	1 pc
Sales key	BF70
Product key	AF7EDX
GTIN	4046356698429
Weight per piece (including packing)	32.9 g
Weight per piece (excluding packing)	22.22 g
Customs tariff number	85366990
Country of origin	DE

SI-FP-R1A-D1E - Data front plate

1404500

<https://www.phoenixcontact.com/us/products/1404500>

Technical data

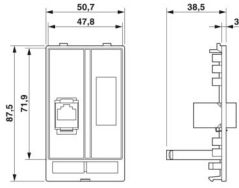
Product properties

Product type	Data front plate
Number of positions	8
Number of slots	2

Electrical properties

Rated voltage (III/3)	max. 42.4 V DC (RJ45, UL rating)
	max. 30 V AC (RJ45, UL rating)
Rated current	max. 175 mA (RJ45, UL rating)
Transmission speed	100 Mbps (RJ45)

Dimensions

Dimensional drawing	
Width	50.7 mm
Height	87.5 mm
Depth	40 mm

Material specifications

Material Data front plate	PBT (Data front plate)
---------------------------	------------------------

Connector

Contact insert design	with 1x RJ45 Socket/socket, snap-in slot locking
	with 1x D-SUB 9

Environmental and real-life conditions

Ambient conditions

Degree of protection	IP20
Ambient temperature (operation)	-10 °C ... 60 °C

Mounting

Assembly note	suitable for all mounting frames
---------------	----------------------------------

SI-FP-R1A-D1E - Data front plate

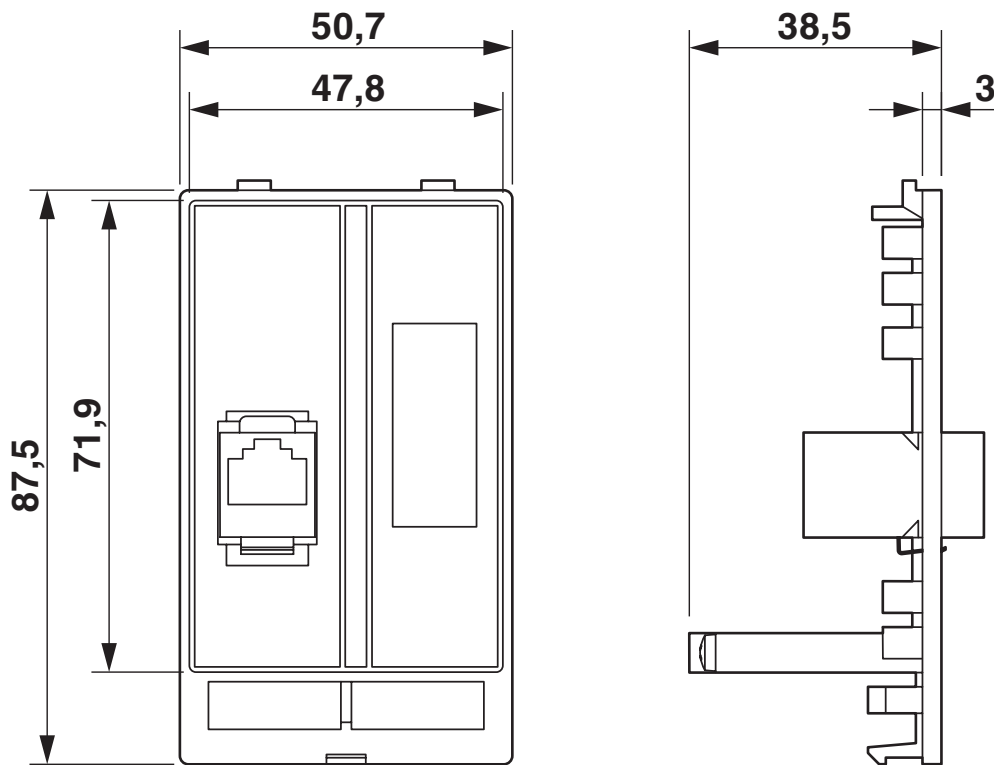


1404500

<https://www.phoenixcontact.com/us/products/1404500>

Drawings

Dimensional drawing



Dimensional drawing

SI-FP-R1A-D1E - Data front plate



1404500

<https://www.phoenixcontact.com/us/products/1404500>

Approvals

To download certificates, visit the product detail page: <https://www.phoenixcontact.com/us/products/1404500>



cUL Recognized
Approval ID: E238705



UL Recognized
Approval ID: E238705



EAC
Approval ID: RU C-DE.A*30.B.01102

SI-FP-R1A-D1E - Data front plate



1404500

<https://www.phoenixcontact.com/us/products/1404500>

Classifications

ECLASS

ECLASS-13.0	27182806
ECLASS-15.0	27182806

ETIM

ETIM 10.0	EC000456
-----------	----------

UNSPSC

UNSPSC 21.0	39121300
-------------	----------

SI-FP-R1A-D1E - Data front plate



1404500

<https://www.phoenixcontact.com/us/products/1404500>

Environmental product compliance

EU RoHS

Fulfills EU RoHS substance requirements	Yes, No exemptions
---	--------------------

China RoHS

Environment friendly use period (EFUP)	EFUP-E
	No hazardous substances above the limits

EU REACH SVHC

REACH candidate substance (CAS No.)	No substance above 0.1 wt%
-------------------------------------	----------------------------

EF3.1 Climate Change

CO2e kg	3.266 kg CO2e
---------	---------------

Phoenix Contact 2026 © - all rights reserved
<https://www.phoenixcontact.com>

Phoenix Contact USA
586 Fulling Mill Road
Middletown, PA 17057, United States
(+717) 944-1300
info@phoenixcon.com