

# SI-FP-R1A-U1A - Data front plate



1404499

<https://www.phoenixcontact.com/us/products/1404499>

Please be informed that the data shown in this PDF document is generated from our online catalog. Please find the complete data in the user documentation. Our general terms of use for downloads are valid.



Data front plate with contact inserts, plastic with shielding plate, 1 x USB (socket/socket) type A;  
1 x RJ45, 8-pos. metal, CAT5e (socket/socket)

## Commercial data

Item number	1404499
Packing unit	1 pc
Minimum order quantity	1 pc
Sales key	BF70
Product key	AF7EDX
GTIN	4046356698412
Weight per piece (including packing)	66.7 g
Weight per piece (excluding packing)	53.1 g
Customs tariff number	85366990
Country of origin	CZ

# SI-FP-R1A-U1A - Data front plate

1404499

<https://www.phoenixcontact.com/us/products/1404499>

## Technical data

### Notes

Assembly note	Strain relief USB internal: cable tie
---------------	---------------------------------------

### Product properties

Product type	Data front plate
Number of slots	2
Shielded	yes

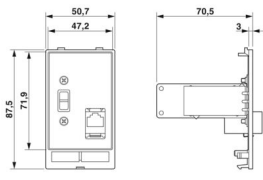
### Electrical properties

Rated voltage (III/3)	max. 42.4 V DC (RJ45, USB A, UL-Rating)
	max. 30 V AC (RJ45, USB A, UL-Rating)
	48 V AC/DC (USB A)
Rated current	1.5 A (USB A)
	175 mA (RJ45)
Transmission speed	max. 5 Gbps (USB-A 3.0)

### Connection data

Tightening torque	0.8 ... 1 Nm
-------------------	--------------

### Dimensions

Dimensional drawing	
Width	50.7 mm
Height	87.5 mm
Depth	60 mm

### Material specifications

Material Data front plate	PBT (Data front plate)
---------------------------	------------------------

### Connector

Contact insert design	with 1x RJ45 Socket/socket, snap-in slot locking
	with 1x USB A 3.0 Socket/socket, snap-in slot locking

### Environmental and real-life conditions

#### Ambient conditions

Degree of protection	IP20
Ambient temperature (operation)	-10 °C ... 60 °C

# SI-FP-R1A-U1A - Data front plate



1404499

<https://www.phoenixcontact.com/us/products/1404499>

## Mounting

Assembly note

suitable for all mounting frames

# SI-FP-R1A-U1A - Data front plate

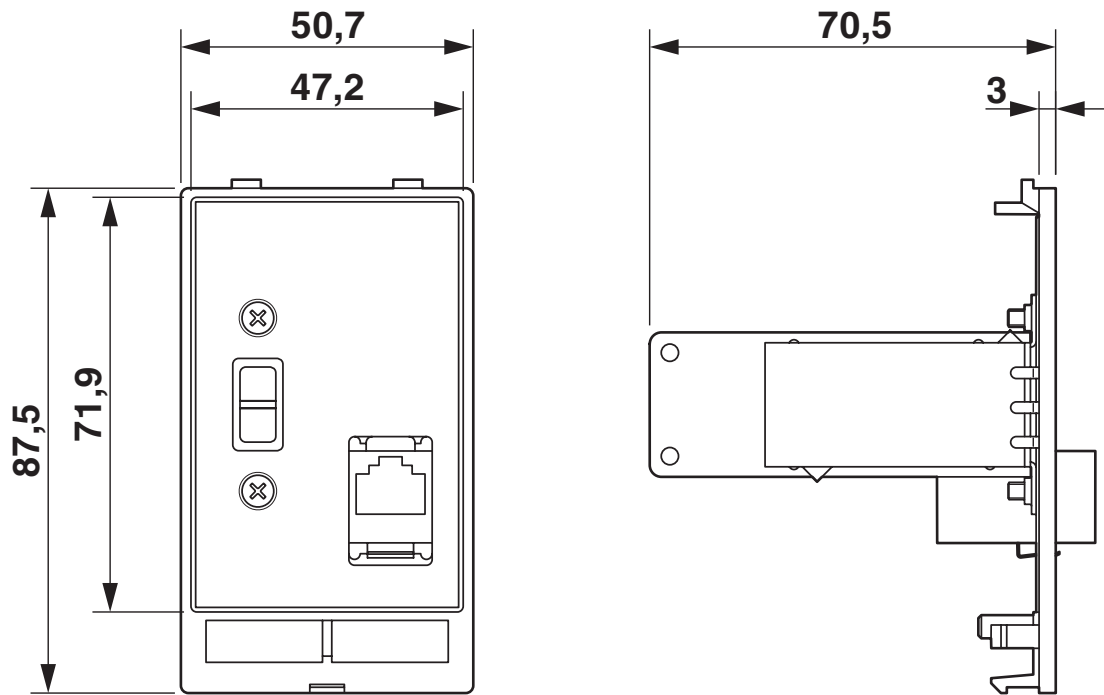


1404499

<https://www.phoenixcontact.com/us/products/1404499>

## Drawings

Dimensional drawing



Dimensional drawing

# SI-FP-R1A-U1A - Data front plate



1404499

<https://www.phoenixcontact.com/us/products/1404499>

## Approvals

To download certificates, visit the product detail page: <https://www.phoenixcontact.com/us/products/1404499>



**cUL Recognized**

Approval ID: E238705



**UL Recognized**

Approval ID: E238705



**EAC**

Approval ID: RU C-DE.A\*30.B.01102

# SI-FP-R1A-U1A - Data front plate



1404499

<https://www.phoenixcontact.com/us/products/1404499>

## Classifications

### ECLASS

ECLASS-13.0	27182806
ECLASS-15.0	27182806

### ETIM

ETIM 10.0	EC000456
-----------	----------

### UNSPSC

UNSPSC 21.0	39121300
-------------	----------

# SI-FP-R1A-U1A - Data front plate



1404499

<https://www.phoenixcontact.com/us/products/1404499>

## Environmental product compliance

### EU RoHS

Fulfills EU RoHS substance requirements	Yes, No exemptions
---	--------------------

### China RoHS

Environment friendly use period (EFUP)	EFUP-E
	No hazardous substances above the limits

### EU REACH SVHC

REACH candidate substance (CAS No.)	No substance above 0.1 wt%
-------------------------------------	----------------------------

Phoenix Contact 2026 © - all rights reserved  
<https://www.phoenixcontact.com>

Phoenix Contact USA  
586 Fulling Mill Road  
Middletown, PA 17057, United States  
(+717) 944-1300  
[info@phoenixcon.com](mailto:info@phoenixcon.com)