

SI-FP-R1A-U1A-D1A - Data front plate



1404497

<https://www.phoenixcontact.com/us/products/1404497>

Please be informed that the data shown in this PDF document is generated from our online catalog. Please find the complete data in the user documentation. Our general terms of use for downloads are valid.



Data front plate with contact inserts, plastic with shielding plate, 1 x RJ45, 8-pos. metal, CAT5e (socket/socket); 1 x USB (socket/socket) type A; 1 x 9-pos. D-SUB (socket/socket)

Commercial data

Item number	1404497
Packing unit	1 pc
Minimum order quantity	1 pc
Sales key	BF70
Product key	AF7EDX
GTIN	4046356698405
Weight per piece (including packing)	76 g
Weight per piece (excluding packing)	75.8 g
Customs tariff number	85366990
Country of origin	CZ

SI-FP-R1A-U1A-D1A - Data front plate



1404497

<https://www.phoenixcontact.com/us/products/1404497>

Technical data

Notes

Assembly note	Strain relief USB internal: cable tie
---------------	---------------------------------------

Product properties

Product type	Data front plate
Number of slots	3
Shielded	yes

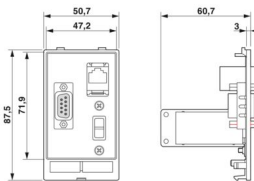
Electrical properties

Rated voltage (III/3)	max. 48 V AC/DC (D-SUB 9, USB A)
	max. 42.4 V DC (D-SUB 9, USB A, RJ45, UL rating)
	max. 30 V AC (D-SUB 9, USB A, RJ45, UL rating)
Rated current	3 A (D-SUB 9)
	1.5 A (USB A)
	max. 175 mA (RJ45, UL rating)
Transmission speed	max. 5 Gbps (USB A 3.0)

Connection data

Tightening torque	0.8 ... 1 Nm
-------------------	--------------

Dimensions

Dimensional drawing	
Width	50.7 mm
Height	87.5 mm
Depth	60 mm

Material specifications

Material Data front plate	PBT (Data front plate)
---------------------------	------------------------

Connector

Contact insert design	with 1x D-SUB 9 Socket/socket, slot locking UNC 4...40 bolts
	with 1x RJ45 Socket/socket, snap-in slot locking
	with 1x USB A 3.0 Socket/socket, snap-in slot locking

Environmental and real-life conditions

Ambient conditions

SI-FP-R1A-U1A-D1A - Data front plate



1404497

<https://www.phoenixcontact.com/us/products/1404497>

Degree of protection	IP20
Ambient temperature (operation)	-10 °C ... 60 °C

Mounting

Assembly note	suitable for all mounting frames
---------------	----------------------------------

SI-FP-R1A-U1A-D1A - Data front plate

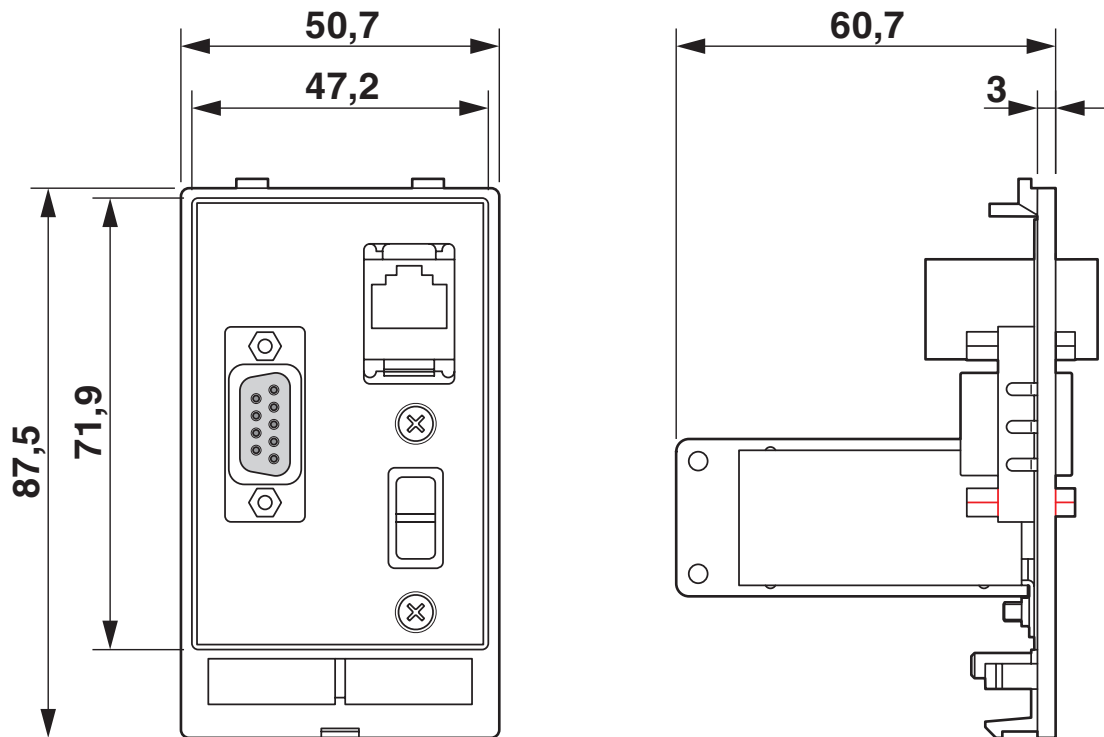


1404497

<https://www.phoenixcontact.com/us/products/1404497>

Drawings

Dimensional drawing



Dimensional drawing

SI-FP-R1A-U1A-D1A - Data front plate



1404497

<https://www.phoenixcontact.com/us/products/1404497>

Approvals

🔗 To download certificates, visit the product detail page: <https://www.phoenixcontact.com/us/products/1404497>



cUL Recognized
Approval ID: E238705



UL Recognized
Approval ID: E238705



EAC
Approval ID: RU C-DE.A*30.B.01102

SI-FP-R1A-U1A-D1A - Data front plate



1404497

<https://www.phoenixcontact.com/us/products/1404497>

Classifications

ECLASS

ECLASS-13.0	27182806
ECLASS-15.0	27182806

ETIM

ETIM 10.0	EC000456
-----------	----------

UNSPSC

UNSPSC 21.0	39121300
-------------	----------

SI-FP-R1A-U1A-D1A - Data front plate



1404497

<https://www.phoenixcontact.com/us/products/1404497>

Environmental product compliance

EU RoHS

Fulfills EU RoHS substance requirements	Yes
Exemption	6(c)

China RoHS

Environment friendly use period (EFUP)	EFUP-50
	An article-related China RoHS declaration table can be found in the download area for the respective article under "Manufacturer declaration". For all articles with EFUP-E, no China RoHS declaration table issued and required.

EU REACH SVHC

REACH candidate substance (CAS No.)	Lead(CAS: 7439-92-1)
SCIP	08e64989-395e-40f6-b52c-a1ac94ae555f

EF3.1 Climate Change

CO2e kg	10.748 kg CO2e
---------	----------------

Phoenix Contact 2026 © - all rights reserved
<https://www.phoenixcontact.com>

Phoenix Contact USA
586 Fulling Mill Road
Middletown, PA 17057, United States
(+717) 944-1300
info@phoenixcon.com