

SI-FP-R1A-D1A - Data front plate



1404496

<https://www.phoenixcontact.com/us/products/1404496>

Please be informed that the data shown in this PDF document is generated from our online catalog. Please find the complete data in the user documentation. Our general terms of use for downloads are valid.

Data front plate with contact inserts, plastic with shielding plate, 1 x RJ45, 8-pos. metal, CAT5e (socket/socket); 1 x 9-pos. D-SUB (socket/socket)



Commercial data

Item number	1404496
Packing unit	1 pc
Minimum order quantity	1 pc
Sales key	BF70
Product key	AF7EDX
GTIN	4046356698399
Weight per piece (including packing)	48.2 g
Weight per piece (excluding packing)	48.2 g
Customs tariff number	85366990
Country of origin	DE

SI-FP-R1A-D1A - Data front plate

1404496

<https://www.phoenixcontact.com/us/products/1404496>

Technical data

Product properties

Product type	Data front plate
Shielded	yes

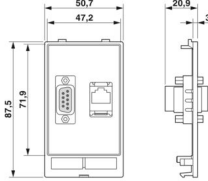
Electrical properties

Rated voltage (III/3)	48 V AC/DC (D-SUB 9)
	max. 42.4 V DC (D-SUB 9, RJ45, UL rating)
	max. 30 V AC (D-SUB 9, RJ45, UL rating)
Rated current	3 A (D-SUB 9)
	max. 175 mA (RJ45, D-SUB 9, UL rating)

Connection data

Tightening torque	0.8 ... 1 Nm
-------------------	--------------

Dimensions

Dimensional drawing	
Width	50.7 mm
Height	87.5 mm
Depth	21 mm

Material specifications

Material Data front plate	PBT (Data front plate)
---------------------------	------------------------

Connector

Contact insert design	with 1x D-SUB 9 Socket/socket, slot locking UNC 4...40 bolts
	with 1x RJ45 Socket/socket, snap-in slot locking

Environmental and real-life conditions

Ambient conditions

Degree of protection	IP20
Ambient temperature (operation)	-10 °C ... 60 °C

Mounting

Assembly note	suitable for all mounting frames
---------------	----------------------------------

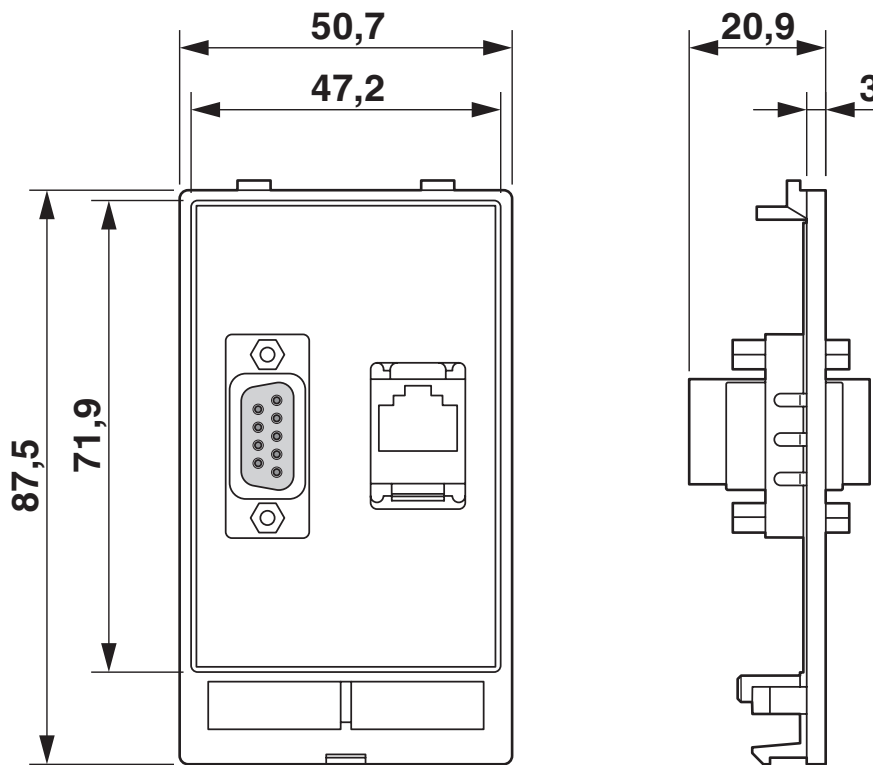
SI-FP-R1A-D1A - Data front plate

1404496

<https://www.phoenixcontact.com/us/products/1404496>

Drawings

Dimensional drawing



Dimensional drawing

SI-FP-R1A-D1A - Data front plate



1404496

<https://www.phoenixcontact.com/us/products/1404496>

Approvals

To download certificates, visit the product detail page: <https://www.phoenixcontact.com/us/products/1404496>



cUL Recognized

Approval ID: E238705



UL Recognized

Approval ID: E238705



EAC

Approval ID: RU C-DE.A*30.B.01102

SI-FP-R1A-D1A - Data front plate



1404496

<https://www.phoenixcontact.com/us/products/1404496>

Classifications

ECLASS

ECLASS-13.0	27182806
ECLASS-15.0	27182806

ETIM

ETIM 10.0	EC000456
-----------	----------

UNSPSC

UNSPSC 21.0	39121300
-------------	----------

SI-FP-R1A-D1A - Data front plate



1404496

<https://www.phoenixcontact.com/us/products/1404496>

Environmental product compliance

EU RoHS

Fulfills EU RoHS substance requirements	Yes
Exemption	6(c)

China RoHS

Environment friendly use period (EFUP)	EFUP-50
	An article-related China RoHS declaration table can be found in the download area for the respective article under "Manufacturer declaration". For all articles with EFUP-E, no China RoHS declaration table issued and required.

EU REACH SVHC

REACH candidate substance (CAS No.)	Lead(CAS: 7439-92-1)
SCIP	2506dce3-ce28-484f-a3b5-8e0a6dad844d

EF3.1 Climate Change

CO2e kg	5.671 kg CO2e
---------	---------------

Phoenix Contact 2026 © - all rights reserved
<https://www.phoenixcontact.com>

Phoenix Contact USA
586 Fulling Mill Road
Middletown, PA 17057, United States
(+717) 944-1300
info@phoenixcon.com