

SI-M1A - Mounting frame

1404493

<https://www.phoenixcontact.com/us/products/1404493>

Please be informed that the data shown in this PDF document is generated from our online catalog. Please find the complete data in the user documentation. Our general terms of use for downloads are valid.



Mounting frame for one front plate/socket, plastic frame: black, plastic cover: transparent, closed with 3 mm two-way key bit and rotary knob, included.

Commercial data

Item number	1404493
Packing unit	1 pc
Minimum order quantity	1 pc
Sales key	BF70
Product key	AF7EAX
GTIN	4046356698269
Weight per piece (including packing)	118 g
Weight per piece (excluding packing)	118 g
Customs tariff number	39269097
Country of origin	DE

SI-M1A - Mounting frame

1404493

<https://www.phoenixcontact.com/us/products/1404493>



Technical data

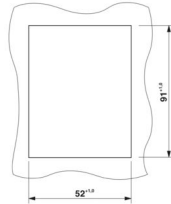
Notes

Note on application	with enclosed rotary knob
---------------------	---------------------------

Product properties

Product type	Mounting frame
--------------	----------------

Dimensions

Dimensional drawing	
Width	66 mm
Depth	34.5 mm
Length	127 mm

Installation dimensions

Width of the assembly cutout	52 mm
Length of the assembly cutout	91 mm

Material specifications

Material Housing	PBT
Flammability rating according to UL 94	V0

Environmental and real-life conditions

Ambient conditions

Degree of protection	IP65
Ambient temperature (operation)	-30 °C ... 70 °C
Ambient temperature (storage/transport)	-30 °C ... 80 °C

Mounting

Assembly note	Suitable for panel thicknesses 1 mm ... 5 mm
---------------	--

SI-M1A - Mounting frame

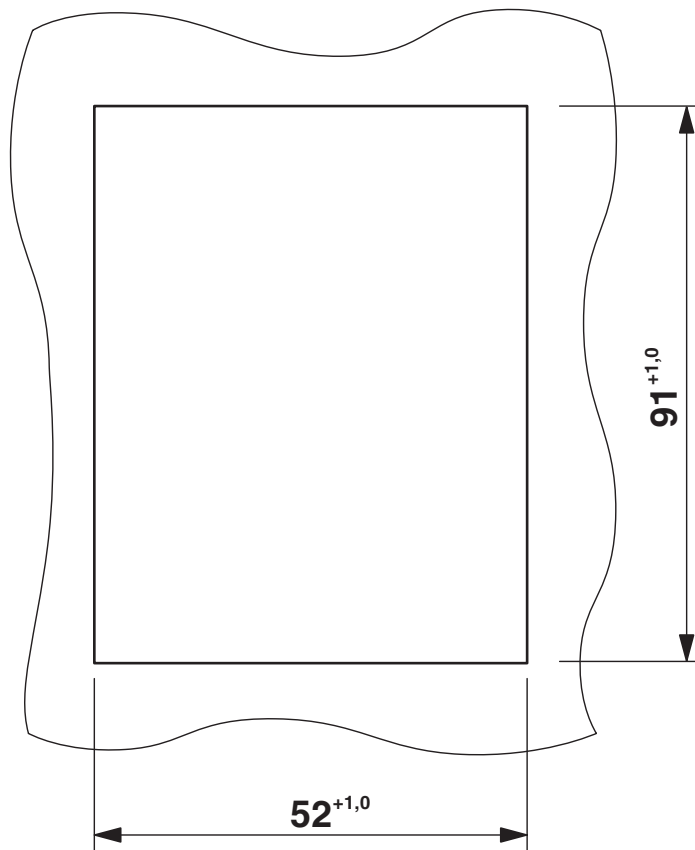
1404493

<https://www.phoenixcontact.com/us/products/1404493>



Drawings

Dimensional drawing



Mounting cutout

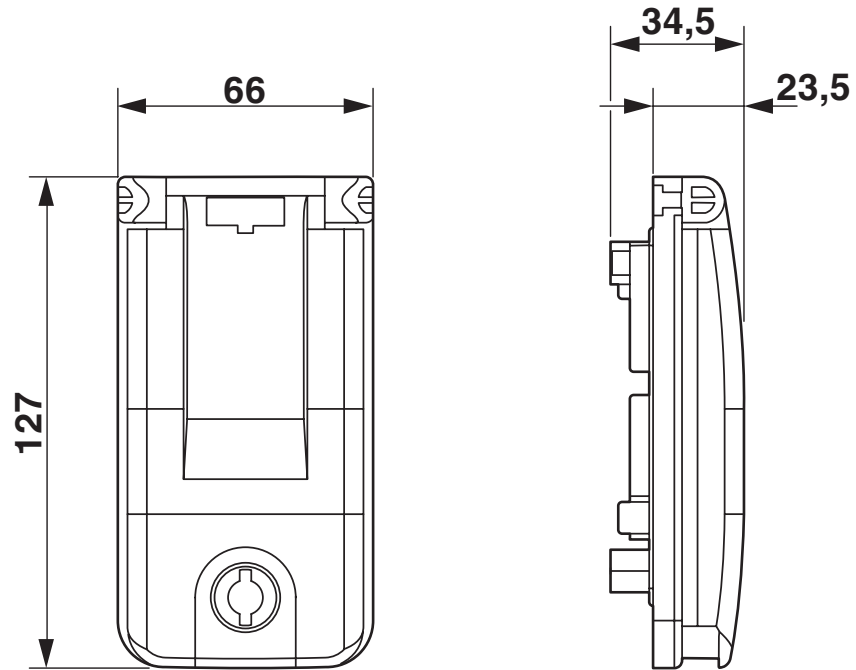
SI-M1A - Mounting frame

1404493

<https://www.phoenixcontact.com/us/products/1404493>



Dimensional drawing



Dimensional drawing

SI-M1A - Mounting frame



1404493

<https://www.phoenixcontact.com/us/products/1404493>

Approvals

To download certificates, visit the product detail page: <https://www.phoenixcontact.com/us/products/1404493>



cUL Recognized

Approval ID: E255026



UL Recognized

Approval ID: E255026



EAC

Approval ID: RU C-DE.A*30.B.01102

SI-M1A - Mounting frame

1404493

<https://www.phoenixcontact.com/us/products/1404493>



Classifications

ECLASS

ECLASS-13.0	27182806
ECLASS-15.0	27182806

ETIM

ETIM 10.0	EC000456
-----------	----------

UNSPSC

UNSPSC 21.0	31261500
-------------	----------

SI-M1A - Mounting frame



1404493

<https://www.phoenixcontact.com/us/products/1404493>

Environmental product compliance

EU RoHS

Fulfills EU RoHS substance requirements	Yes, No exemptions
---	--------------------

China RoHS

Environment friendly use period (EFUP)	EFUP-E
	No hazardous substances above the limits

EU REACH SVHC

REACH candidate substance (CAS No.)	No substance above 0.1 wt%
-------------------------------------	----------------------------

EF3.1 Climate Change

CO2e kg	2.85 kg CO2e
---------	--------------

Phoenix Contact 2026 © - all rights reserved
<https://www.phoenixcontact.com>

Phoenix Contact USA
586 Fulling Mill Road
Middletown, PA 17057, United States
(+717) 944-1300
info@phoenixcon.com