

# VS-ASI-J-Y-N-PUR-2,0-M12FS SCO - Distributor



1404443

<https://www.phoenixcontact.com/us/products/1404443>

Please be informed that the data shown in this PDF document is generated from our online catalog. Please find the complete data in the user documentation. Our general terms of use for downloads are valid.



AS-Interface distributor with IP67 protection for one flat-ribbon conductor, with 2.0 m PUR round conductor and a molded, straight, A-coded, 2-pos. M12 SPEEDCON socket

## Commercial data

Item number	1404443
Packing unit	1 pc
Note	Made to order (non-returnable)
Sales key	BF10
Product key	AF1GFA
GTIN	4046356322270
Weight per piece (including packing)	95.9 g
Weight per piece (excluding packing)	95.001 g
Customs tariff number	85444290
Country of origin	VN

1404443

<https://www.phoenixcontact.com/us/products/1404443>

## Technical data

### Product properties

Product type	Network distributor box
Number of positions	2
Coding	A

### Insulation characteristics

Overvoltage category	II
Degree of pollution	3

### Electrical properties

Nominal voltage $U_N$	$\leq 35$ V DC
Nominal current $I_N$	4 A
Transmission medium	Copper

### Connection data

#### Connection technology

Connection method	AS-i penetration technique
-------------------	----------------------------

### Interfaces

Bus system	AS-Interface
------------	--------------

### Signaling

Status display	no
Status display present	no

### Connector

#### Connection 1

Type	Load center lateral AS-i Screw locking
Number of positions	2
Locking type	Screw locking mechanism
Material	CuZn (Contact) Ni/Au (Contact surface) TPE-U (Contact carrier) PA-GF (Housing) Stainless steel (Screw connection)
Tightening torque	1.65 Nm (Locking screw)

#### Connection 2

Type	Socket straight M12 SPEEDCON
Number of positions	2 (5)
Locking type	SPEEDCON CuSn (Contact)

1404443

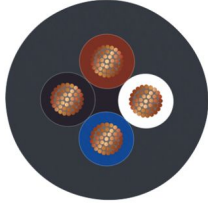
<https://www.phoenixcontact.com/us/products/1404443>

Material	Ni/Au (Contact surface)
	TPU GF (Contact carrier)
	TPU (Grip body)
	Zinc die-cast, nickel-plated (Screw connection)
Insertion/withdrawal cycles	≥ 100
Tightening torque	0.4 Nm

## Cable/line

Cable length	2 m
--------------	-----

### PUR halogen-free black [PUR]

Dimensional drawing	
Cable weight	30 kg/km
UL AWM Style	20549 / 10493 (80°C/300 V)
Number of positions	4
Shielded	no
Cable type	PUR halogen-free black [PUR]
Conductor structure signal line	42x 0.10 mm
AWG signal line	22
Conductor cross-section	4x 0.34 mm <sup>2</sup>
Wire diameter incl. insulation	1.27 mm ±0.02 mm
External cable diameter	4.70 mm ±0.15 mm
Outer sheath, material	PUR
External sheath, color	black-gray RAL 7021
Conductor material	Bare Cu litz wires
Material wire insulation	PP
Single wire, color	brown, white, blue, black
Thickness, insulation	≥ 0.21 mm
Thickness, outer sheath	approx. 0.80 mm
Overall twist	4 wires, twisted
Max. conductor resistance	≤ 58 Ω/km
Insulation resistance	≥ 1 GΩ*km
Nominal voltage, cable	≤ 300 V
Test voltage	≥ 3000 V
Minimum bending radius, fixed installation	5 x D
Minimum bending radius, flexible installation	10 x D
Smallest bending radius, fixed installation	23.5 mm

1404443

<https://www.phoenixcontact.com/us/products/1404443>

Smallest bending radius, movable installation	47 mm
Dynamic load capacity (bending)	Max. bending cycles: 4000000, Bending radius: 47 mm, Bending radius: 10 x D, Traversing path: 10 m, Traversing rate: 3 m/s, Acceleration: 10 m/s <sup>2</sup>
Flexible cable conduit capable	yes
Halogen-free	in accordance with DIN VDE 0472 part 815
	in accordance with DIN EN 50267-2-1
Flame resistance	according to UL 758/1581 (horizontal)
	in accordance with UL 758/1581 FT2
Resistance to oil	in accordance with DIN EN 60811-2-1
Other resistance	Highly resistant to acids, alkaline solutions and solvents
	hydrolysis and microbe resistant
	partly UV-resistant (in accordance with DIN EN ISO 4892-2-A)
	Low adhesion
Special properties	abrasion-resistant
	Flexible cable conduit capable
	Silicone-free
Ambient temperature (operation)	Free of substances which would hinder coating with paint or varnish
	flexible
Ambient temperature (operation)	-40 °C ... 80 °C (cable, fixed installation)
	-25 °C ... 80 °C (Cable, flexible installation)

## Environmental and real-life conditions

### Ambient conditions

Degree of protection	IP65
	IP67
Ambient temperature (operation)	-25 °C ... 75 °C
	-25 °C ... 75 °C (cable, fixed installation)
	-5 °C ... 75 °C (Cable, flexible installation)
Ambient temperature (storage/transport)	-25 °C ... 80 °C

## Standards and regulations

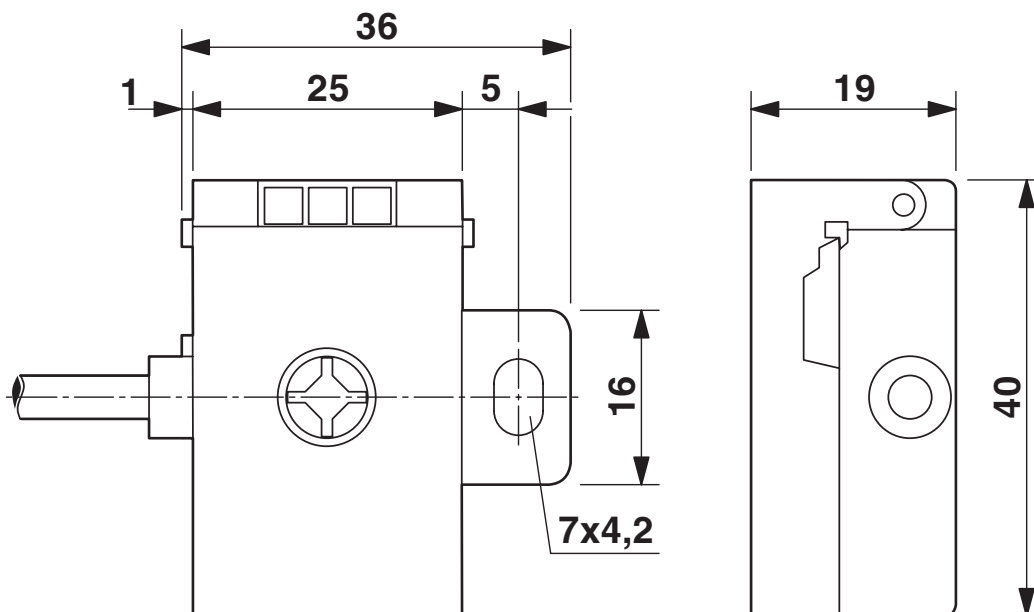
Standard designation	M12 connector
Standards/specifications	IEC 61076-2-101

Drawings

Dimensional drawing



Dimensional drawing



1404443

<https://www.phoenixcontact.com/us/products/1404443>

Schematic diagram



Pin assignment M12, PIN 1: AS-i +, PIN 3: AS-i -, PIN 2,4,5: Not used

1404443

<https://www.phoenixcontact.com/us/products/1404443>

## Classifications

### ECLASS

ECLASS-13.0	27440106
ECLASS-15.0	27440106

1404443

<https://www.phoenixcontact.com/us/products/1404443>

## Environmental product compliance

### EU RoHS

Fulfills EU RoHS substance requirements	Yes, No exemptions
---	--------------------

### China RoHS

Environment friendly use period (EFUP)	EFUP-E
	No hazardous substances above the limits

### EU REACH SVHC

REACH candidate substance (CAS No.)	No substance above 0.1 wt%
-------------------------------------	----------------------------

Phoenix Contact 2026 © - all rights reserved  
<https://www.phoenixcontact.com>

Phoenix Contact USA  
586 Fulling Mill Road  
Middletown, PA 17057, United States  
(+717) 944-1300  
[info@phoenixcon.com](mailto:info@phoenixcon.com)