

VS-MP-PPC/CG-XL-FO - Coupling



1404324

<https://www.phoenixcontact.com/us/products/1404324>

Please be informed that the data shown in this PDF document is generated from our online catalog. Please find the complete data in the user documentation. Our general terms of use for downloads are valid.



Multi-port data connection: push/pull SC-RJ, for passive PROFINET cabling to robots, including mounting foot.

Commercial data

Item number	1404324
Packing unit	1 pc
Note	Made to order (non-returnable)
Sales key	NULL
Product key	ABNOEB
GTIN	4046356709712
Weight per piece (including packing)	253.6 g
Weight per piece (excluding packing)	253.6 g
Customs tariff number	85366990
Country of origin	DE

VS-MP-PPC/CG-XL-FO - Coupling

1404324

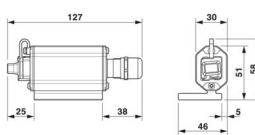
<https://www.phoenixcontact.com/us/products/1404324>

Technical data

Product properties

Product type	Network distributor box
Connection profile	Data: SCRJ

Dimensions

Dimensional drawing	
Width	38 mm
Height	51 mm
Length	115 mm

Material specifications

Housing material	Aluminum press-drawn section / die-cast zinc
------------------	--

Cable/line

External cable diameter	7 mm ... 10.5 mm (Data cable gland)
-------------------------	-------------------------------------

FO cable

Number of fibers	2
------------------	---

Mechanical properties

Mechanical data

Insertion/withdrawal cycles	≥ 500 (Data)
-----------------------------	--------------

Environmental and real-life conditions

Ambient conditions

Degree of protection	IP65
Ambient temperature (operation)	-40 °C ... 70 °C

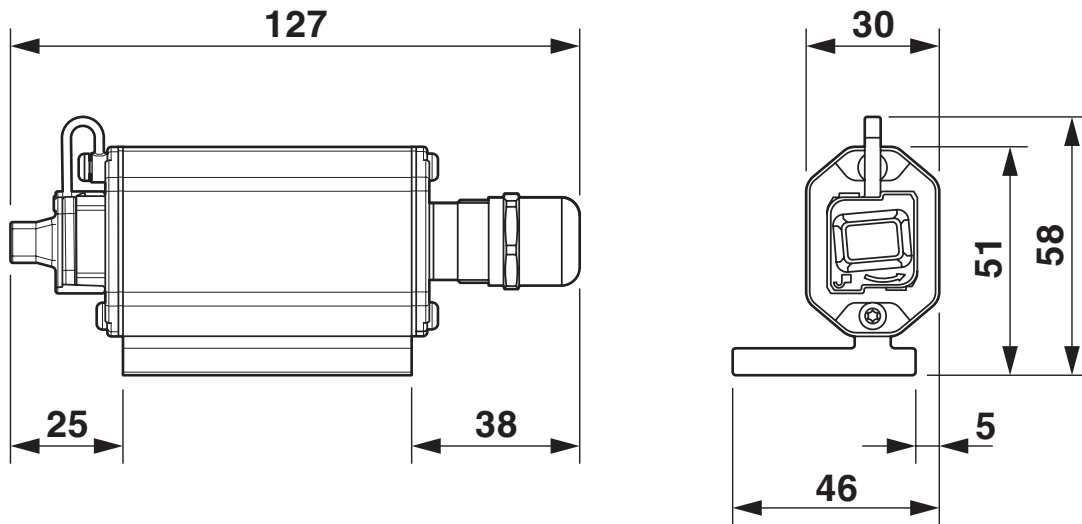
VS-MP-PPC/CG-XL-FO - Coupling

1404324

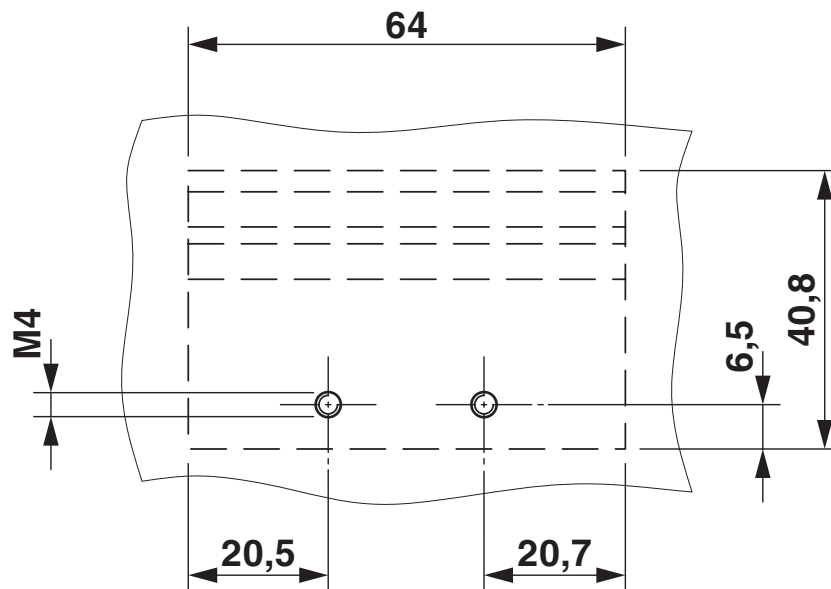
<https://www.phoenixcontact.com/us/products/1404324>

Drawings

Dimensional drawing



Drilling plan/solder pad geometry



VS-MP-PPC/CG-XL-FO - Coupling



1404324

<https://www.phoenixcontact.com/us/products/1404324>

Environmental product compliance

China RoHS

Environment friendly use period (EFUP)	EFUP-50
	An article-related China RoHS declaration table can be found in the download area for the respective article under "Manufacturer declaration". For all articles with EFUP-E, no China RoHS declaration table issued and required.

EU REACH SVHC

REACH candidate substance (CAS No.)	No substance above 0.1 wt%
-------------------------------------	----------------------------

Phoenix Contact 2026 © - all rights reserved
<https://www.phoenixcontact.com>

Phoenix Contact USA
586 Fulling Mill Road
Middletown, PA 17057, United States
(+717) 944-1300
info@phoenixcon.com